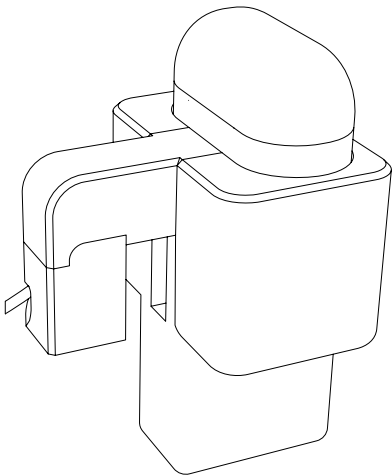


# ALDOCK

DESIGNED TO CHARGE

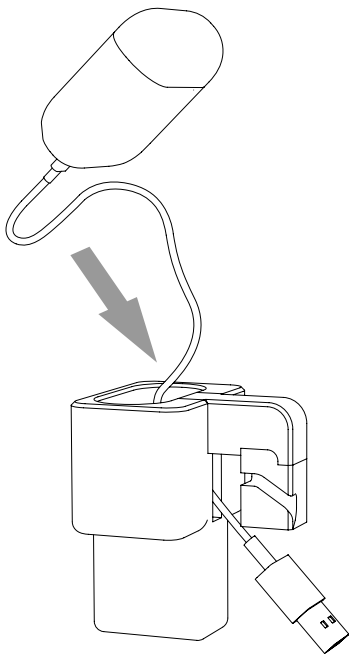


## **ASSEMBLY INSTRUCTIONS**

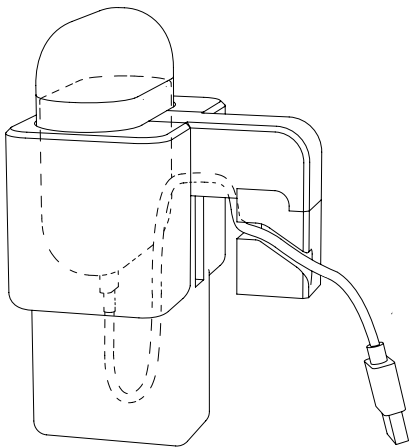
Apple Watch Charger Mount

Bamboo/Walnut

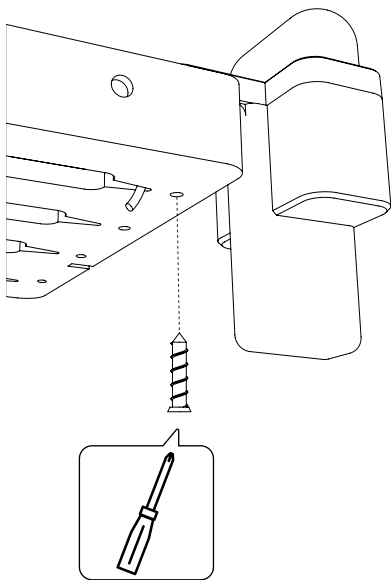
1



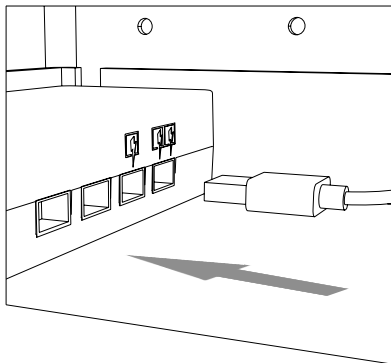
2



**3**



4



# ALDOCK

DESIGNED TO CHARGE

© 2016 ALDOCK. ALL RIGHTS  
RESERVED.

ALDOCK AND THE ALDOCK LOGO ARE  
TRADEMARKS OF DITTRICH DESIGN  
GMBH . PATENT NR. 102013009880.7

[www.alldock.com](http://www.alldock.com)