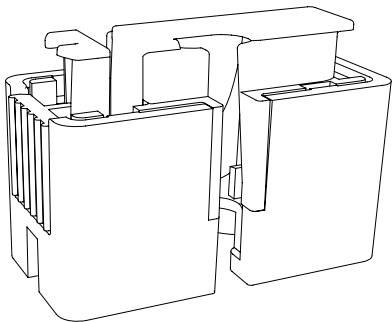


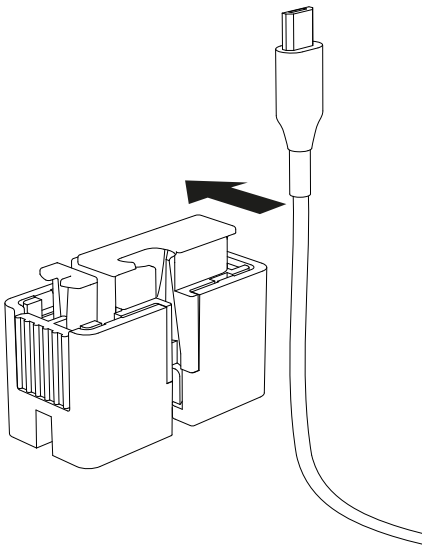
# ALDOCK<sup>®</sup>

DESIGNED TO CHARGE

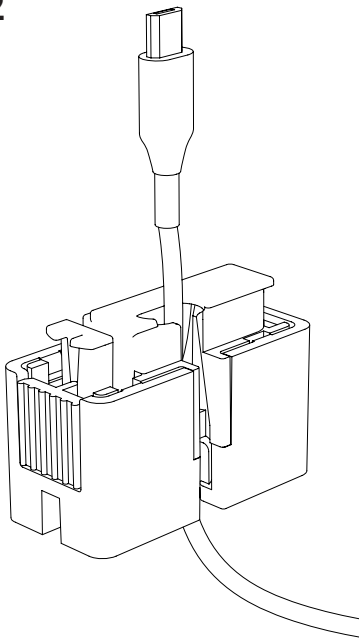


**ASSEMBLY INSTRUCTIONS**  
ONE-HAND-DOCK-ADAPTER

1

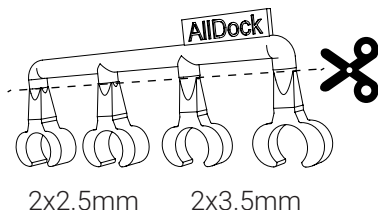


2



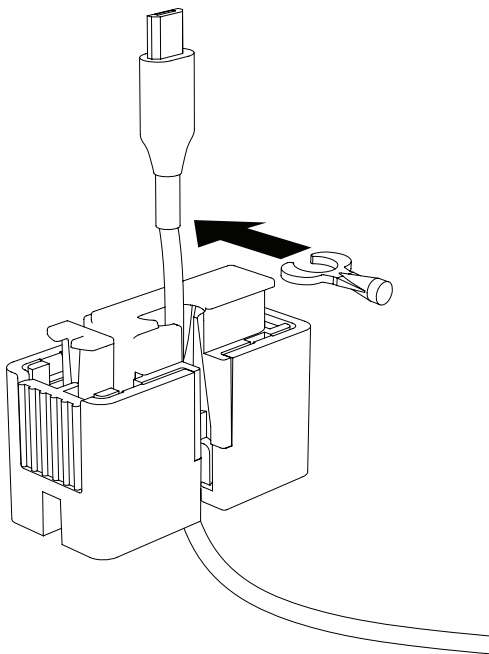
3

rubber inlays

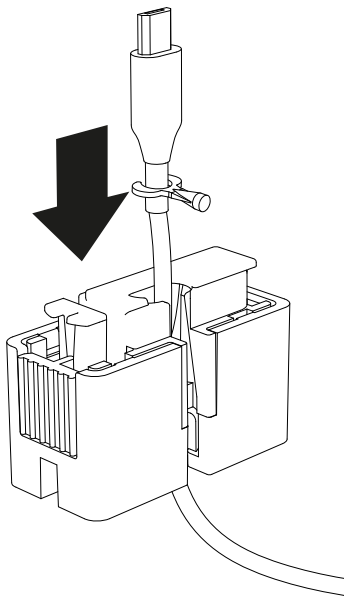


The rubber inlays are provided for the adjustment of the height of the connector to the respective mobile phone protective cover. The thicker the protective cover, the larger the inlays that need to be used.

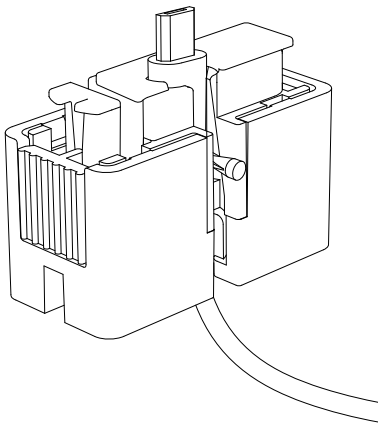
4



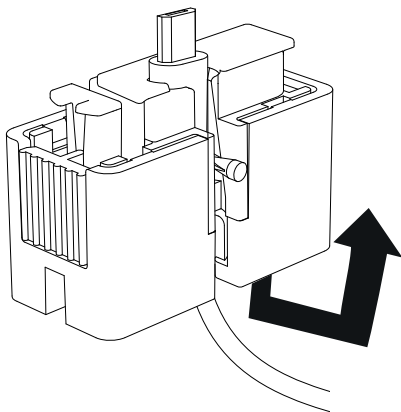
5



6



6

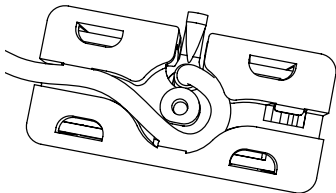


Turn the device upside down.

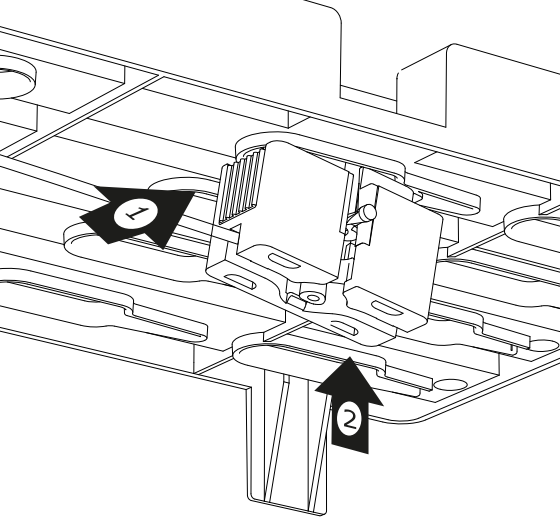


# 7

Wind the cable around the stub on the underside and firmly press the cable into the slot. See the illustration.



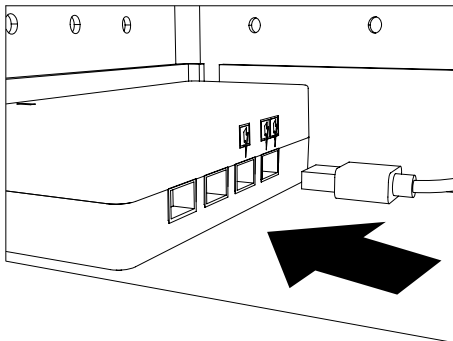
8



Now first press in the one-hand click-in adapter with the lever in the round corner. The lever is flexible and will give slightly. Then press the entire adapter into the opening. The adapter should now be secure in the opening.

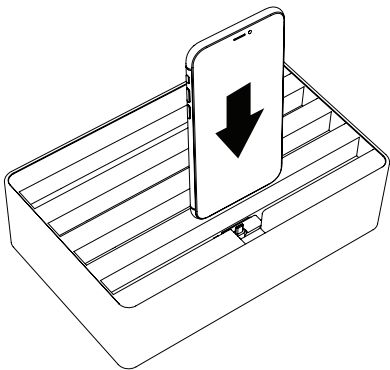
9

Connect the USB cable to the ALLDOCK charging device.



# 10

Close the cover.  
The one-hand click-in  
adapter is now ready for use.



# ALLDOCK®

DESIGNED TO CHARGE

© 2018 ALLDOCK. ALL RIGHTS  
RESERVED.

ALLDOCK AND THE ALLDOCK LOGO ARE  
TRADEMARKS OF DITTRICH DESIGN  
GMBH . PATENT NR. 102013009880.7

[www.alldock.com](http://www.alldock.com)

[www.alldock.de](http://www.alldock.de)