

The Ultimate Blender for bars

Whether preparing blended drinks, simple syrups or purées for cocktail bases, the Barboss® Advance® is an essential tool for adding or expanding a beverage program.

Smart Product Design

- 6 optimized programs and automatic shut-off means you can turn it on, walk away, and achieve consistent results
- Pulse control quickly refreshes drinks for efficiency
- Advance® container creates faster, smoother pouring and has a longer blade life resulting in time and cost savings along with improved customer experience
- Advanced motor is designed to resist overheating when blending extra-thick ingredients resulting in cooler operation and enhanced reliability during peak hours of operation

STANDARD FEATURES:

- Advance Blade
- 0.9 litre high impact clear container
- 6 setting dial switch
- 6 x optimise programs
- Pulse switch

PACK INCLUDES:

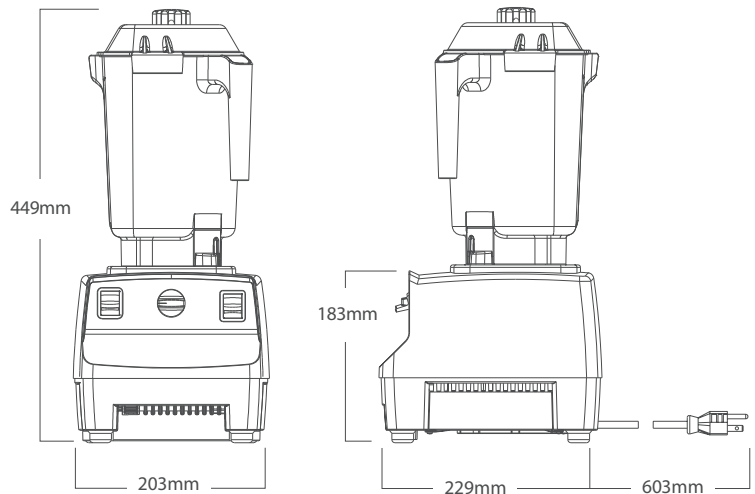
Barboss® Advance® with 0.9 litre high-impact, clear/stackable Advance® container, complete with Advance blade assembly and lid, and red base.



Three year parts and one year labour warranty on motor and base. One year warranty on the container, lid, blade assembly, drive socket and sound enclosure against defects in material and workmanship.

DIMENSIONS	
203W x 229D x 449H mm	
TECHNICAL DATA	
Power Supply:	240V, 50Hz, 10A
Power Output:	750W-850W
Motor:	≈ 2.0HP
Weight:	5.5kg

SPECIFICATIONS ARE SUBJECT TO CHANGE WITHOUT NOTICE.



National Head Office
 156 Swann Drive
 Derrimut VIC 3030
 Tel: +61 3 8369 4600
 Fax: +61 3 8369 4699
www.comcater.com.au

Melbourne
 96-100 Tope Street
 South Melbourne VIC 3205
 Tel: +61 3 8369 4600
 Fax: +61 3 8699 1299

Sydney
 20/4 Avenue of the Americas
 Newington, NSW 2127
 Tel: +61 2 9748 3000
 Fax: +61 2 9648 4762

Brisbane
 1/62 Borthwick Avenue
 Murarrie QLD 4172
 Tel: +61 7 3399 3122
 Fax: +61 7 3399 5311

Perth
 Unit 16, 7 Abrams Street
 Balcatta, WA 6021
 Tel: +61 8 6217 0700
 Fax: +61 8 6217 0799