

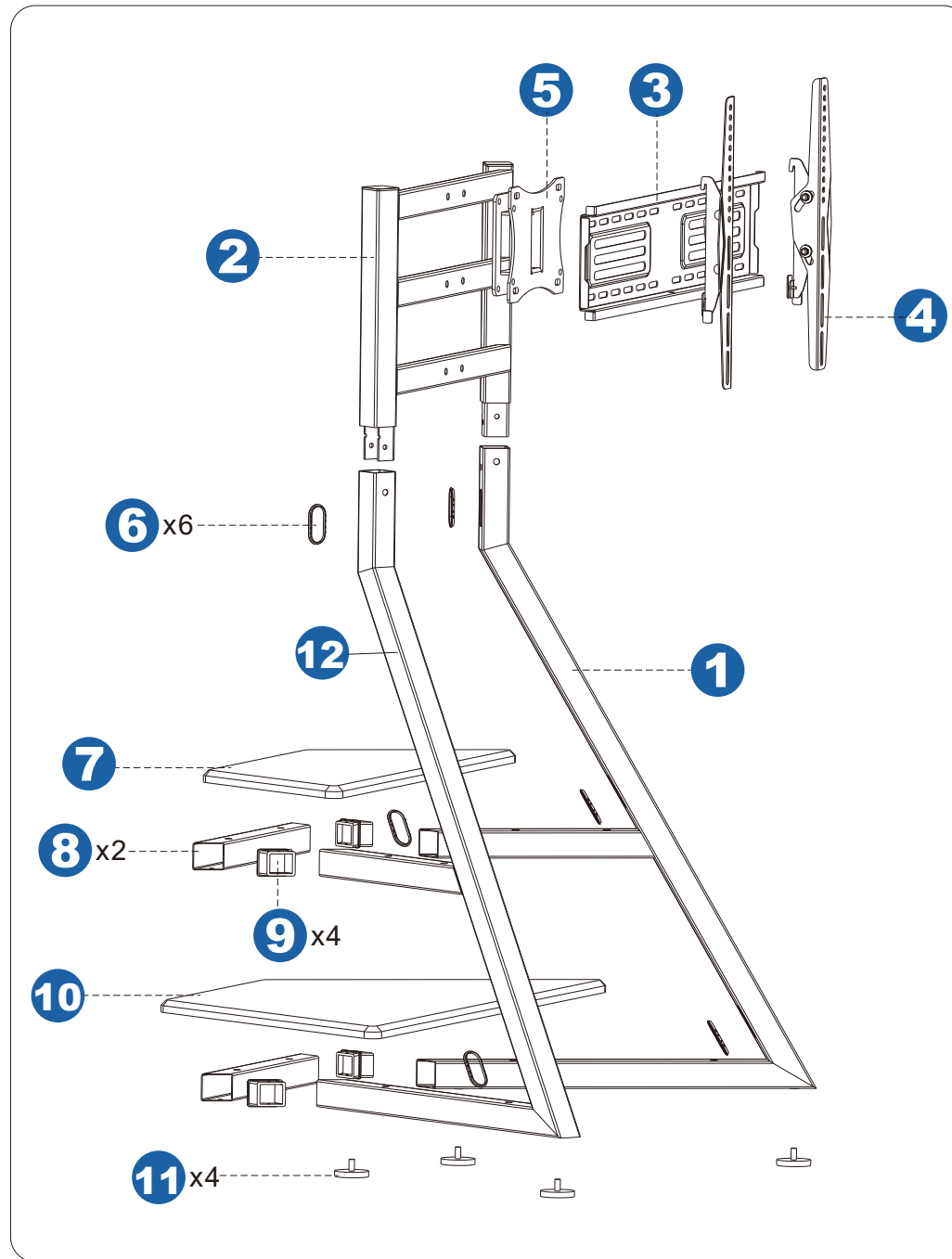
FITUEYES®

FLOOR TV STAND FT75

TT201001MB
TT201002MW



What's in the box



What's in the box

A x6 M8x50	B x6 M8x50	C x8 M5x16
D x10 M8x12	E x8 M8	F x8 Φ20Φ8.5
G x4 M8x35	H x1 13MM 14MM	I x1 5MM
J x1 10MM	GIFT Cable Strap x2 x4	Tools Required (Not included)

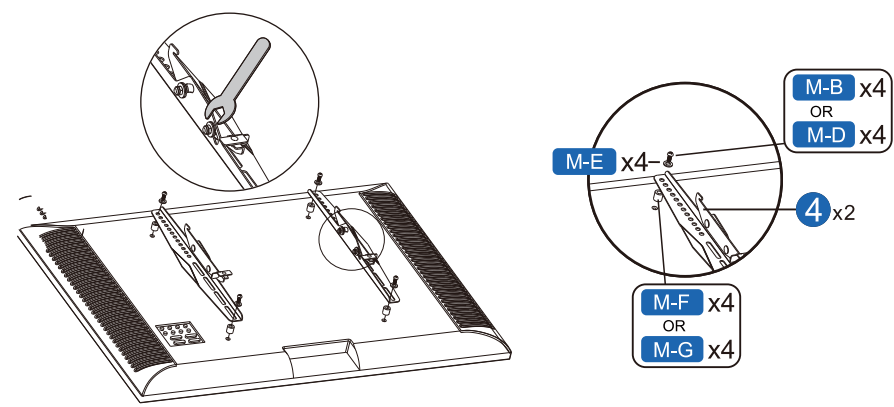
Accessories for installing TV

M-A x4 M6x14	M-B x4 M6x30	M-C x4 M8x20
M-D x4 M8x45	M-E x4 Ø16xØ8.2x1	M-F x4 Ø15xØ8.0x5
M-G x4 Ø15xØ8.0x15		

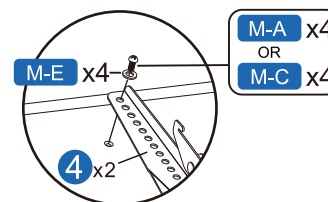
Easy to install

1 (a) For irregular-backed TVs
适用于不规则背板电视
不規則バックプレートテレビへの適用
Für TVs mit unregelmäßigem Rücken

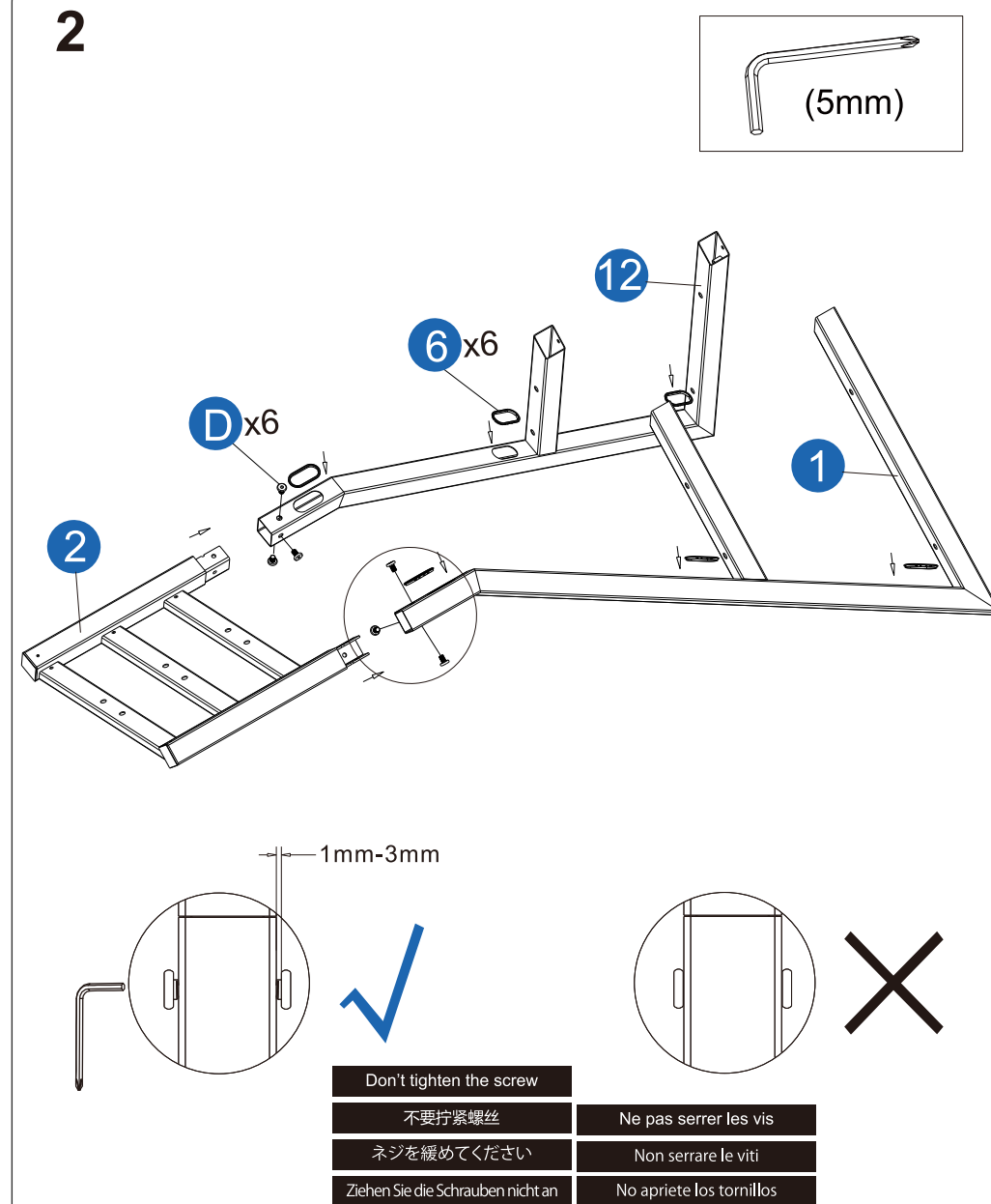
Pour les téléviseurs à dos irrégulier
Per i televisori posteriori irregolari
Para los televisores traseros irregulares



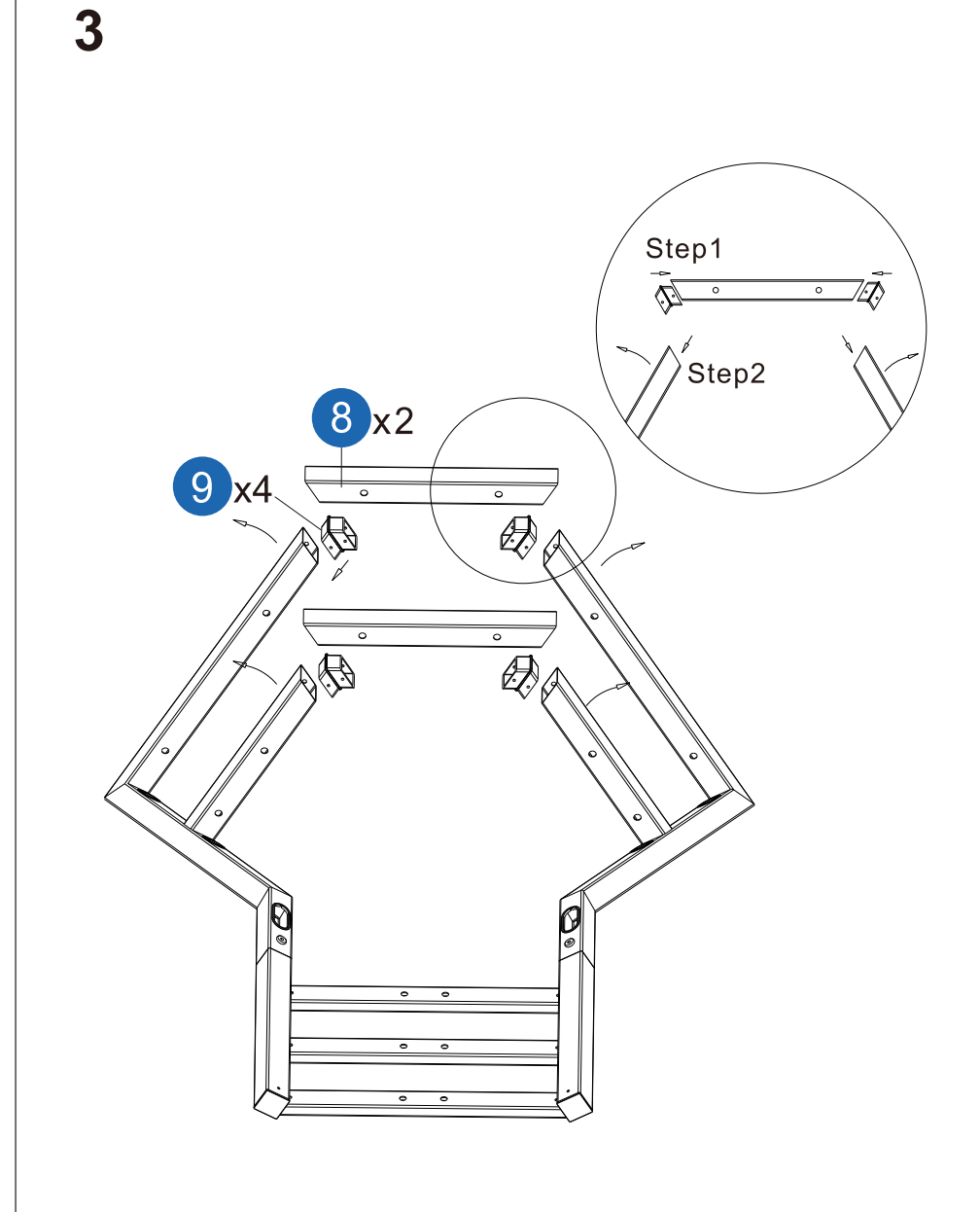
(b) For flat-backed TVs
适用于平底电视
フラットテレビ用
Für flache TVs
Pour les téléviseurs à dos plat
Per i televisori a schermo piatto
Para los televisores de pantalla plana



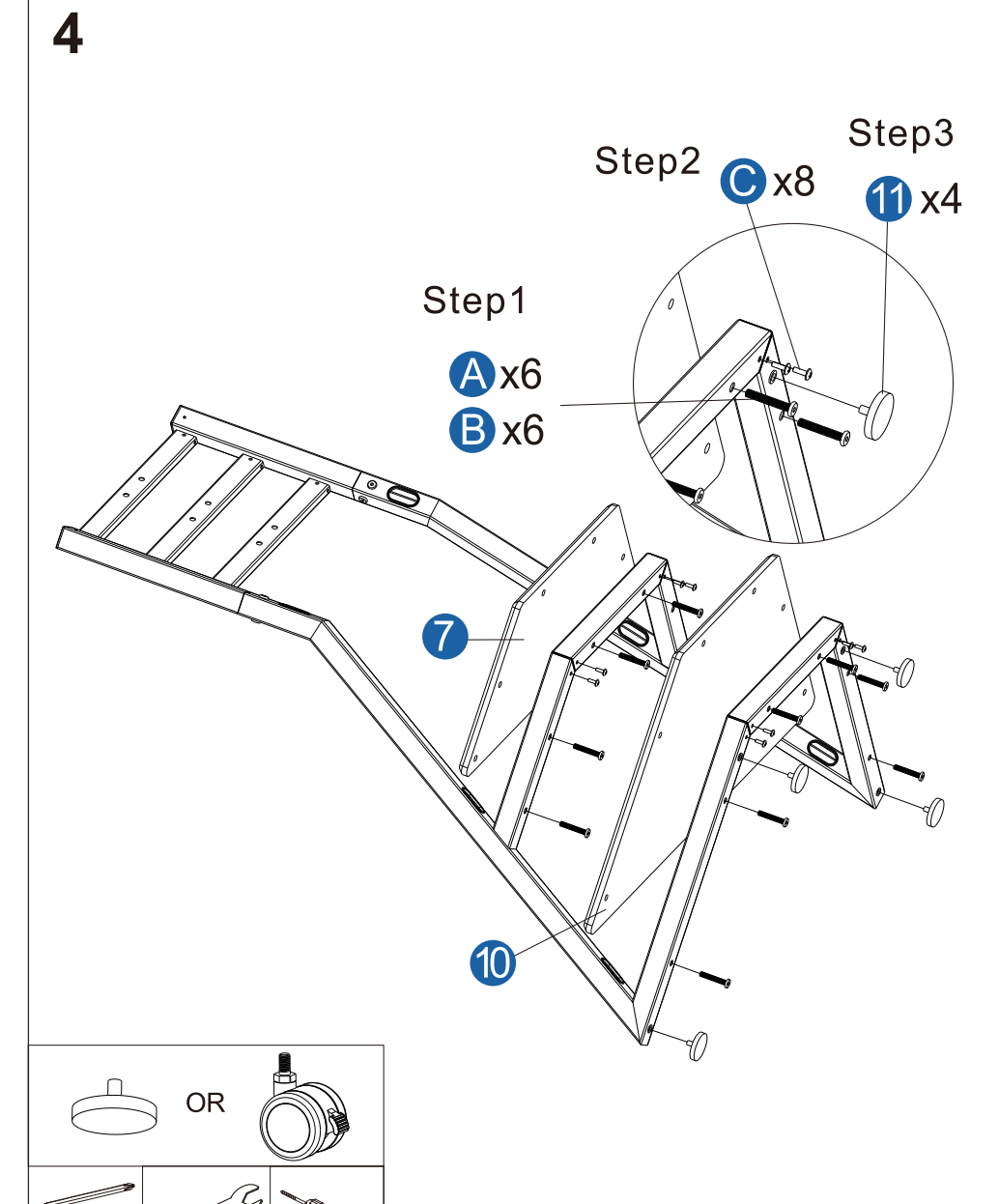
Easy to install



Easy to install

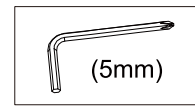


Easy to install

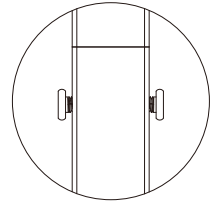


Easy to install

5



(5mm)



Tighten the screws

拧紧螺丝

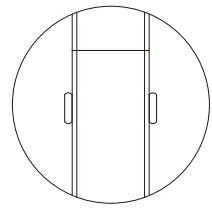
ネジをしっかりと締めてください

Ziehen Sie die Schrauben an

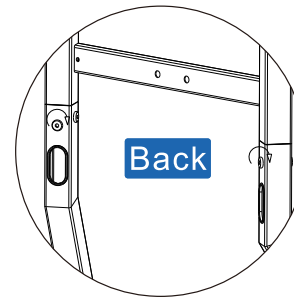
Serrer les vis

Serrare le viti

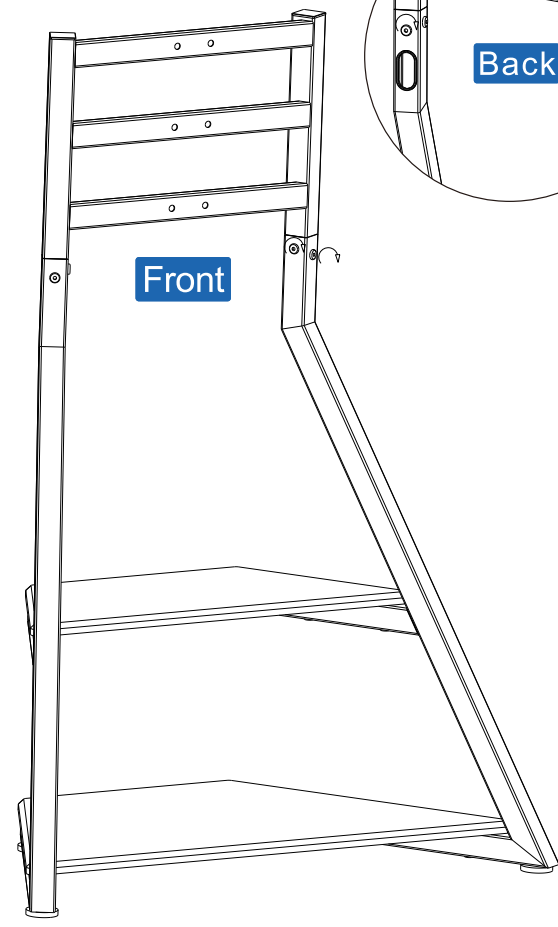
Apretar los tornillos



Front



Back



Easy to install

6



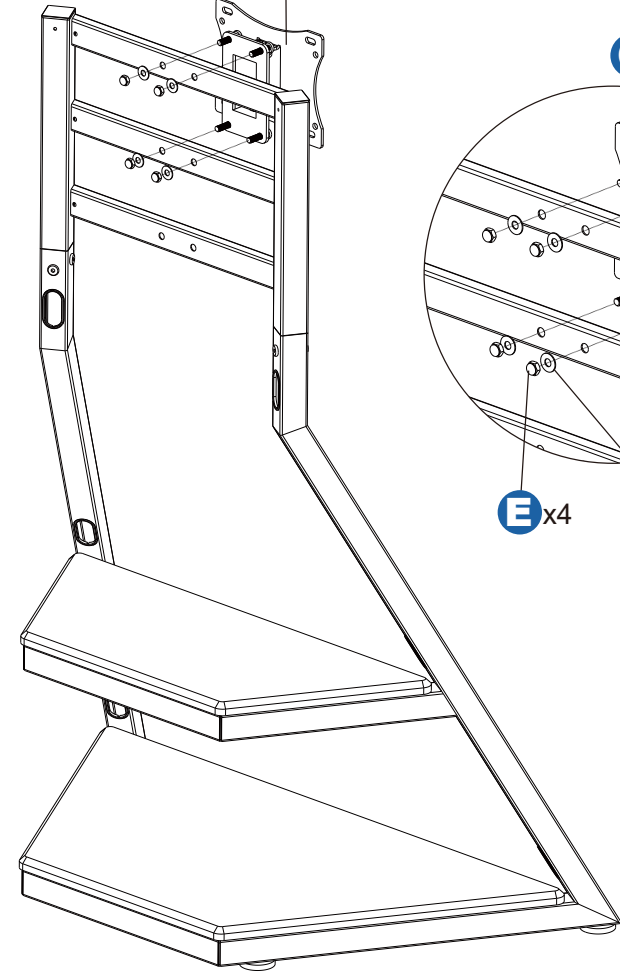
(5mm)



(13mm)

(14mm)

5



G x4

E x4

F x4

Easy to install

7



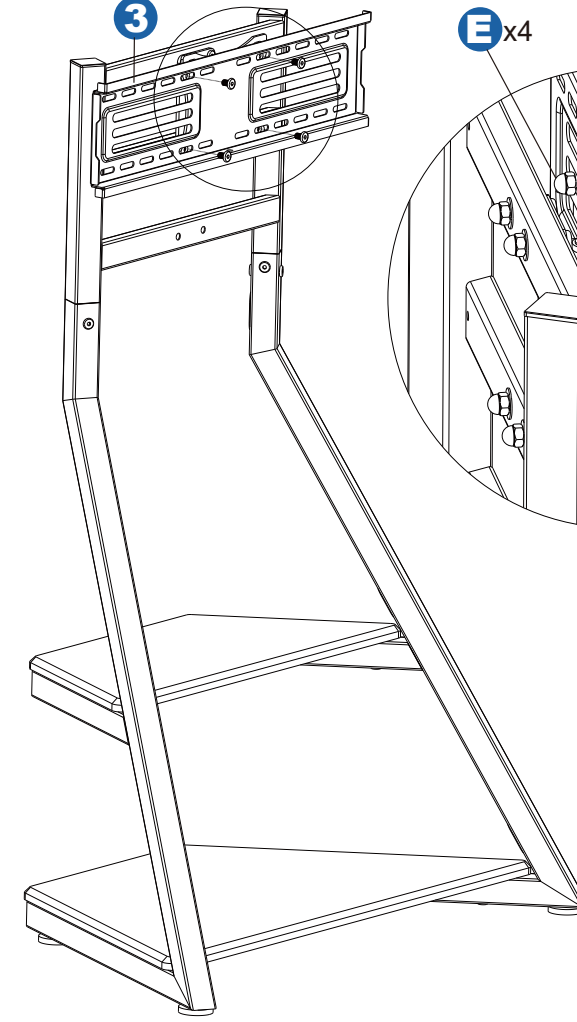
(5mm)



(13mm)

(14mm)

3



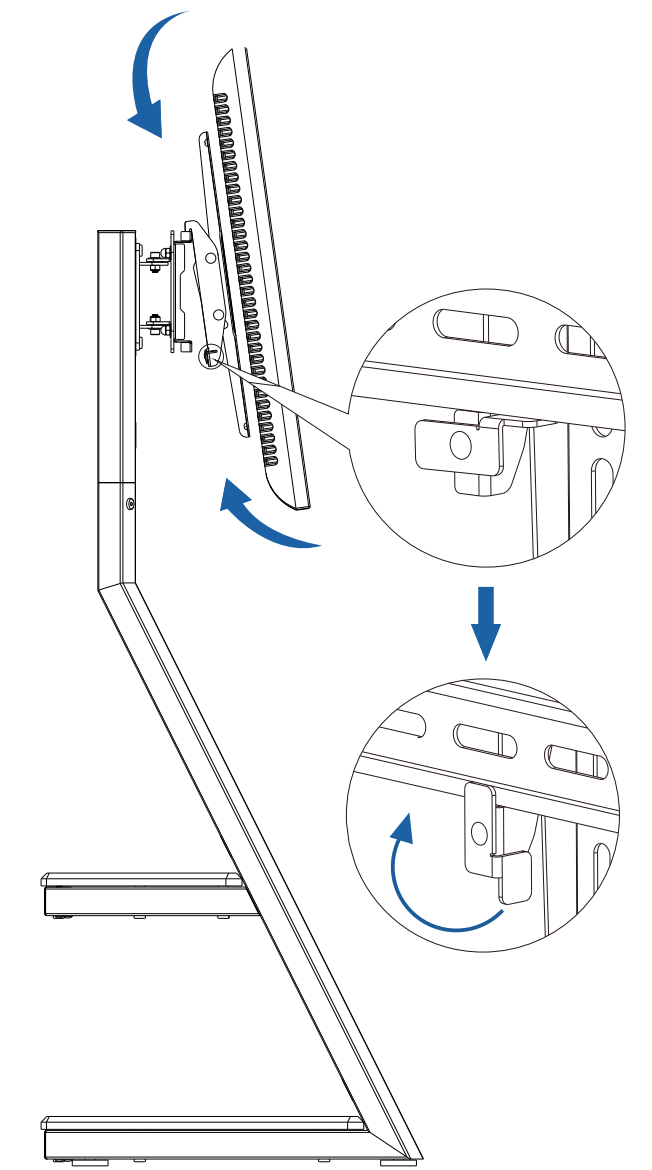
E x4

D x4

F x4

Easy to install

8



Easy to install

9

