

Operator's Manual



ELAN STRAIGHT STAIRLIFT **SRE-3050**

11-01-19
P/N 3050-O

(Spanish / español / espagnol 19)
(French / français / français 37)



PRODUCT REGISTRATION FORM



The image shows a product registration form for Bruno. On the left is a photograph of a white Bruno stairlift. The form is titled 'PRODUCT REGISTRATION' and includes a 'Made in USA' logo. A large 'SAMPLE' watermark is overlaid diagonally across the form. The form contains the following fields and instructions:

PRODUCT REGISTRATION  Made in USA

Please fill out and return this card or register online.

First Name: _____ Last: _____

Address: _____ City: _____

State/Province: _____ Zip/Postal Code: _____

Phone: (____) _____ Email Address: _____

Date of Purchase (m/dd/yyyy): _____

Rate your Bruno dealer:

excellent good average poor

Rate your Bruno product:

excellent good average poor

Register online at bruno.com/warranty



Bruno is pleased to provide you with this mobility-enhancing product.

The Product Registration Form is shipped in a plastic bag with this manual. It is very important that you fill out and return this form at your earliest convenience so that we may complete the warranty registration process for your unit.

The **serial number** is found on labels affixed to the manual, as well as on the unit itself.

Serial and model numbers must be provided when filing a warranty claim, requesting service or ordering parts. We encourage you to keep this information readily available at all times.

Please Note:

The warranty for the SRE-3050 Stairlift is rendered null and void if the unit is installed or maintained by anyone other than an authorized Bruno dealer.

Regulatory Information and Specifications4
Safety.5
Circuit Breaker.6
Seating.6
Operation 7-12
 Standard Swivel Seat7
 Optional Power Swivel Seat8
 Optional Power Footrest.9
 Optional Manual Folding Rail10
 Optional Power Folding Rail 11-12
Battery Charger13
 Charging13
 LEDs.13
Transmitters14
Maintenance15
Troubleshooting16
Vacation and Long-Term Storage17
Warranty.18



This lift is intended to be installed in accordance with the current edition of:

- EN 81-40:2008 Safety rules for the construction and installation of lifts - Special lifts for the transport of persons and goods - Part 40: Stairlifts and inclined lifting platforms intended for persons with impaired mobility
- ASME A18.1:2017 Safety Standard for Platform Lifts and Stairway Chairlifts
- CAN/CSA-B613-00 (R2012) - Private Residence Lifts for Persons With Physical Disabilities
- ASME A17.5/CSA B44.1 - 2019 Elevator and Escalator Electrical Equipment
- NFPA 70: National Electrical Code®
- CSA C22.1 Canadian Electrical Code

Verify applicable local codes with the appropriate regulatory authorities.

SPECIFICATIONS

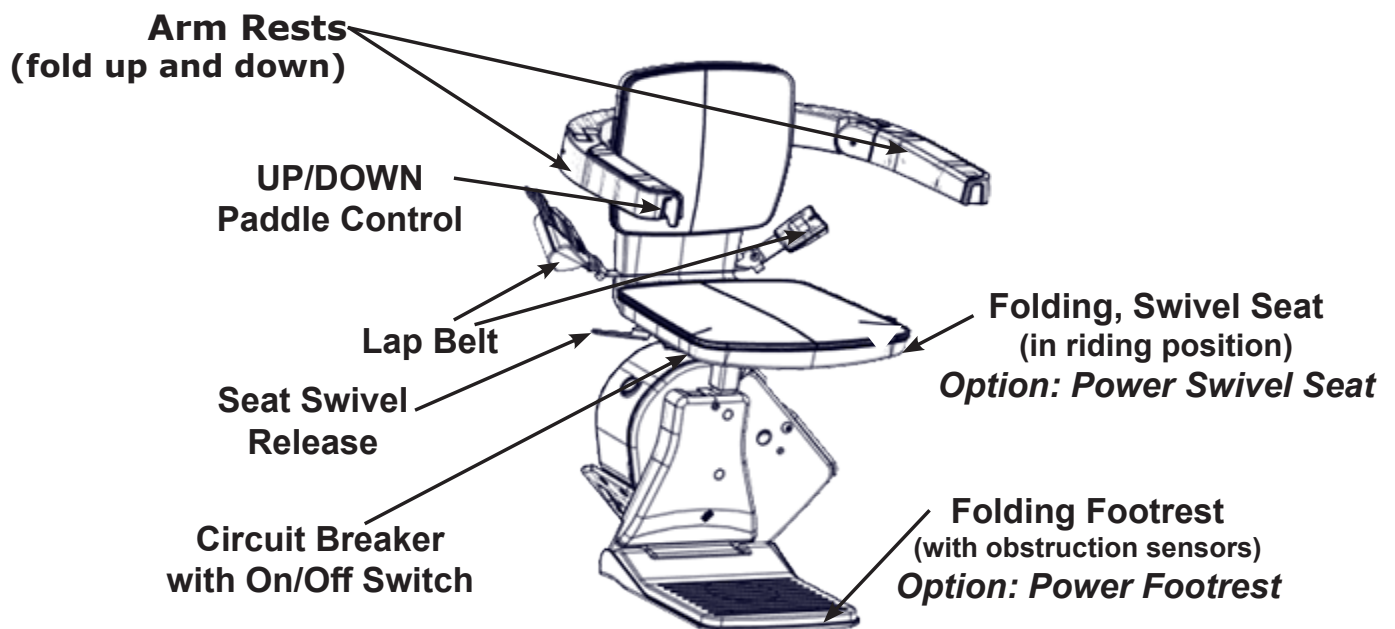
<i>Weight Capacity:</i>	300 lbs. (136 kg)
<i>Control:</i>	constant pressure (armrest and two remotes)
<i>Maximum Incline:</i>	45 degrees, specials to 52 degrees
<i>Seat Swivel:</i>	0, 67 and 90 degrees at top landing only
<i>Battery Charger:</i>	120VAC, 60 Hz, 0.35A input; 24VDC, 1A output, continuous monitoring

The SRE-3050 Elan is NOT recommended for these type of users:

- Those who use a scoot-pivot transfer from a wheelchair without weight bearing through their legs, whose full body weight is placed on a single stairlift armrest.
- Those with leg weakness, during stand to sit transfer, whose knees buckle with uncontrolled lowering to the stairlift seat.

For the above type of users, the SRE-2010 Elite IS recommended.

COMPONENTS OF THE SRE-3050



FOR YOUR SAFETY

- Read and understand the operating instructions, and all safety precautions prior to using the SRE-3050.
- Be sure stairs are clear of objects before operating the stairlift.
- Always be aware of the surface onto which you are stepping as you get on and off the stairlift.
- Avoid carrying items with you on the stairlift which could hinder movement of the stairlift up and down the stairs.
- Do not wear LOOSE clothing that could interfere with stairlift movement.
- Fasten your lap belt before operating the stairlift.
- Make sure the seat is locked in the correct riding position.
- Be sure that the seat swivel path is clear before swiveling in or out of the ride position, and before repositioning the seat.
- Be certain the seat swivel is locked in place before attempting to get on or off the stairlift.
- Make certain that there are no obstacles that would prevent complete raising/lowering of the optional power footrest (if unit is so equipped).
- NON-AMBULATORY USERS: Bruno recommends carrying a cellular or cordless telephone or an emergency communication device when riding the stairlift while alone in the house.

Each stairlift is designed to travel down the stairway at a slightly slower speed than is the case when travelling UP.

The footrest is equipped with *obstruction sensors* which stop the carriage if an obstacle is encountered on the stairs.

If this should occur, press the opposite side of the UP/DOWN paddle control (on the armrest) to run the carriage in the opposite direction. Clear the obstacle from the stairway or rail then resume travel in the desired direction.

Your SRE-3050 is battery powered and will continue to operate for some time during a power outage. The length of operation will depend on the battery condition, the length of the stairs and the weight of the rider.

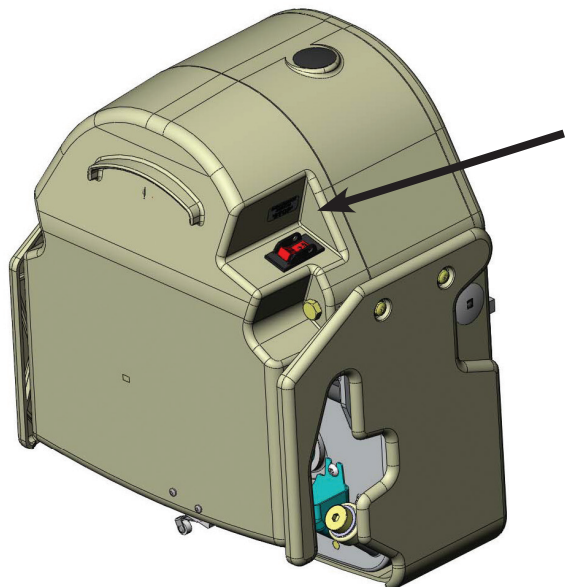
Only in the event of a prolonged power outage (more than one hour) will it be necessary to turn the power off (circuit breaker switch on the carriage) and turn off or unplug the charger from the wall outlet to conserve battery charge.

The ***power swivel seat option*** is equipped with current overload sensing to prevent further seat swivel if a jam is detected.

The ***power footrest option*** is equipped with current overload sensing that will cause the footrest to return to its last position if a jam is detected.

The ***power folding rail option*** is equipped with current overload sensing to prevent damage if an obstruction or jam is detected.

CIRCUIT BREAKER



The SRE-3050 includes a circuit breaker with a built-in ON/OFF switch located on the back side of the carriage.

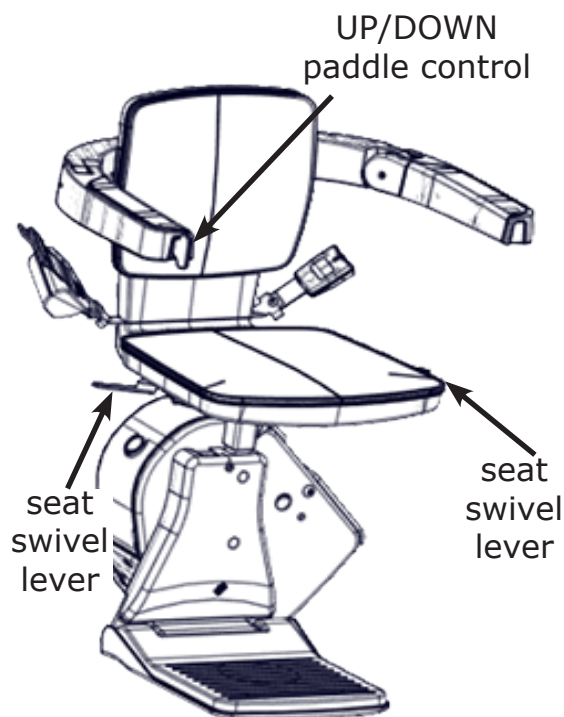
The circuit breaker protects the battery, controller and motor circuits in the stairlift carriage.

It is unlikely that this circuit breaker will trip during normal use. However, if the stairlift becomes inoperative, check the circuit breaker as a first troubleshooting step. Reset it, if necessary.

Possible causes of circuit breaker tripping:

- foreign object jamming the rail or gear rack;
- exceeding the rated weight capacity of the stairlift.

SEATING



The seat assembly on the SRE-3050 is designed to swivel and to lock at 0, 67 and 90 degrees.

Pushing down on either side of the swivel lever allows you to swivel the seat to a convenient position for transferring into or out of the seat.

Once you release the swivel lever, the seat will lock at the next available position.

To lower the seat assembly from a folded position to the riding position, simply push down on the seat.

STANDARD SWIVEL SEAT

The SRE-3050 includes a "**soft-start**" feature which prevents the unit from moving abruptly the instant the UP/DOWN paddle control is pressed.

Press and hold the paddle control for a moment to begin the gentle acceleration of the stairlift to operating speed.

Depressing and holding the paddle control will cause the carriage to move until the carriage stops automatically at the upper or lower end of the stair rail, or until the switch is released.

Two (2) remotes enable you to move the carriage to or from either end of the stair rail.

Remotes are designed to call / send an **empty seat only!** The remotes are NOT designed to move a seat with a person on board.

1. Position yourself in the seat.
2. Fasten the lap belt.
3. Depress and hold the seat swivel lever.
4. Rotate the seat so that you are at right angles to the rail (with your back to the stairway wall).
5. Release the seat swivel lever to secure the seat in that position.
A safety switch prevents operation of the SRE-3050 unless the seat is locked in position at right angles to the rail (the "riding" position).
6. Lower both armrests completely.
7. Position both feet securely on the footrest and place your arms on the armrests.
8. Press and hold the paddle control (located on the front edge of one of the armrests) to travel UP / DOWN the rail.
9. Once you have reached the top or bottom landing, release the paddle control.
10. Depress and hold the seat swivel lever as you rotate to the position for transferring from the seat.
NOTE: The seat will only swivel at the top landing.
11. Release the seat swivel lever and allow the seat to lock in this position.
12. Unbuckle the lap belt and carefully exit the seat.

POWER SWIVEL SEAT (optional)

1. Position yourself in the seat.
2. Fasten the lap belt.
3. Position both feet securely on the footrest and place your arms on the armrests.
4. Press and hold the paddle control (located on the front edge of one of the armrests) to travel UP / DOWN the rail.
5. Once you have reached the top or bottom landing, release the paddle control.
6. To rotate the seat **at the top landing**, press the paddle control again on the same side.
7. Release the paddle control when you have fully rotated out.
8. Unbuckle the lap belt and carefully exit the seat.

NOTES:

- ***You may use the remotes to return the rotated power seat back to the ride position.***
- ***If the unit stops unexpectedly while traveling, check for obstructions or excessive loading. You will only be able to run the unit in the opposite direction until the overload is cleared.***

POWER FOOTREST (optional)

If your unit is equipped with an optional power footrest, follow the operating instructions indicated below.

1. Raise the seat to raise the footrest to its stored position.
2. Lower the seat to lower the footrest to the ride position.

NOTES:

- ***Do not try to manually raise or lower the footrest. Always raise/lower the footrest by raising/lowering the seat. Failure to follow this instruction could damage the unit.***
- ***If a jam occurs while raising or lowering the footrest, the footrest will attempt to return to its last position. This will produce a sequence error.***

To restore normal footrest operation:

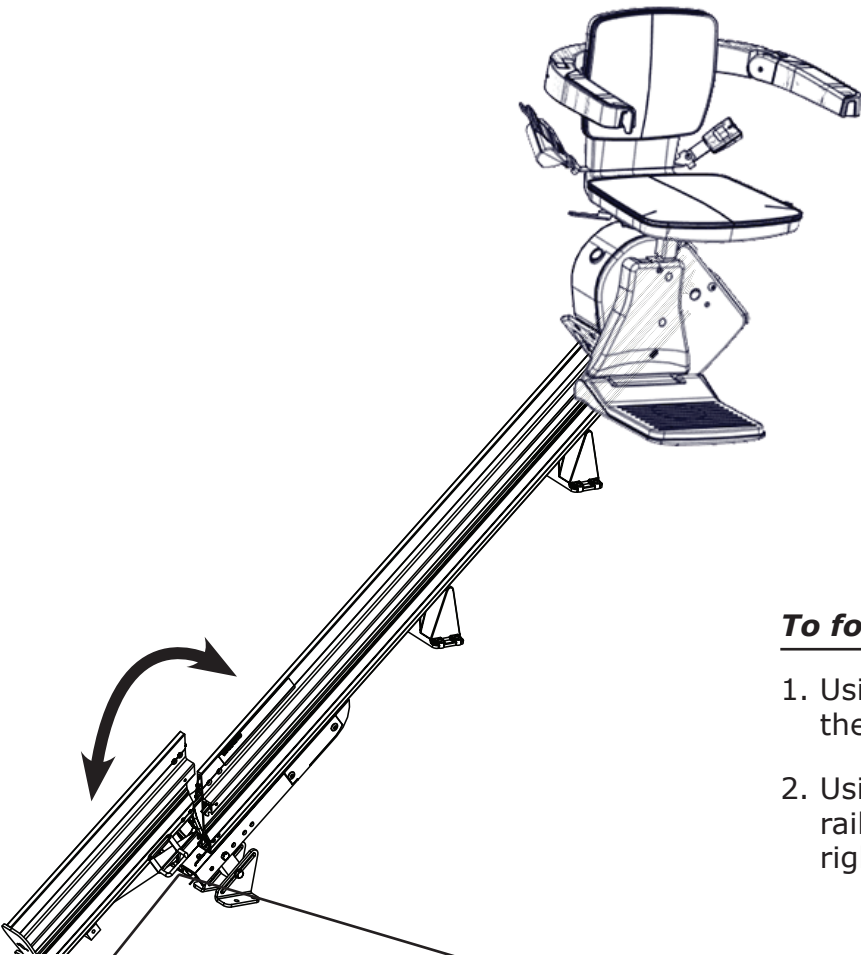
- ***Clear the jam.***
- ***Move the seat up and down until the footrest moves again.***
- ***If normal footrest operation is not restored, contact your authorized Bruno dealer.***

OPERATION: MANUAL folding rail (optional)



When folding the rail UP, the carriage **MUST** be either at the **mid-park** position or parked at the **top** position!

Damage to the carriage **WILL** occur if the carriage is below the mid-park position when the rail is folded up.



⚠ WARNING

PINCH POINT!

Make sure the areas above and below the folding rail are clear before operating the folding rail.

Keep children and pets at a safe distance.

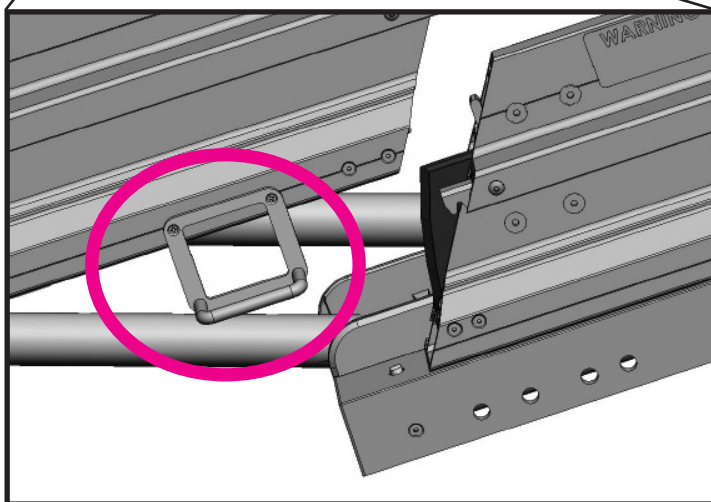
Failure to observe this warning could result in injury or damage to equipment.

To fold rail UP:

1. Using the handle, gently pull up and toward the top of the rail.
2. Using the handle, gently lower the folding rail section to the position shown to the right.

To fold rail DOWN:

1. Using the handle, gently pull up and toward the bottom of the rail.
2. Using the handle, gently lower the folding rail section to the ground.



WARNING

PINCH POINT!

Make sure the areas above and below the folding rail are clear before operating the folding rail.

Keep children and pets at a safe distance.

Failure to observe this warning could result in injury or damage to equipment.

The **power** folding rail is very similar to the manual folding rail except it has a motorized actuation built into the rail hinge to automatically raise and lower the folding section of the rail.

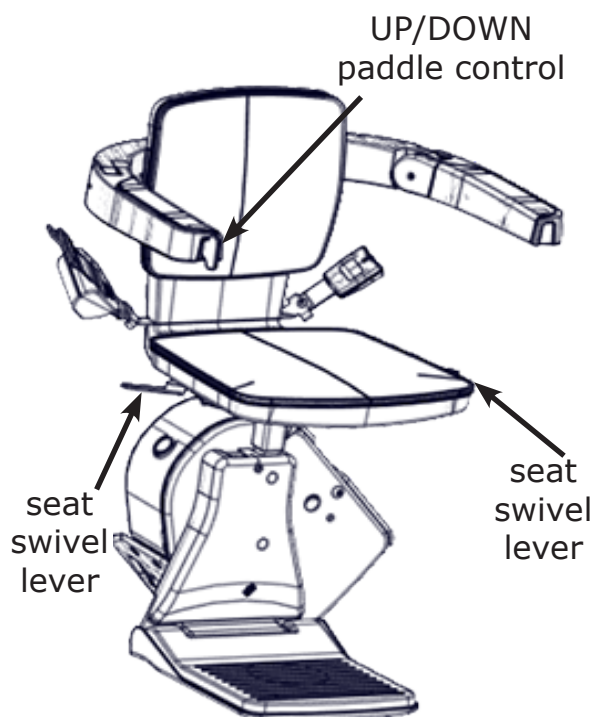
The power folding rail includes a mid-travel stop position.

- If you are **above** this stop, the rail should always be **folded up**.
- If you are **below** this stop the rail should be **folded down**.

Do not attempt to manually fold the power rail!

Using power from the carriage, fold or unfold the rail:

- by riding the stairlift, or
- by using the remotes



Riding the stairlift:

If you are at the top of the staircase, press the UP / DOWN paddle control to ride down the rail until you contact the mid-stop, then release the switch. Look down the staircase to be sure there are no obstructions to prevent the rail from lowering!

Press the UP / DOWN paddle control again, in the down direction. The folding rail will lower. The stairlift will not move down until the rail folds down completely and touches the ground. Release the UP / DOWN paddle control once the rail reaches the ground.

Once the rail is folded down, press and hold the UP / DOWN paddle control again until you reach the bottom of the staircase.

If you are at the bottom of the staircase, ride up until you contact the mid stop, then release the UP / DOWN paddle control. Look down the staircase to be sure there are no obstructions to prevent the rail from folding up!

Press the UP / DOWN paddle control again, in the up direction. The rail will rise up. The stairlift will not continue up until the folding rail is completely folded up.

When the rail is in its fully up position, release the UP paddle control, then press it again to travel the rest of the way up the staircase.

Note

You will hear a continuous beep whenever the folding rail is in motion. This is to warn people nearby of rail operation.

In addition, the yellow LED on the control panel flashes.

OPERATION: POWER folding rail (optional)

Using the remotes:

If you are at the bottom of the staircase, use the remote to power the stairlift down.

If the stairlift is above the mid-stop position, the folding rail will not lower until the chair contacts the mid-stop position.

Once the stairlift has reached the mid-stop position, press the remote DOWN button again to unfold the rail.

Be sure to stand clear of the rail as it unfolds!

If you are at the bottom of the staircase and want to store the stairlift with the rail folded up, use the remote to send the stairlift up to the mid-stop position. Then press the remote UP button again to raise the rail.

Be sure to stand clear of the rail while it folds up!

The power folding rail is equipped with safety features to reduce the chance of injury to people and pets, as well as damage to property.

If the power folding rail detects an obstruction, the rail will stop and briefly reverse direction.

To resume operation in the desired direction,

1. clear the obstruction,
2. press the armrest switch or remote in the opposite direction,
3. press the armrest switch again, in the desired direction.

Disable switch

The control panel includes a disable switch.

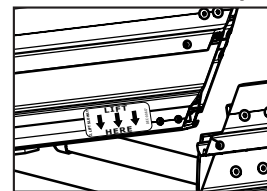
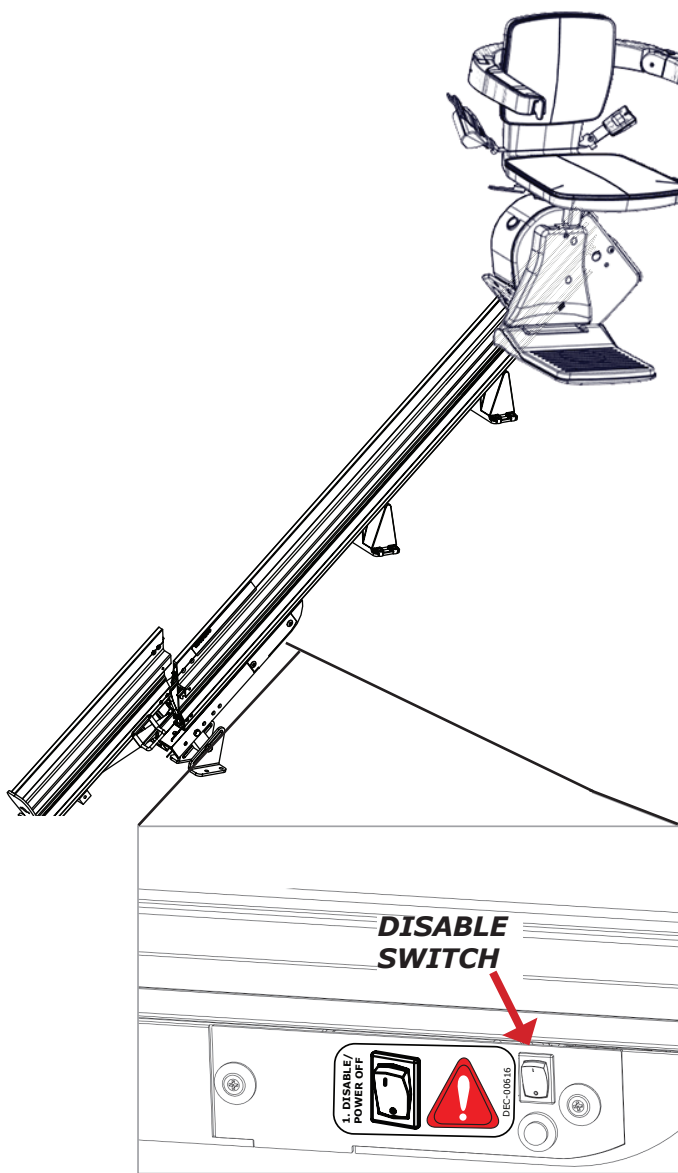
Pressing this switch ON prevents the rail from folding up or down. You would use this function if you wished to keep the rail folded down for an extended period of time.

Be sure to press the switch to OFF allow the rail to fold and unfold correctly under power!

IN AN EMERGENCY ONLY!

Should you need to raise or lower the power folding rail, and you are unable to do so with the UP / DOWN paddle control or the remote, switch the disable switch to OFF. Manually, and GENTLY, raise or lower the rail.

Make sure to lift slowly where indicated by the "LIFT HERE" decal on the short rail. Lifting the rail in a quick, sudden motion may result in damage to the folding rail gearbox.



CHARGING

Keep the batteries charged to ensure optimal operation of your SRE-3050.

The batteries are charging whenever the carriage is parked anywhere on the rail.

Failure to keep the batteries charged, or allowing them to fully discharge, will significantly shorten the life of the batteries.

Occasionally check the battery charger LED to make sure the stairlift is being charged correctly.

LEDS

LED COLOR/ FUNCTION	STATUS/PROBLEM	REMEDY
red	AC power on	normal condition when connected to a live outlet
red (flashing)	defective batteries in unit	Contact your authorized Bruno dealer for service.
yellow	charging	status OK
green	battery fully charged/float mode charging	status OK

REMOTES

The SRE-3050 hand-held remote may experience certain types of interference caused by portable and mobile radio frequency (RF) communications equipment. However, the SRE-3050 uses infrared (IR) communications to minimize the possibility of interference.

Also, receivers are mounted on both sides of the SRE-3050 carriage to minimize interference.

Should interference occur, the unit will stop. This feature has been integrated into the SRE-3050 to ensure your safety.

The direct line between the remote to either of the two (2) remotes should be clear of obstacles for optimal operation. It may be necessary to reposition the remotes so that they are aimed at the carriage.

To reduce the possibility of interference:

- While riding in the seat, ALWAYS operate the elevator using the UP / DOWN paddle control on the armrest.
- Operating the SRE-3050 with a remote while riding in the seat can lead to signal interference.
- **DO NOT** mount the remotes behind an obstacle such as a rail post or around a corner.
- **DO NOT** allow direct sunlight to shine on the receivers (blinding the receivers on the carriage).
- DO replace remote batteries regularly.
 - Depleted or nearly-depleted batteries alter the effective range of the remote.
- DO keep the remote and receiver lens free of dirt and debris.
 - Use a non-abrasive cleaner suitable for glass or acrylic surfaces.
 - Do not use polishes or cleaning products containing wax. These products will leave a film on the lens that will reduce the signal transmission range.

Remote Battery Replacement

To replace the batteries in the remotes, remove the access panel on the back of the remote.

Two (2) AA **alkaline** batteries required.

Change batteries annually.



The SRE-3050 is designed to provide many years of reliable service with minimal maintenance.

For best service life:

- Keep the rail channel clean and free of debris.
- Keep the battery charger plugged into a live outlet at all times.
- **At least once a year**, have the stairlift examined, cleaned and lubricated by a qualified, authorized Bruno dealer.

Seat Upholstery Cleaning

All seating and operator contact areas are fabricated of common materials without a history of causing operator reactions or irritations. The SRE-3050 has been designed assuming that the operator will be wearing clothing covering the torso and footwear. If the user has special sensitivities, normal clothing precautions are suggested.

For day-to-day cleaning, use a mild soap and water solution and a soft, lint-free cloth. Do not use vinyl conditioners or protectants.

For more difficult stains, use an all-purpose cleaner such as Formula 409® or Fantastik® and a damp, soft cloth or sponge. Rinse with clean water and dry with a lint-free cloth or towel.

TROUBLESHOOTING

Your SRE-3050 is not operating correctly. What should you do?

Before calling your Bruno dealer, refer to the solutions listed below. This could save you an unnecessary service call!

- **Seat swivel.** Is the seat locked in the riding position?
- **Footrest.** Is there an obstruction on the stairway that the footrest is contacting?
- **Carriage safety panels.** Is there an obstruction on the stairway that the carriage safety panels are contacting?
- **Main circuit breaker (or fuse) panel of residence.** Has a breaker tripped or a fuse blown?
- **Battery charger.** A discharged battery will cause the carriage to move more slowly until the voltage drops to the point where the controller will shut off. If this should occur, pause for a moment, then run the carriage down to exit the seat.

Partially charged batteries will run the carriage down, but not up.

Confirm that the charger is plugged into a live outlet and wait for the batteries to charge. Red and green LED's are illuminated.

Is the battery charger plugged into a functional outlet? *Do not use outlets which are controlled by a wall switch.*

Is the RED power light on?

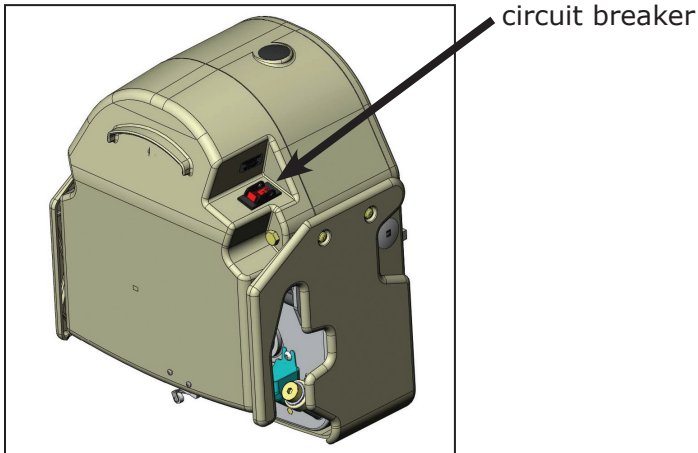
Has the circuit breaker of the residence tripped? Has a fuse blown in the electrical panel of the residence?

- **Visual check.** Do you notice anything about your stairlift that is different or out of place?

If your SRE-3050 continues to function improperly or not at all after completing the preceding checklist, contact an authorized Bruno dealer to perform all required service, repair and maintenance operations.

VACATION AND LONG-TERM STORAGE

If the stairlift will remain unused for an extended period of time, turn off the circuit breaker (ON/OFF switch on the carriage), turn off the battery charger power switch (if equipped) and unplug the charger from the wall outlet.



The batteries may require recharging before normal use if the stairlift remained in the OFF position for an extended period of time.

To recharge, turn on the circuit breaker, reconnect the charger to the wall outlet, and turn on the battery charger power switch (if equipped). Then wait until the charger LED's indicate that the batteries are fully recharged.

BRUNO GOLD LIMITED WARRANTY FOR STAIRLIFT Limited Lifetime Major Components – 2 Year Parts

Bruno Independent Living Aids, Inc. (Bruno) is confident in its USA-designed and built stairlift units and is pleased to provide the Original Purchaser of a Bruno Stairlift with the following "Industry Leading" warranty. The quality of parts used, along with the care of Bruno's employees in constructing Bruno's products, allow Bruno to provide the following warranty coverage to the Original Purchaser of the Bruno Stairlift:

- ◇ All Parts, other than Major Components, are/will be free of defects in material and workmanship for a period of two (2) years after the date of installation by a Bruno Authorized Dealer.
- ◇ All Major Components, including the motor, gearbox, drivetrain, and rail system of the Bruno Stairlift, are/will be free of defects in material and workmanship for the lifetime of the Bruno Stairlift and as long as the Original Purchaser owns the Stairlift.
- ◇ All labor, to be provided by a Bruno Authorized Dealer, to address any defect of the Bruno Stairlift is covered for the first thirty (30) days after installation thereof by a Bruno Authorized Dealer.
- ◇ All Bruno warranties begin on the date of installation of the Bruno Stairlift by a Bruno Authorized Dealer, but that date should be no later than 14 months after it was shipped from the factory.

Bruno Authorized Dealers are trained to evaluate your unique situation and then install the best Bruno Stairlift to meet your needs. The trained installation and service technicians employed by a Bruno Authorized Dealer have the appropriate equipment and resources needed to correctly install and maintain the Bruno Stairlift and should be the first contact for any warranty or service needs.

WHAT IS NOT WARRANTY COVERAGE:

- ◇ Damage to units caused by misuse, abuse, accidents, neglect or modifications NOT made by a Bruno Authorized Dealer.
- ◇ Consumable items such as remote batteries
- ◇ All labor by a Bruno Authorized Dealer after the first thirty (30) days since installation.
- ◇ Reasonable wear and tear.

ADDITIONAL NOTES:

- ◇ All Service and Warranty claims must be brought to the attention of a Bruno Authorized Dealer. To ensure warranty coverage, all maintenance and repair work on the Bruno Stairlift, other than maintenance provided by the Original Purchaser as called for in the Operator's Manual, must be performed by a Bruno Authorized Dealer.
- ◇ In no event shall Bruno be responsible for indirect, incidental or consequential damages, whether such damages arise based on claims based on contract, warranty, tort (including negligence, strict liability or product liability).
- ◇ Bruno, at its sole discretion, reserves the right to replace, repair, or, if not commercially practical and/or feasible, elect to refund the Original Purchaser the purchase price of the Bruno Stairlift.
- ◇ This warranty gives the Original Purchaser specific legal rights for which the Original Purchaser may also have other rights that vary from state to state. Bruno specifically does not authorize any person to extend the time or scope of this warranty.

For further information regarding this limited warranty, please contact Bruno using the contact information shown below:

In North America:

Bruno Independent Living Aids, Inc.®
Attn: Service Department
1780 Executive Drive
Oconomowoc, Wisconsin 53066 United States
Tel. 1-800-882-8183 (toll free)

In the UK and Europe

Bruno
Unit 5, Millennium Court,
Clayhill Industrial Park Neston,
Wirral CH64 3UZ United Kingdom
Tel. 0151 559 0732



ELAN SALVAESCALERS DE REIL RECTO

SRE-3050

11-01-19
P/N 3050-O

(English / ingles / anglais 1)
(French / francés / français 37)

FORMULARIO DE REGISTRO DE PRODUCTO

PRODUCT REGISTRATION  Made in USA

Please fill out and return this card or register online.

First Name: _____ Last Name: _____
Address: _____ City: _____
State/Province: _____ Zip/Postal Code: _____
Phone: (____) _____ Email Address: _____
Date of Purchase (mm/dd/yy): _____

Rate your Bruno dealer:
 excellent good average poor

Rate your Bruno product:
 excellent good average poor

Register online at bruno.com/warranty



Bruno se complace en proporcionarle este producto para mejorar la movilidad.

El Formulario de registro del producto se envía en una bolsa de plástico adjunto a este manual. Es muy importante que usted llene y devuelva este formulario a su más pronta conveniencia para que podamos completar el proceso de registro de la garantía para su unidad.

El **número de serie** se encuentra en las etiquetas adheridas al manual, así como en la unidad.

Los números de serie y modelo deben proporcionarse al momento de presentar el reclamo de una garantía, solicitar servicio o pedidos de piezas. Le recomendamos mantener esta información a la mano en todo momento.

Nota que la garantía para el Salvaescaleras SRE-3050 se anulará o invalidará en caso de que la unidad se instale o sea mantenida por cualquier persona ajena a un distribuidor autorizado Bruno.

Información reglamentaria y especificaciones	22
Seguridad	23
Interruptor automático	24
Sentarse	24
Operación	25-31
<i>asiento giratorio estándar</i>	25
<i>asiento giratorio eléctrico (opcional)</i>	26
<i>descansapiés eléctrico (opcional)</i>	27
<i>riel plegable manual (opcional)</i>	28
<i>riel plegable eléctrico (opcional)</i>	29-30
Carga eléctrica.	31
<i>cargador de baterías.</i>	31
<i>luces LED</i>	31
Controles remotos	32
Mantenimiento.	33
Solución de problemas	34
Vacaciones y almacenamiento de largo plazo.	35
Garantía	36



Este elevador está destinado para ser instalado de acuerdo con la edición actual de:

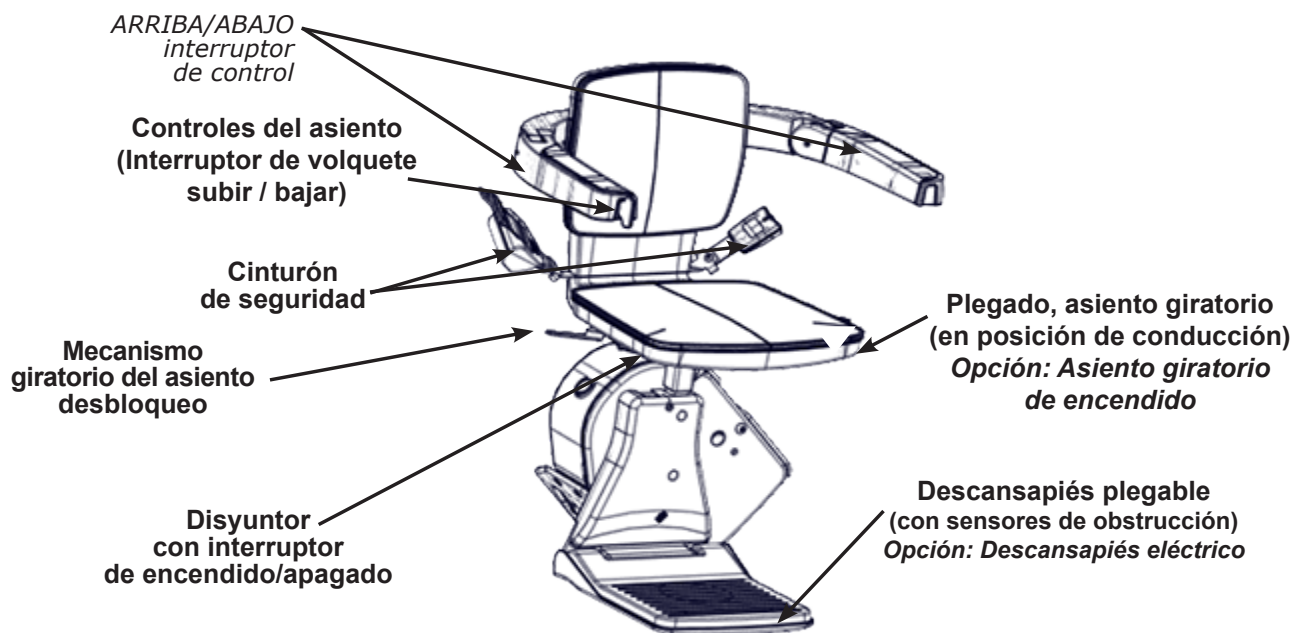
- EN 81-40:2008 Reglamentos de seguridad para la construcción e instalación de elevadores - Elevadores especiales para el transporte de personas y mercancías - Parte 40: Salvaescaleras y plataformas de elevación inclinadas destinadas para personas con discapacidad de movimiento
- ASME A18.1:2017 Norma de seguridad para elevadores de plataforma y sillas salvaescaleras
- CAN/CSA-B613-00 (R2012) - Elevadores residenciales particulares para personas con discapacidades físicas
- ASME A17.5/CSA B44.1 - 2019 Elevador y equipo de escalera eléctrica
- NFPA 70: Código eléctrico nacional de los Estados Unidos®
- CSA C22.1 Código eléctrico canadiense

Verifique los códigos locales aplicables con las autoridades reguladoras correspondientes.

ESPECIFICACIONES

Capacidad de peso:	300 lbs. (136 kg)
Control:	presión constante (descansabrazos y dos remotos)
Inclinación máxima	45 grados, especiales de 52 grados
Mecanismo giratorio del asiento	0, 67 y 90 grados en el rellano de la planta alta únicamente
Cargador de baterías:	120 V CA, 60 Hz, 0.35A de entrada; 24 V CC, 1A de salida, monitoreo continuo

COMPONENTES DEL SRE-3050



POR SU SEGURIDAD

- Lea y entienda las instrucciones de operación, y todas las precauciones de seguridad antes de usar el SRE-3050.
- Asegúrese de que las escaleras estén despejadas de objetos antes de operar el salvaescaleras.
- Siempre esté consciente de la superficie sobre la cual está pisando al subir y bajar del salvaescaleras.
- Evite llevar objetos consigo en el salvaescaleras, los cuales puedan estorbar el movimiento del salvaescaleras arriba y abajo de las escaleras.
- NO use ropa suelta que pueda interferir con el movimiento del salvaescaleras.
- Abroche su cinturón de seguridad antes de operar el salvaescaleras.
- Asegúrese de que el asiento esté bloqueado en la posición para sentarse correcta.
- Asegúrese de que el recorrido del giro del asiento esté despejado antes de girar hacia adentro o afuera de la posición de montar, y antes de reposicionar el asiento.
- Asegúrese de que el mecanismo giratorio del asiento esté bloqueado en su lugar antes de intentar subir o bajar del salvaescaleras.
- Asegúrese de que no haya obstáculos que impidan levantar/bajar por completo el descansapiés eléctrico opcional (si la unidad está equipada).
- USUARIOS NO AMBULANTES: Bruno recomienda llevar un teléfono celular o inalámbrico o un dispositivo de comunicación de emergencia al subir al salvaescaleras cuando está solo en casa.

Cada salvaescaleras está diseñado para desplazarse hacia abajo de la escalera a una velocidad más lenta que cuando se desplaza hacia ARRIBA.

El descansapiés está equipado con sensores de obstáculos los cuales detienen el carro en caso de detectar un obstáculo en las escaleras.

Si esto ocurre, oprima el lado opuesto del interruptor de volquete UP/DOWN (arriba/abajo, en el descansabrazos) para desplazar el carro en dirección contraria. Quite el obstáculo de la escalera o riel y luego reanude el desplazamiento en la dirección deseada.

Su SRE-3050 funciona a baterías y continuará funcionando por un tiempo durante un apagón de energía. La duración de su funcionamiento dependerá del estado de la batería, de la longitud de las escaleras y del peso del pasajero.

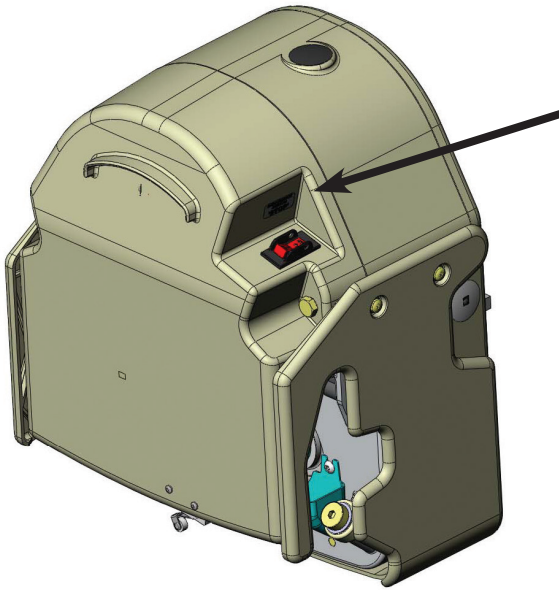
Únicamente en caso de un apagón de energía prolongado (más de una hora) será necesario apagar la unidad (en el interruptor automático en el carro) y apagar o desconectar el cargador del tomacorriente de pared para conservar la carga de la batería.

El ***asiento giratorio eléctrico opcional*** está equipado con sensor de sobrecarga de corriente para prevenir que siga girando el asiento en caso de detectarse un atascamiento.

El ***descansapiés eléctrico opcional*** está equipado con el sensor de sobrecarga de corriente que causará que el descansapiés regrese a su última posición si se detecta un atascamiento.

El ***riel plegable eléctrico opcional*** está equipado con sensor de sobrecarga de corriente para prevenir daños en caso de detectarse una obstrucción o atascamiento.

INTERRUPTOR AUTOMÁTICO



El SRE-3050 incluye un interruptor automático con un interruptor de encendido/apagado integrado ubicado en el lado trasero del carro.

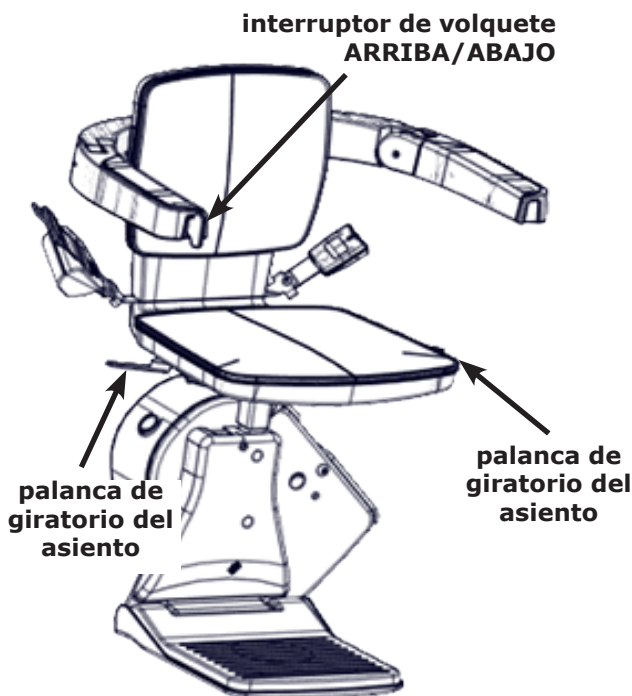
El interruptor automático protege los circuitos de la batería, del controlador y motor en el carro del salvaescaleras.

Es improbable que este interruptor automático se dispare durante el uso normal. No obstante, si el salvaescaleras deja de funcionar, revise el interruptor automático como primer paso de solución de problemas. Reajuste el interruptor, si es necesario.

Posibles causas del disparo del interruptor automático:

- materia extraña atorada en el riel o cremallera;
- exceder el peso de carga nominal del salvaescaleras.

SENTARSE



El asiento en el SRE-3050 está diseñado para girar y bloquearse a 0, 67 y 90 grados.

Empujar en cada lado de la palanca giratoria le permite girar el asiento a una posición conveniente para subir o bajar del asiento.

Una vez que suelte la palanca del mecanismo giratorio, el asiento se bloqueará en la siguiente posición disponible.

Para bajar el asiento de una posición plegada a la posición para sentarse, simplemente empuje el asiento hacia abajo.

ASIENTO GIRATORIO ESTÁNDAR

El SRE-3050 incluye una función de **"inicio suave"** que previene que la unidad se mueva abruptamente al momento en que el interruptor ARRIBA/ABAJO es oprimido.

Oprima y sostenga el interruptor por un momento para iniciar la aceleración suave del salavescaleras a la velocidad operativa.

Al oprimir y sostener el interruptor de volquete causará que el carro se mueva hasta que el carro se detenga automáticamente en el extremo superior o inferior del riel de la escalera, o hasta que el interruptor deje de ser oprimido.

Dos (2) controles remotos le permiten mover el carro hacia o desde cualquiera de los extremos del riel de escalera.

Los controles remotos están diseñados para llamar o enviar el **asiento vacío únicamente!**

Los controles NO están diseñados para mover el asiento con una persona a bordo.

1. Colóquese en el asiento.
2. Abróchese el cinturón de seguridad.
3. Oprima y sostenga la palanca del mecanismo giratorio del asiento.
4. Gire el asiento de modo que usted quede en los ángulos correctos respecto al riel (con su espalda hacia la pared de la escalera).
5. Suelte la palanca del mecanismo giratorio del asiento para bloquear el asiento en esa posición.
Un interruptor de seguridad impide el funcionamiento del SRE-3050, excepto cuando el asiento está bloqueado en una posición a ángulos correctos respecto al riel (la posición para "sentarse").
6. Baje ambos descansabrazos completamente.
7. Coloque ambos pies firmemente sobre el descansapiés y ponga sus brazos sobre los descansabrazos.
8. Oprima y sostenga el interruptor control de volquete (ubicado en el borde frontal de uno de los descansabrazos) para desplazarse ARRIBA/ABAJO por el riel.
9. Una vez que haya llegado al rellano de la planta alta o baja, suelte el interruptor de volquete.
10. Oprima y sostenga la palanca del mecanismo giratorio del asiento mientras gira a la posición para subir o bajar del asiento.
NOTA: El asiento solo girará en el rellano de la planta alta.
11. Suelte la palanca del mecanismo giratorio del asiento y deje que el asiento se bloquee en su posición.
12. Desabroche el cinturón de seguridad y baje con cuidado del asiento.

ASIENTO GIRATORIO ELÉCTRICO (opcional)

1. Colóquese en el asiento.
2. Abróchese el cinturón de seguridad.
3. Coloque ambos pies firmemente sobre el descansapiés y ponga sus brazos sobre los descansabrazos.
4. Oprima y sostenga el interruptor de volquete (ubicado en el borde frontal de uno de los descansabrazos) para desplazarse UP/DOWN (arriba/abajo) por el riel.
5. Una vez que haya llegado al rellano de la planta alta o baja, suelte el interruptor de volquete.
6. Para girar el asiento **en el rellano de la planta alta**, oprima el interruptor de volquete nuevamente en el mismo lado.
7. Suelte el interruptor de volquete cuando haya girado totalmente.
8. Desabroche el cinturón de seguridad y baje con cuidado del asiento.

NOTAS:

- ***Puede usar los controles de llamar/ enviar remotos para regresar el asiento eléctrico girado de regreso a la posición para sentarse.***
- ***Si la unidad se detiene repentinamente durante el desplazamiento, revise si hay obstrucciones o carga excesiva. Solo podrá desplazar la unidad en dirección opuesta hasta que se despeje la sobre carga.***

DESCANSAPIÉS ELÉCTRICO (opcional)

Si la unidad está equipada con un descansapiés **opcional**, siga las instrucciones de operación indicadas a continuación.

1. Levante el **asiento** para levantar el descansapiés a su posición de guardado.
2. Baje el **asiento** para bajar el descansapiés a la posición para sentarse.

NOTAS:

- ***No intente levantar ni bajar el descansapiés manualmente. Siempre levante/baje el descansapiés levantando o bajando el asiento. Si no cumple con seguir esta instrucción puede causar daños a la unidad.***
- ***Si ocurre un atascamiento mientras levanta o baja el descansapiés, el descansapiés intentará regresar a su última posición. Esto producirá un error de secuencia.***

Para restaurar el funcionamiento normal del descansapiés:

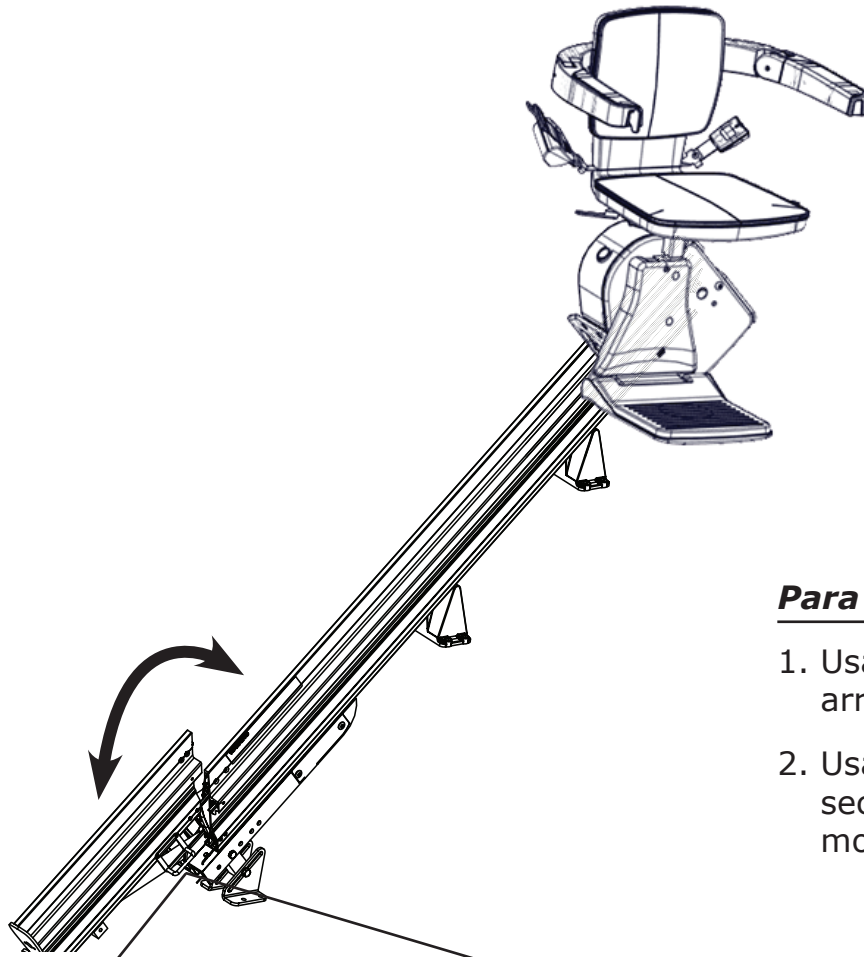
- ◇ ***Elimine el atascamiento.***
- ◇ ***Mueva el asiento arriba y abajo hasta que el descansapiés se mueva nuevamente.***
- ◇ ***Si el funcionamiento normal del descansapiés no se ha restaurado, contacte al representante de Servicio técnico de Bruno.***

OPERACIÓN: Riel plegable MANUAL (opcional)



Cuando despliegue el riel ARRIBA, el carro **DEBE** quedar en **posición de estacionamiento intermedia** o estacionado en la posición **alta**!

OCURRIRÁN daños al carro si el carro queda abajo de la posición de estacionamiento intermedia cuando el riel sea plegado arriba.



ADVERTENCIA

¡PUNTO DE ATRAPAMIENTO!

Asegúrese de que las áreas arriba indicadas y debajo del riel plegable estén despejadas antes de operar el riel plegable.

Mantenga a los niños y mascotas a una distancia segura.

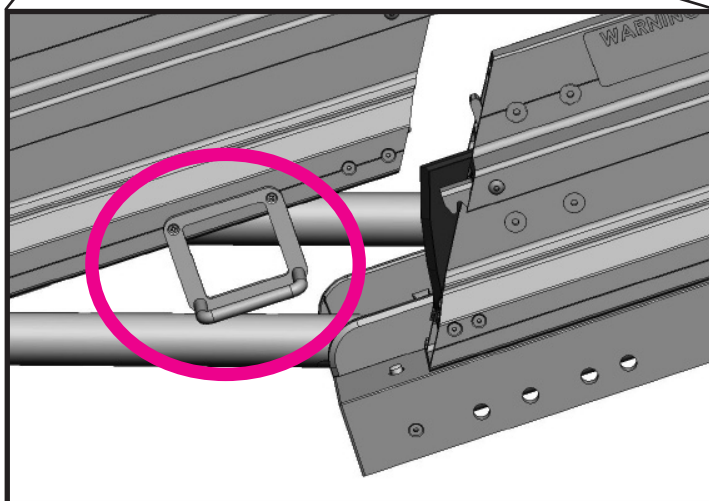
No cumplir con observar esta advertencia puede causar lesiones personales o daños en el equipo.

Para plegar el riel ARRIBA:

1. Usando la manija, jale suavemente arriba y hacia la parte superior del riel.
2. Usando la manija, baje suavemente la sección de riel desplegable a la posición mostrada en la derecha.

Para plegar el riel ABAJO:

1. Usando la manija, jale suavemente arriba y hacia la parte inferior del riel.
2. Usando la manija, baje suavemente la sección de riel desplegable al piso.



OPERACIÓN: Riel plegable ELÉCTRICO (opcional)

ADVERTENCIA

¡PUNTO DE ATRAPAMIENTO!

Asegúrese de que las áreas arriba indicadas y debajo del riel plegable estén despejadas antes de operar el riel plegable.

Mantenga a los niños y mascotas a una distancia segura.

No cumplir con observar esta advertencia puede causar lesiones personales o daños en el equipo.

El riel plegable **eléctrico** es muy similar al riel plegable manual, excepto que tiene un accionamiento motorizado integrado en la bisagra del riel para elevar y bajar automáticamente la sección plegable del riel.

El riel plegable eléctrico incluye una posición de parada intermedia de desplazamiento.

- Si usted está por **arriba** de esta parada, el riel siempre debe **estar desplegado hacia arriba**.
- Si usted por **debajo** de esta parada, el riel debe **estar desplegado hacia abajo**.

¡No intente desplegar manualmente el riel eléctrico!

Usando la energía eléctrica del carro, pliegue o despliegue el riel:

- al sentarse en el salvaescaleras, o
- usando los controles remotos.

Para sentarse en el salvaescaleras:

Si usted está en la parte alta de las escaleras, oprima el interruptor del descansabrazos para desplazarse abajo por el riel hasta llegar a la parada intermedia, luego suelte el interruptor. ¡Mire abajo por las escaleras para asegurarse de que no haya obstrucciones que impidan que baje el riel!

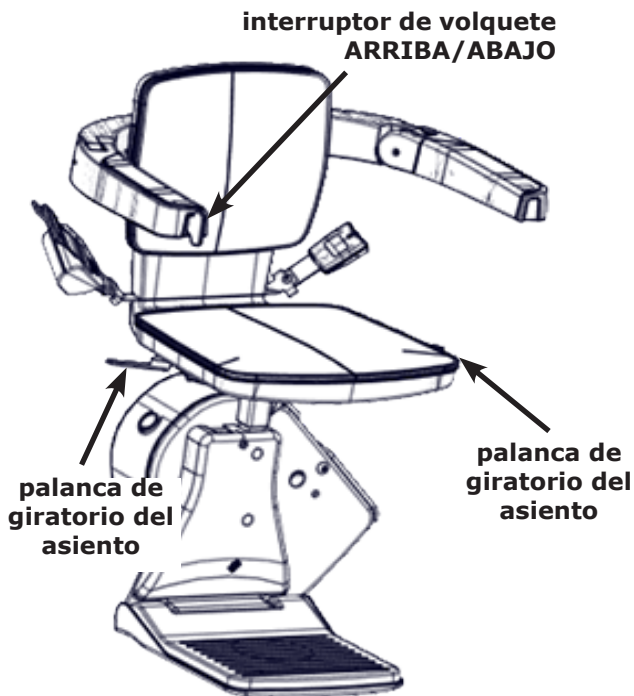
Oprima el interruptor del descansabrazos otra vez en dirección hacia abajo. El riel plegable bajará. El salvaescaleras no se moverá hacia abajo hasta que el riel se despliegue completamente y toque el piso. Suelte el interruptor del descansabrazos una vez que el riel llegue al piso.

Una vez que el riel esté desplegado, oprima y sostenga el interruptor del descansabrazos otra vez hasta que usted llegue a la parte baja de las escaleras.

Si usted está en la parte baja de las escaleras, desplácese hacia arriba hasta que llegue a la parte intermedia, luego suelte el interruptor del descansabrazos. Mire arriba por las escaleras para asegurarse de que no haya obstrucciones que impidan que el riel se despliegue hacia arriba.

Oprima el interruptor del descansabrazos otra vez en dirección hacia arriba. El riel se elevará. El salvaescaleras no continuará desplazándose hasta que el riel plegable quede desplegado completamente.

Cuando el riel esté en su posición totalmente arriba suelte el interruptor del descansabrazos ARRIBA, luego oprima nuevamente para desplazarse el resto del recorrido arriba por la escalera.



NOTA:

Escuchará un pitido continuo siempre que el riel plegable esté en movimiento. Esto es para advertir a las personas alrededor que el riel está funcionando.

Además, destella el LED amarillo en el tablero de control.

OPERACIÓN: Riel plegable ELÉCTRICO (opcional)

Uso de los controles remotos:

Si está en la parte baja de las escaleras, use el control remoto para bajar el salvaescaleras.

Si el escaleras está por arriba de la posición de parada intermedia, el riel plegable no bajará hasta que la silla haga contacto con la posición de parada intermedia.

Una vez que el salvaescaleras llegue a la posición de parada intermedia, oprima el botón DOWN (bajar) en el control remoto nuevamente para desplegar el riel.

¡Asegúrese de estar alejado del riel mientras éste se despliega!

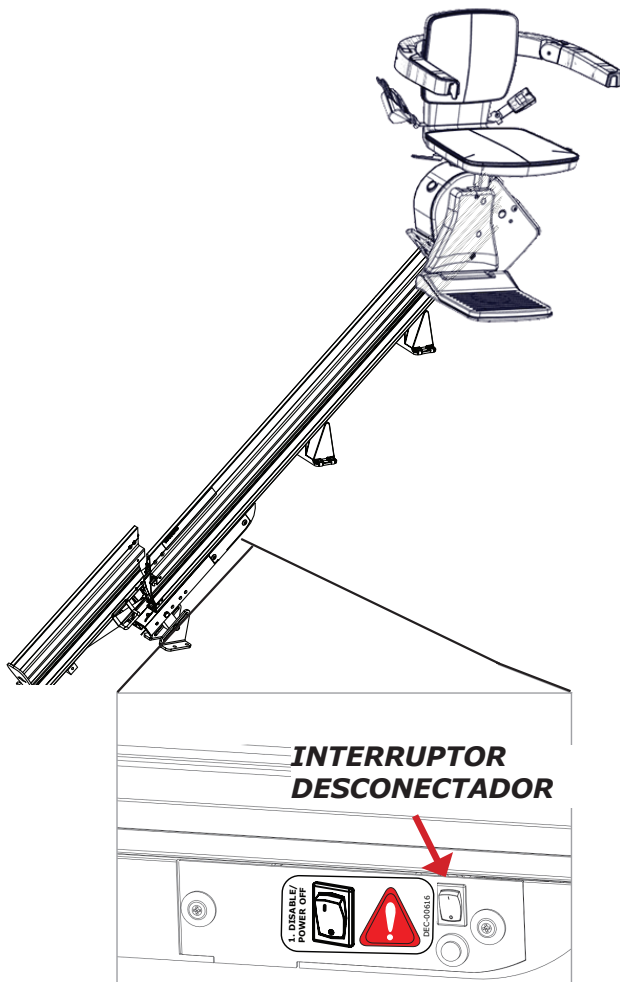
Si usted está en la parte baja de las escaleras y desea guardar el salvaescaleras con el riel plegado arriba, use el control remoto para enviar arriba el salvaescaleras a la posición de parada intermedia. Luego oprima el botón UP (subir) en el control remoto nuevamente para elevar el riel.

¡Asegúrese de estar alejado del riel mientras éste se pliega!

El riel plegable eléctrico está equipado con medidas de seguridad para minimizar la probabilidad de lesiones a personas y mascotas o daños en propiedad.

Si el riel plegable eléctrico detecta una obstrucción, el riel se detendrá y retrocederá un poco. Para reanudar su operación en la dirección deseada:

1. Elimine la obstrucción,
2. Oprima el interruptor del descansabrazos o el botón del control remoto en la dirección opuesta,
3. Oprima el interruptor del descansabrazos nuevamente, en la dirección deseada.



Interruptor desconectador

El tablero de control incluye un interruptor desconectador.

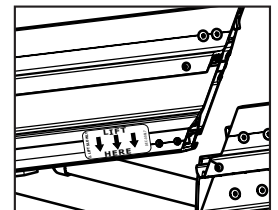
Al activar este interruptor, impide que el pliegue o despliegue del riel. Esta función se utiliza si usted desea mantener el riel plegado por un periodo de tiempo prolongado.

Asegúrese de desactivar este interruptor para permitir que el riel se pliegue y despliegue correctamente con energía eléctrica.

¡SOLO EN CASO DE EMERGENCIA!

Si necesita subir o bajar el riel plegable eléctrico, y no puede hacerlo con el interruptor del descansabrazos ni con el control remoto, apague el interruptor de deshabilitar. Manualmente, y SUAVEMENTE, suba o baje el riel.

Asegúrese de levantar lentamente donde se indica por la calcomanía "LIFT HERE" en el riel corto. Levantar el riel en un movimiento rápido y repentino puede resultar en daño a la caja de cambios del riel plegable.



CARGADOR DE BATERÍAS

Mantenga las baterías cargadas para asegurar el funcionamiento óptimo de su SRE-3050.

Las baterías están cargando siempre que el carro está en cualquier ubicación en el riel.

No cumplir con mantener las baterías cargadas, o dejar que se descarguen completamente, reducirá significativamente la vida útil de las baterías.

Ocasionalmente, revise la luz LED del cargador de baterías para asegurarse de que el salvaescaleras esté cargado correctamente.

LUCES LED

<i>COLOR DE LED/ FUNCIÓN</i>	<i>ESTADO/PROBLEMA</i>	<i>SOLUCIÓN</i>
la luz roja	corriente alterna en	en estado normal cuando se conecta a un tomacorriente vivo
la luz roja (detallando)	indica baterías defectuosas en la unidad	Contacte a su distribuidor autorizado Bruno para servicio.
la luz amarillo	carga	estado es BIEN
la luz verde	indica batería totalmente cargada/modo de carga flotante	estado es BIEN

CONTROLES REMOTOS

El control remoto manual del SRE-3050 puede experimentar determinados tipos de interferencia causados por equipos de comunicaciones por radiofrecuencia (RF) portátiles y móviles. No obstante, el SRE-3050 usa comunicaciones infrarrojas (IR) para minimizar la posibilidad de interferencia.

De igual manera, los receptores están montados en ambos lados del carro del SRE-3050 para minimizar la interferencia.

Si se presenta una interferencia, la unidad se detiene. Esta función ha sido integrada en el SRE-3050 para garantizar su seguridad.

Para un funcionamiento óptimo, la línea recta entre el control remoto a cualquiera de los (2) receptores debe estar libre de obstáculos. Puede ser necesario reposicionar los controles remotos de modo que apunten al carro.

Para reducir la posibilidad de interferencia:

- Al estar sentado en el asiento, SIEMPRE opere el elevador usando el interruptor de volquete que está en el descansabrazos.
- Al operar el SRE-3050 con un control remoto mientras está sentado en el asiento, puede causar interferencia de señal.
- **NO** monte los receptores detrás de un obstáculo, tal como un poste de riel o a la vuelta de una esquina.
- **NO** dirija la luz solar directa a los receptores (puede cegar los receptores en el carro).
- REEMPLACE las baterías del control remoto regularmente.
- Las baterías agotadas o casi agotadas alteran el alcance efectivo del control remoto.
- MANTENGA el lente del transmisor y receptor limpio sin suciedad.
- Use un limpiador no abrasivo que sea adecuado para superficies de cristal o de acrílico.
- No use pulidores ni productos de limpieza que contengan cera. Estos productos dejarán una película en los lentes la cual reducirá el alcance de transmisión de la señal.

Reemplazo de la batería del control remoto

Para reemplazar las baterías en los controles remotos, quite el panel de acceso en la parte trasera del control remoto.

Se requieren dos baterías AA alcalinas.

Cambie las baterías anualmente.



MANTENIMIENTO

El SRE-3050 está diseñado para ofrecer muchos años de servicio confiable con mínimo mantenimiento.

Para optimizar la vida útil:

- Mantenga el canal del riel limpio y libre de suciedad.
- Mantenga el cargador de baterías conectado a un tomacorriente vivo en todo momento.
- ***Al menos una vez al año***, solicite la inspección, limpieza y lubricación del salvaescaleras por un técnico de servicio calificado y autorizado de Bruno.

Limpieza de tapicería del asiento

Todas las áreas de contacto del asiento están fabricadas con materiales comunes sin historial de causar reacciones o irritación al usuario. El SRE-3050 se ha diseñado asumiendo que el usuario usará ropa que cubra el torso y zapatos. Si el usuario tiene sensibilidad especial, se sugiere tomar precauciones de ropa normal.

Para la limpieza diaria, use una solución de jabón suave y agua y un trapo suave sin pelusa. No use acondicionadores de vinilo ni protectores.

Para manchas difíciles de quitar, use un limpiador multiusos como Formula 409® o Fantastik® y un trapo suave o esponja humedecida. Enjuague con agua limpia y seque con un trapo o toalla sin pelusa.

SOLUCIÓN DE PROBLEMAS

Su SRE-3050 no funciona correctamente. ¿Qué debe hacer?

Antes de llamar a su distribuidor Bruno, consulte la lista de soluciones a continuación. ¡Esto podría ahorrarle una llamada de servicio innecesaria!

- **Mecanismo giratorio del asiento.**

¿El asiento está bloqueado en la posición para sentarse?

- **Descansapiés.**

¿Hay alguna obstrucción en la escalera con la cual el descansapiés esté haciendo contacto?

- **Paneles de seguridad del carro.**

¿Hay alguna obstrucción en la escalera con la cual los paneles de seguridad del carro estén haciendo contacto?

- **Interruptor automático principal (o fusible) de la residencia.**

¿Se ha disparado el interruptor o se fundió un fusible?

- **Cargador de baterías.**

Una batería descargada causará que el carro se mueva más lentamente hasta que el voltaje caiga hasta un punto donde el controlador se apagará.

Si esto sucede, haga una pausa, luego desplace el carro abajo para bajar del asiento.

Las baterías parcialmente cargadas desplazarán el carro abajo, pero no hacia arriba.

Confirme que el cargador está enchufado a un tomacorriente vivo y espere a que se carguen las baterías. Los luces LED rojo y verde están iluminados.

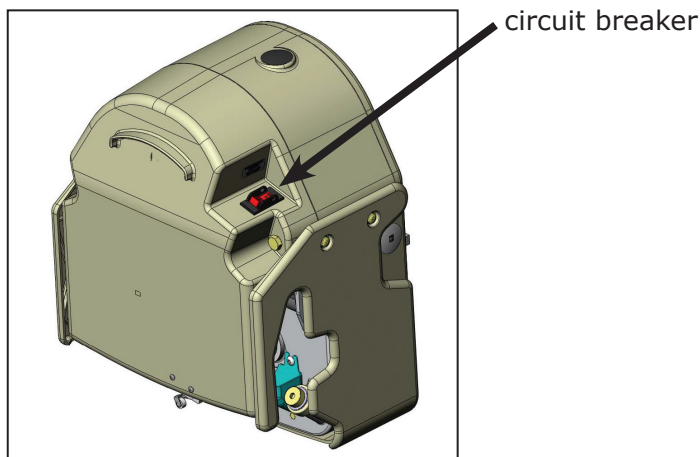
¿El cargador está enchufado a un tomacorriente que sí funciona? *No use tomacorrientes que sean controlados por un interruptor de pared.*

¿La luz de encendido ROJA está iluminada?

¿El interruptor automático de la residencia está disparado? ¿Hay un fusible fundido en el tablero eléctrico de la residencia?

- **Revisión visual.** ¿Observa algo en su salvaescaleras que sea diferente o fuera de su lugar?

Si su SRE-3050 continúa funcionando incorrectamente o no funciona después de repasar la lista de verificación, contacte a un distribuidor autorizado Bruno para que realice el servicio, reparaciones y mantenimiento necesario.



Si el salvaescaleras va a permanecer sin usarse por un periodo de tiempo prolongado, apague el interruptor automático (interruptor de encendido/apagado en el carro), apague el interruptor del cargador de baterías (si está incluido) y desenchufe el cargador del tomacorriente de pared.

Es probable que necesite recargar las baterías antes de volver al uso normal si el salvaescaleras permanece en posición de apagado por un periodo de tiempo prolongado.

Para recargar, encienda el interruptor automático, reconecte el cargador al tomacorriente de pared, y encienda el interruptor del cargador de baterías (si está incluido). Luego espere hasta que las luces LED del cargador indiquen que las baterías están totalmente cargadas.

GARANTÍA LIMITADA Bruno GOLD PARA SALVAESCALERAS **duración limitada en componentes principales – 2 años en piezas**

Bruno Independent Living AIDS, Inc. (Bruno) confía en sus unidades salvaescaleras diseñadas y construidas por Estados Unidos y se complace en proporcionar al comprador original de un salvaescaleras de Bruno la siguiente garantía de "industria líder".

La calidad de las piezas usadas, junto con el cuidado de los empleados de Bruno en la construcción de los productos de Bruno, permiten a Bruno proporcionar la cobertura de garantía siguiente al comprador original de las salvaescaleras de Bruno:

- ◇ Todas las piezas, excepto los componentes principales, estarán/estarán libres de defectos de material y mano de obra por un período de dos (2) años después de la fecha de instalación por un distribuidor autorizado de Bruno.
- ◇ Todos los componentes principales, que incluye el motor, la transmisión de la caja de engranajes y el sistema ferroviario de la salvaescalera de Bruno, están/serán libres de defectos en material y la ejecución por la vida de la salvaescalera de Bruno y mientras el comprador original posea de la salvaescalera.
- ◇ Todo el trabajo, a ser proporcionado por un distribuidor autorizado de Bruno, para hacer frente a cualquier defecto de la salvaescalera de Bruno se cubre por los primeros treinta (30) días después de la instalación de los mismos por un distribuidor autorizado de Bruno.
- ◇ Todas las garantías de Bruno comienzan en la fecha de la instalación de la salvaescalera de Bruno por un distribuidor autorizado Bruno pero esa fecha debe ser no más adelante de 14 meses después de que fuera enviada de la fábrica.

Bruno concesionarios autorizados están entrenados para evaluar su situación única y luego instalar el mejor salvaescalera de Bruno para satisfacer sus necesidades. Los técnicos de instalación y servicio entrenados empleados por un distribuidor autorizado de Bruno tienen el equipo y los recursos apropiados necesarios para instalar y mantener correctamente a salvaescalera de Bruno y deben ser el primer contacto para cualquier necesidad de la garantía o del servicio.

LO QUE NO CUBRE LA GARANTÍA:

- ◇ Daños a las unidades causadas por mal uso, abuso, accidentes, negligencia o modificaciones NO hechas por un Distribuidor Autorizado Bruno.
- ◇ Artículos consumibles como las baterías del control remoto.
- ◇ Toda la mano de obra realizada por un Distribuidor Autorizado Bruno después de los primeros treinta (30) días contados a partir de la instalación.
- ◇ Desgaste y deterioro razonable.

NOTAS ADICIONALES:

- ◇ Todos los servicios y garantías deben ser señalados a la atención de un distribuidor autorizado de Bruno. Para asegurar la cobertura de la garantía todos los trabajos de mantenimiento y reparación en la salvaescalera de Bruno, excepto el mantenimiento proporcionado por el comprador original como se requiere en el manual del propietario, deben ser realizados por un distribuidor autorizado de Bruno.
- ◇ En ningún caso, Bruno se hará responsable por daños y perjuicios, fortuitos, directos o indirectos, aun cuando los daños surjan a partir de reclamos basados en contratos, garantía, agravios (incluida negligencia, responsabilidad limitada o responsabilidad de producto).
- ◇ Bruno, a su entera discreción, se reserva el derecho de reemplazar, reparar o, si no es comercialmente práctico y/o factible, elegir reembolsar al comprador original el precio de compra de la salvaescalera de Bruno.
- ◇ Esta garantía otorga al comprador original derechos legales específicos para los cuales el comprador original también puede tener otros derechos que varían de estado a estado. Bruno no autoriza específicamente a ninguna persona a extender el tiempo o el alcance de esta garantía.

Para más información sobre esta garantía limitada, póngase en contacto con Bruno utilizando la información de contacto que se muestra a continuación:

En Norteamérica:

Bruno Independent Living Aids, Inc.®
Attn: Departamento de servicio
1780 Executive Drive
Oconomowoc, Wisconsin 53066 United States
Tel. (toll free) 1-800-882-8183

En en Reino Unido y Europa:

Bruno
Unit 5, Millennium Court,
Clayhill Industrial Park Neston,
Wirral CH64 3UZ Reino Unido
Tel. 0151 559 0732



ELAN MONTE-ESCALIER DROIT **SRE-3050**

11-01-19
P/N 3050-O

(English / ingles / anglais 1)
(Spanish / español / espagnol 19)

PRODUCT REGISTRATION  Made in USA

Please fill out and return this card or register online.

First Name: _____ Last: _____
Address: _____ City: _____
State/Province: _____ Zip/Postal Code: _____
Phone: (____) _____ Email Address: _____
Date of Purchase (mm/dd/yy): _____

Rate your Bruno deal:
 excellent good average poor

Rate your Bruno product:
 excellent good average poor

Register online at bruno.com/warranty



Bruno est heureux de vous offrir ce produit destiné à fournir une plus grande autonomie.

La fiche de validation de garantie est incluse dans le sac en plastique avec ce manuel. Il est très important de remplir cette fiche et de la renvoyer à Bruno le plus tôt que possible afin de compléter l'enregistrement de votre monte-escalier.

Le **numéro de série** se trouve sur la page de couverture de ce manuel, ainsi que sur le monte-escalier.

On doit obligatoirement fournir les numéros de série et de modèle lors d'une demande de bénéfice de la garantie, d'une intervention d'entretien ou d'une commande de pièces. Nous recommandons de garder ces numéros dans un lieu facilement accessible en tout temps.

NOTER: La garantie du monte-escalier Elite SRE-3050 est rendue nulle et non avenir s'il est installé par une personne quiconque autre qu'un installateur autorisé compétent de Bruno.

Renseignements réglementaires et caractéristiques	40
Sécurité	41
Disjoncteur	42
Siège	42
Mode d'emploi	43-49
<i>siège pivotant standard.</i>	43
<i>siège pivotant automatique (en option)</i>	44
<i>repose-pieds automatique (en option)</i>	45
<i>rail repliable (en option)</i>	46
<i>rail repliable électrique (en option).</i>	47-48
Chargeur de batteries.	49
Télécommandes.	50
Maintenance	51
Recherche des causes de panne.	52
Periodes de non utilisation/vacances	53
Garantie	54



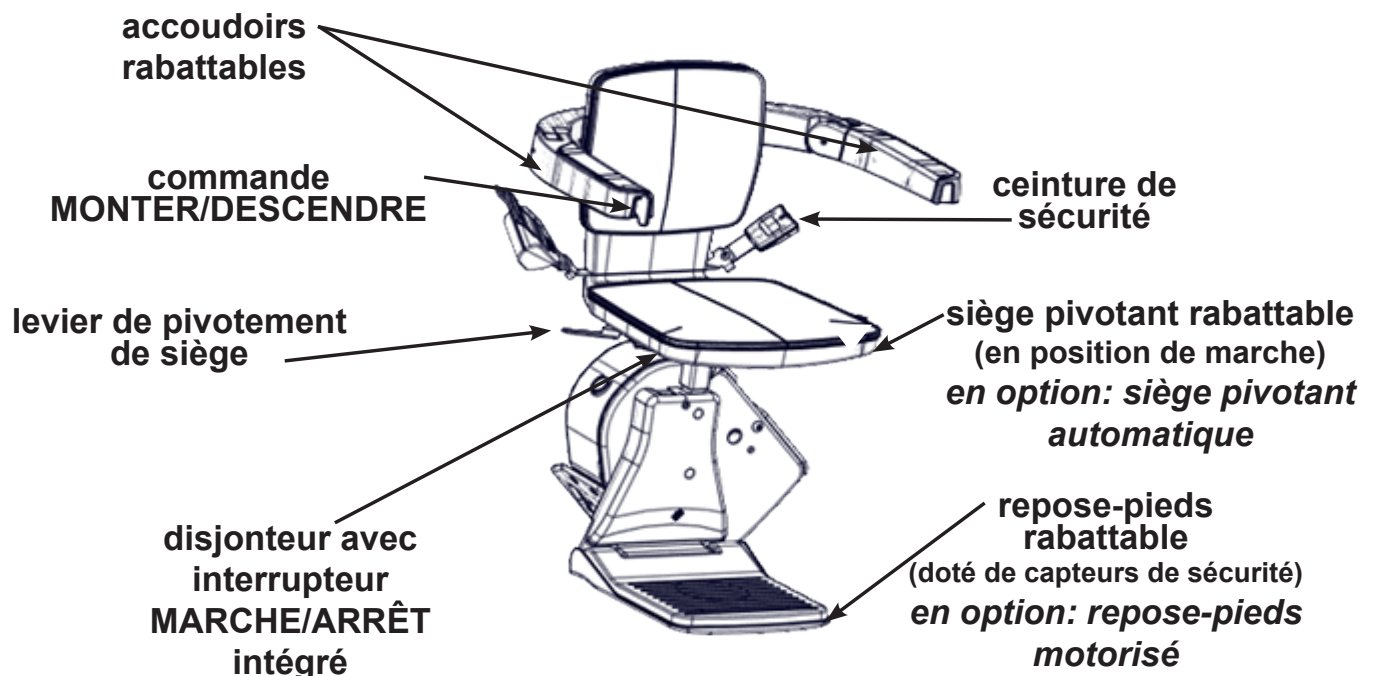
- Ce monte-escalier est destiné à être installé conformément à l'édition actuelle des documents suivants:
- EN 81-40:2008 Règles de sécurité pour la construction et l'installation des élévateurs - Élévateurs spéciaux pour le transport des personnes et des charges - Partie 40: Ascensièges et plates-formes élévatrices inclinées à l'usage des personnes à mobilité réduite
 - ASME A18.1:2017 Norme de sécurité pour les plates-formes élévatrices et les ascensièges
 - CAN/CSA-B613-00 (R2012) - Appareils élévateurs d'habitation pour personnes handicapées
 - ASME A17.5/CSA B44.1 - 2019 Appareillage électrique d'ascenseurs et d'escaliers mécaniques
 - NFPA 70: Code électrique national
 - CSA C22.1 Code électrique canadien

Vérifier les codes locaux applicables auprès des autorités réglementaires compétentes.

SPECIFICATIONS

<i>Poids max. utilisateur:</i>	136 kg (300 livres)
<i>Commande:</i>	pression continue (interrupteur d'accoudeur et deux télécommandes)
<i>Inclinaison max.:</i>	45 degrés, commandes spéciales jusqu'à 52 degrés
<i>Pivotement du siège:</i>	0, 67 et 90 degrés en haut des escaliers seulement
<i>Chargeur des batteries:</i>	120VCA, 60Hz, entrée de 0,35A; 24VCC, sortie de 1A, surveillance continue

ÉLÉMENTS CONSTITUTIFS DU SRE-3050



POUR VOTRE SÉCURITÉ

- Lire et comprendre tous les modes d'emploi et toutes les précautions de sécurité avant d'utiliser le SRE-3050.
- Veiller à l'absence de tout obstacle sur l'escalier avant de faire fonctionner le monte-escalier.
- Être toujours attentif à la surface sur laquelle on marche lors de la montée et de la descente du monte-escalier.
- Éviter de porter des objets lorsque l'on est assis sur le monte-escalier pour ne pas nuire au mouvement ascendant et descendant du monte-escalier.
- Ne pas porter de vêtements AMPLES pouvant nuire au mouvement du monte-escalier.
- Boucler la ceinture de sécurité avant de faire fonctionner le monte-escalier.
- Veiller à ce que le siège soit convenablement verrouillé en place avant la mise en marche du monte-escalier.
- Veiller à ce que la zone de pivotement du siège soit exempte d'obstacles avant de pivoter le siège à partir de sa position de départ et avant de repositionner le siège.
- Veiller à ce que le siège soit convenablement verrouillé en place avant de s'asseoir sur le siège ou de quitter le siège.
- Veiller à l'absence de tout obstacle pouvant nuire au mouvement ascendant et descendant du repose-pieds automatique en option (si le monte-escalier en est équipé).
- UTILISATEURS NON AMULBATOIRES: Bruno recommande de porter un téléphone mobile ou sans fil, ou un dispositif de communication urgente lorsque l'on est seul dans la maison quand on se sert du monte-escalier.

Chaque monte-escalier est conçu de façon à descendre l'escalier à une vitesse légèrement moins vite que celle de la montée.

Le repose-pieds est équipé de *capteurs sur les bords* qui arrêtent le chariot en cas de rencontre avec un objet gênant sur les escaliers.

Dans ce cas, appuyer sur l'interrupteur à bascule MONTER/DESCENDRE (situé sur l'accoudoir) dans le sens qui dégage le chariot de l'obstacle. Enlever l'obstacle de l'escalier ou du rail puis remettre le monte-escalier en service dans le sens désiré.

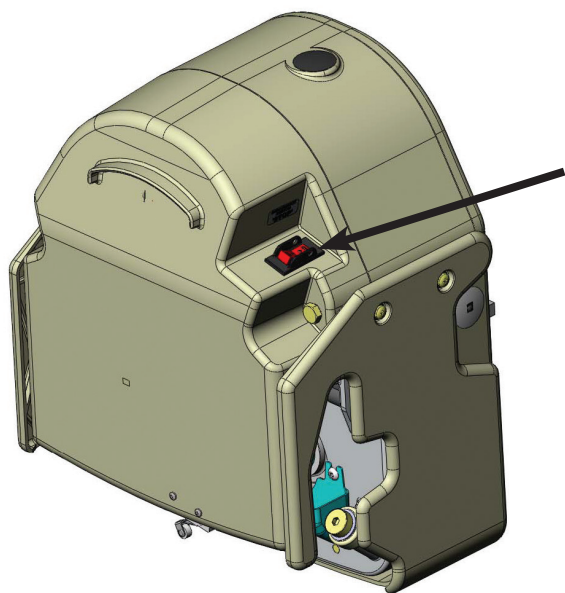
Le SRE-3050 fonctionne sur batteries et continuera à fonctionner pendant un certain temps après une panne d'électricité. La durée du fonctionnement après la panne dépendra de la condition des batteries, de la longueur de l'escalier et du poids de l'utilisateur.

Il ne sera nécessaire de couper l'alimentation (disjoncteur sur le chariot) et de débrancher le chargeur de la prise murale (pour conserver la charge des batteries) que dans le cas d'une panne prolongée (plus d'une heure).

Le **siège pivotant automatique en option** est doté d'un détecteur de surcharge de courant qui empêche le pivotement du siège en cas de détection d'un blocage.

Le **repose-pieds motorisé en option** est doté d'un détecteur de surcharge de courant qui retourne le repose-pieds à sa position précédente en cas de détection d'un blocage.

Le **repose-pieds motorisé en option** est doté d'un détecteur de surcharge de courant qui empêche l'endommagement de l'appareil en cas de détection d'un blocage.



Le SRE-3050 est muni d'un disjoncteur qui comprend un interrupteur MARCHE/ARRÊT incorporé. Il est situé sur le dos du chariot.

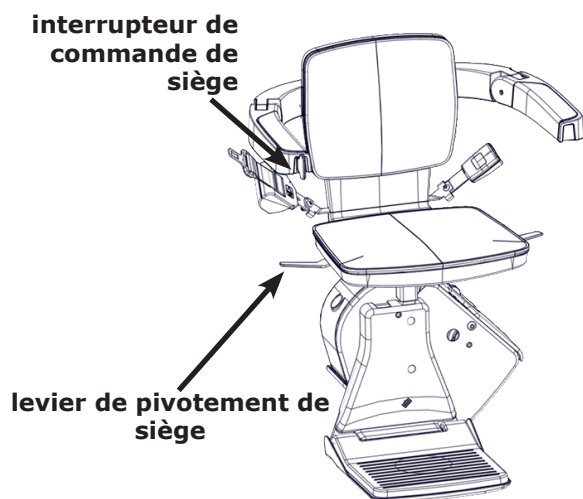
Le disjoncteur sert à protéger la batterie, le contrôleur et les circuits du moteur dans le chariot.

Le déclenchement du disjoncteur dans des conditions d'utilisation normales est peu probable. Cependant, si le monte-escalier cesse de fonctionner, examiner d'abord le disjoncteur. Remettre celui-ci en fonction, si nécessaire.

Causes possibles du déclenchement du disjoncteur:

- présence d'un objet étranger qui bloque le rail ou la crémaillère;
- dépassement du poids nominal admissible du monte-escalier.

SIÈGE



Grâce à sa conception exceptionnelle, le bloc siège de l'Élan pivote et se verrouille sur 0, 67 et 90 degrés.

Pousser sur le levier de pivotement de siège (soit celui de droite, soit celui de gauche) pour actionner le pivotement du siège à la position convenant le mieux au transfert.

Une fois le levier relâché, le siège se verrouillera dans la position la plus proche des trois positions indiquées ci-dessus.

Pour déplier le siège afin de le remettre à sa position de service, il suffit simplement de pousser sur le coussin du siège.

SIÈGE PIVOTANT STANDARD

Le SRE-3050 est doté d'une fonction "soft-start" (démarrage en douceur) qui empêche le démarrage brutal du monte-escalier au moment que l'on appuie sur l'interrupteur MONTER/DESCENDRE.

Appuyer sur l'interrupteur sans le relâcher pendant un moment pour entamer l'accélération douce du monte-escalier jusqu'à la vitesse de service.

Une pression ininterrompue sur l'interrupteur à bascule fera déplacer le chariot jusqu'à ce qu'il s'arrête automatiquement en haut ou en bas de l'escalier, ou que l'on cesse d'appuyer sur l'interrupteur.

Les deux (2) télécommandes permettent d'appeler le chariot, ou de le renvoyer, en haut ou en bas de l'escalier.

Les télécommandes sont conçues uniquement pour l'appel ou le renvoi d'un **siège inoccupé!**

Elles NE SONT PAS conçues pour faire déplacer un siège avec une personne à bord.

1. Tourner la clé de contact sur ON (MARCHE).
2. S'installer sur le siège.
3. Boucler la ceinture de sécurité.
4. Appuyer continuellement sur le levier de pivotement du siège.
5. Pivoter le siège jusqu'à ce qu'on se trouve à angle droit au rail (le dos de l'utilisateur au mur).
6. Relâcher le levier de pivotement afin de verrouiller le siège en position.

Un interrupteur de sécurité empêche le fonctionnement du SRE-3050 à moins que le siège ne soit convenablement verrouillé en position à angle droit au rail (position de service).

7. Déplier complètement les deux accoudoirs.

À NOTER: Si les accoudoirs ne sont pas complètement dépliés, un interrupteur de sécurité désactive l'interrupteur à bascule, ce qui empêche le fonctionnement du monte-escalier.

8. Mettre les deux pieds solidement sur le repose-pieds et laisser reposer les bras sur les accoudoirs.
9. Appuyer continuellement sur l'interrupteur à bascule (situé sur le bord antérieur de l'un des accoudoirs) pour MONTER ou DESCENDRE le rail.
10. Dès que l'on arrive au palier en haut ou en bas, cesser d'appuyer sur l'interrupteur à bascule.
11. Appuyer continuellement sur le levier de pivotement du siège pendant que l'on pivote le siège pour se préparer à quitter le siège.

À NOTER: Le siège ne pivote que lorsqu'il se trouve au palier en haut.

12. Relâcher le levier de pivotement afin de verrouiller le siège en position.
13. Déboucler la ceinture de sécurité et quitter doucement le siège.

MODE D'EMPLOI: siège pivotant automatique (en option)

SIÈGE PIVOTANT AUTOMATIQUE (en option)

1. S'installer sur le siège.
2. Boucler la ceinture de sécurité.
3. Mettre les deux pieds solidement sur le repose-pieds et laisser reposer les bras sur les accoudoirs.
4. Appuyer continuellement sur l'interrupteur à bascule (situé sur le bord antérieur de l'un des accoudoirs) pour MONTER ou DESCENDRE le rail.
5. Dès que l'on arrive au palier en haut ou en bas, cesser d'appuyer sur l'interrupteur à bascule.
6. Pour pivoter le siège **au palier en haut**, appuyer encore une fois sur l'interrupteur à bascule du même côté.
7. Relâcher l'interrupteur à bascule après avoir pivoté complètement le siège.
8. Déboucler la ceinture de sécurité et quitter doucement le siège.

À NOTER:

- ***Il est possible de remettre le siège automatique pivoté à sa position de départ en se servant des télécommandes.***
- ***En cas d'arrêt inattendu en cours de marche, rechercher la présence d'objets étrangers ou l'existence de une charge excessive. Il ne sera possible que de se déplacer dans le sens opposé, jusqu'à l'élimination de la cause de la surcharge.***

REPOSE-PIEDS MOTORISÉ (en option)

Si votre monte-escalier est doté d'un repose-pieds motorisé **en option**), lire le mode d'emploi suivant.

1. Replier le **siège** pour faire replier le repose-pieds.
2. Déplier le **siège** pour faire déplier le repose-pieds (position de service).

À NOTER:

- ***Ne pas tenter de replier ou de déplier manuellement le repose-pieds. Se servir toujours du siège repliable pour replier ou pour déplier le repose-pieds.***

L'inobservation de cette consigne risque d'endommager le monte-escalier.

- ***En cas de blocage quand on déplie ou replie le repose-pieds, le repose-pieds tentera de retrouver sa position précédente, ce qui provoquera l'affichage d'une erreur de séquence.***

Pour rétablir le fonctionnement normal:

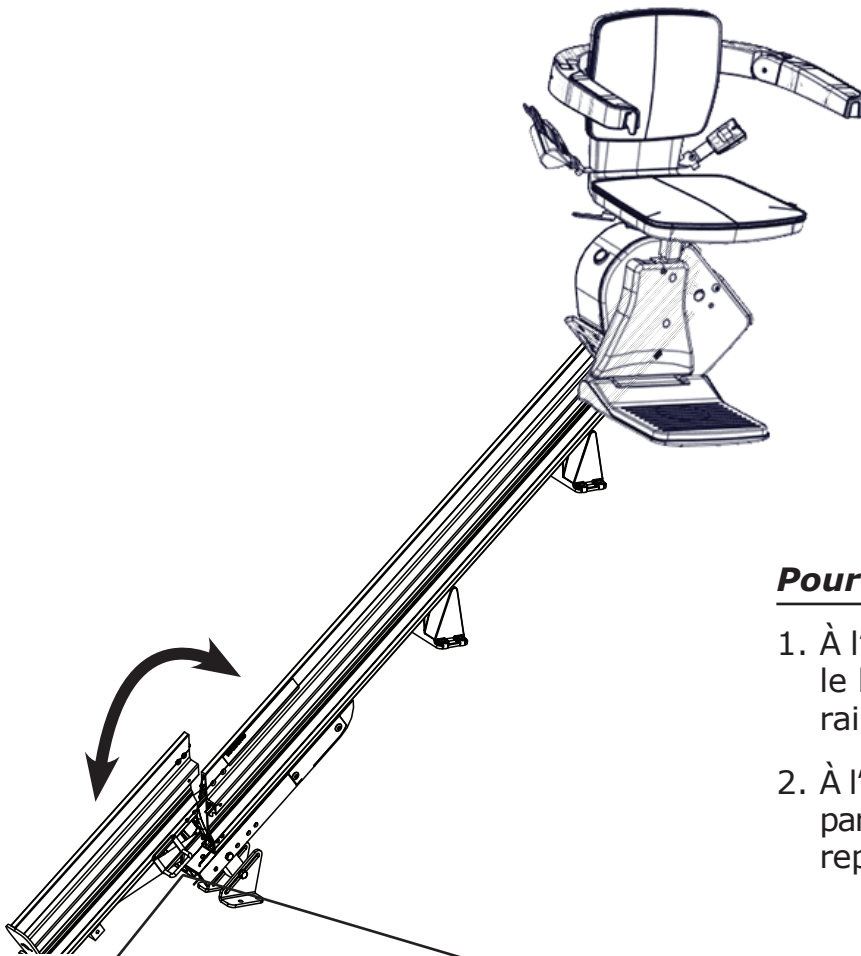
- ◇ ***Éliminer le blocage.***
- ◇ ***Déplier et replier le siège plusieurs fois jusqu'à ce que le repose-pieds fonctionne convenablement.***
- ◇ ***Si l'on ne réussit pas à rétablir le fonctionnement normal, prendre contact avec un technicien Bruno.***

MODE D'EMPLOI: rail repliable MANUEL (en option)



Avant de replier le rail, le chariot **DOIT ÊTRE GARÉ** soit sur le **point de stationnement médian**, soit **en haut** de l'escalier!

L'endommagement du chariot **SE PRODUIRA** si le chariot est garé au-dessous du point de stationnement médian.



AVERTISSEMENT

POINT DE PINCEMENT!

S'assurer que les zones au-dessus et au-dessous du rail repliable sont dégagées avant de faire fonctionner le rail repliable.

Écarter les enfants et les animaux de compagnie à une distance sûre.

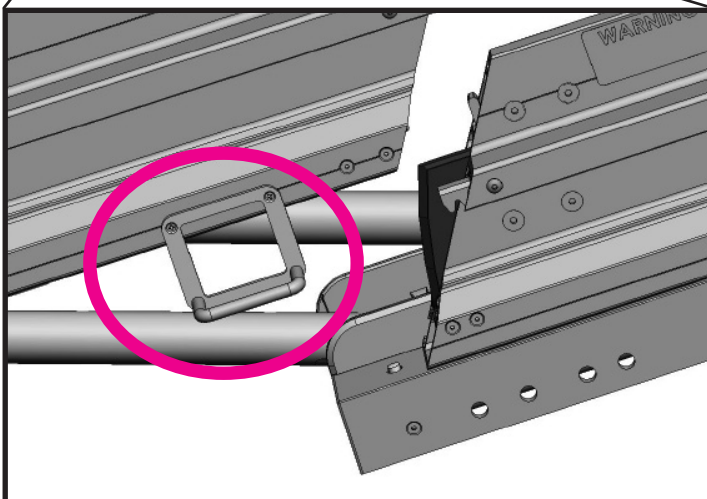
L'inobservation de cette consigne risque de causer des blessures ou d'endommager le matériel.

Pour REPLIER le rail:

1. À l'aide de la manette, tirer doucement vers le haut, puis vers la partie supérieure du rail.
2. À l'aide de la manette, abaisser doucement la partie repliable du rail jusqu'à ce qu'elle repose sur le rail principal (voir à gauche).

Pour DÉPLIER le rail:

1. À l'aide de la manette, tirer doucement vers le haut, puis vers la partie inférieure du rail.
2. À l'aide de la manette, abaisser doucement la partie repliable du rail jusqu'à ce qu'elle repose sur le sol (voir à gauche).



MODE D'EMPLOI: rail repliable ÉLECTRIQUE (en option)

AVERTISSEMENT

POINT DE PINCEMENT!

S'assurer que les zones au-dessus et au-dessous du rail repliable sont dégagées avant de faire fonctionner le rail repliable.

Écarter les enfants et les animaux de compagnie à une distance sûre.

L'inobservation de cette consigne risque de causer des blessures ou d'endommager le matériel.

Le rail repliable **électrique** est très semblable au rail repliable manuel sauf que la version électrique possède un déclenchement motorisé intégré à l'articulation du rail servant à replier et à déplier automatiquement la partie repliable du rail.

Le rail repliable électrique comprend un point de stationnement médian.

- **Au-dessus** de ce point médian, le rail doit toujours être **replié**.
- **Au-dessous** de ce point médian, le rail doit toujours être **déplié**.

Ne pas tenter de replier ou de déplier manuellement le rail!

L'alimentation de service du rail repliable électrique provient du chariot.

On l'actionne:

- par l'intermédiaire du monte-escalier lorsque l'on est à bord;
- par l'intermédiaire des télécommandes.

À bord du monte-escalier

Si l'on se trouve en haut de l'escalier, appuyer sur l'interrupteur de l'accoudoir pour descendre jusqu'au point de stationnement médian, puis relâcher l'interrupteur.

Examiner le long de l'escalier afin de vérifier l'absence de tout obstacle pouvant gêner le fonctionnement du rail repliable!

Appuyer de nouveau sur l'interrupteur de l'accoudoir, dans le sens descendant.

Le rail repliable se déplie.

La descente du monte-escalier ne s'entame qu'après que le rail se déplie complètement et touche au sol.

Relâcher l'interrupteur une fois que le rail touche au sol.

Une fois le rail déplié, appuyer encore une fois sur l'interrupteur à bascule, sans le relâcher, jusqu'à ce que le monte-escalier arrive à son terminal en bas de l'escalier.

Si l'on est en bas de l'escalier, appuyer sur l'interrupteur de l'accoudoir pour monter jusqu'au point de stationnement médian, puis relâcher l'interrupteur.

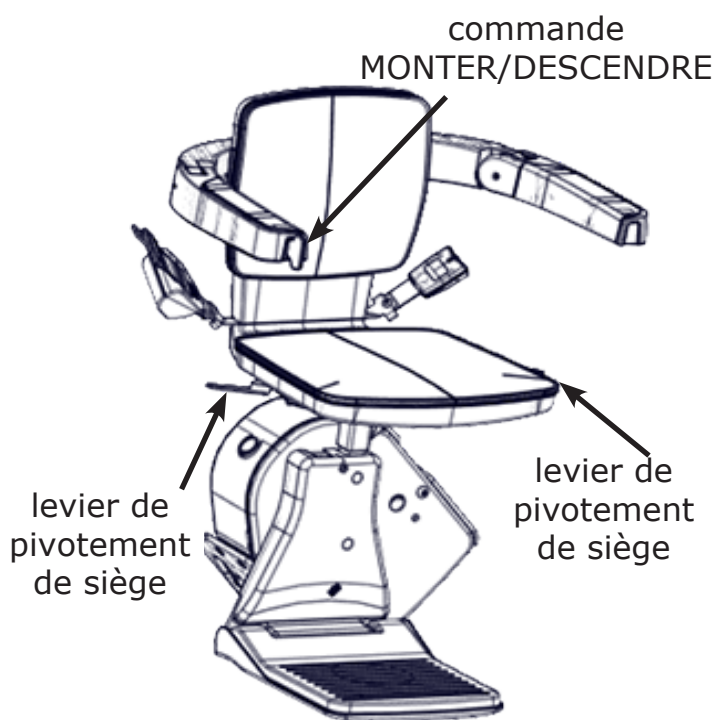
Examiner le long de l'escalier afin de vérifier l'absence de tout obstacle pouvant gêner le fonctionnement du rail repliable!

Appuyer de nouveau sur l'interrupteur de l'accoudoir, dans le sens ascendant.

Le rail repliable se replie.

La montée du monte-escalier ne s'entame qu'après que le rail se replie complètement.

Une fois le rail replié, appuyer encore une fois sur l'interrupteur, sans le relâcher, jusqu'à ce que le monte-escalier arrive à son terminal en haut de l'escalier.



À NOTER

Un signal sonore se fait entendre toute fois que le rail repliable est en mouvement pour avertir du fait que le rail est en service toute personne à proximité.

En plus, le DEL jaune du panneau de commande clignote.

MODE D'EMPLOI: rail repliable ÉLECTRIQUE (en option)

Par télécommandes

Si l'on se trouve en bas de l'escalier, se servir de la télécommande pour appeler le monte-escalier.

Si le monte-escalier se trouve à une position supérieure au point de stationnement médian, le rail repliable ne se déplie qu'après le contact du siège avec le point de stationnement médian.

Dès que le monte-escalier arrive au point de stationnement médian, appuyer encore une fois sur le bouton DOWN (DESCENDRE) de la télécommande pour actionner le dépliage du rail.

Se tenir à l'écart du rail pendant son dépliage!

Si l'on se trouve en bas de l'escalier, voulant garer le monte-escalier avec son rail replié, se servir de la télécommande pour renvoyer le monte-escalier au point de stationnement médian. Appuyer encore une fois sur le bouton UP (MONTER) de la télécommande pour actionner le repliage du rail.

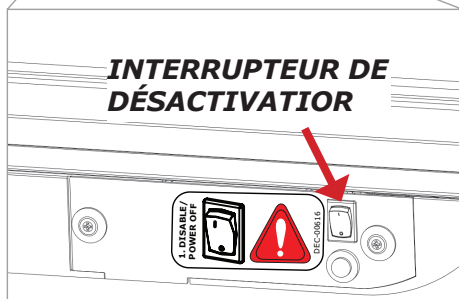
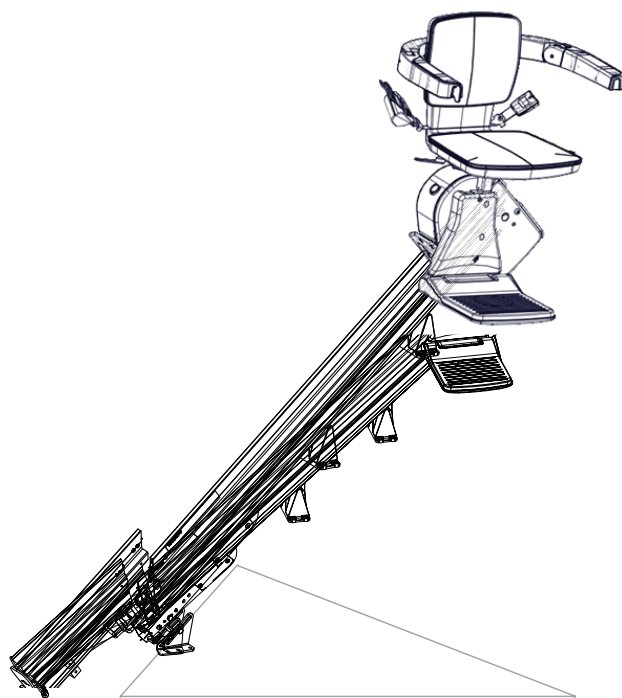
Se tenir à l'écart du rail pendant son repliage!

Le rail repliable électrique est équipé de mécanismes de sécurité servant à réduire le risque de blessures aux personnes et aux animaux de compagnie, ainsi que le risque de dégâts matériels.

Si le rail repliable électrique détecte la présence d'un objet étranger, il s'arrête et se déplace brièvement dans le sens opposé.

Pour reprendre le mouvement dans le sens désiré:

1. enlever l'objet étranger,
2. appuyer soit sur l'interrupteur à bascule (accoudoir), soit sur le bouton de la télécommande pour reprendre le mouvement dans le sens opposé,
3. appuyer encore une fois sur l'interrupteur à bascule pour reprendre le mouvement dans le sens désiré.



Interrupteur de désactivation

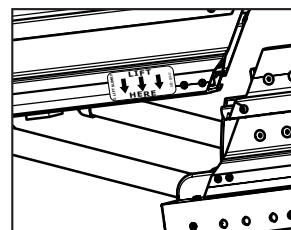
Le panneau de commande comprend un interrupteur de désactivation. Si l'on met cet interrupteur sur la position ON (ACTIVER), on empêche le repliage et le dépliage du rail. Cette fonction est destinée à servir lorsque l'on préfère garder le rail dans sa position dépliée pendant une période de temps prolongée.

Veillez à remettre l'interrupteur sur OFF (DÉSACTIVER) lors de la remise en service du rail repliable électrique!

UNIQUEMENT EN CAS D'URGENCE!

S'il faut replier ou déplier le rail repliable électrique, et que cette action n'est possible ni à l'aide de l'interrupteur à bascule, ni par moyen des télécommandes, mettre l'interrupteur de désactivation sur ON (ACTIVER). Replier ou déplier le rail DOUCEMENT à main.

Assurez-vous de soulever lentement où indiqué par le "LIFT HERE" autocollant sur le rail court. Le fait de soulever le rail dans un mouvement rapide et soudain peut endommager la boîte de vitesses du rail pliant.



CHARGEMENT DES BATTERIES

Garder les batteries chargées pour assurer le fonctionnement optimal du SRE-3050.

Les batteries sont en cours de charge chaque fois que le chariot est garé à n'importe quelle position sur le rail.

Si l'on ne garde pas les batteries en état de pleine charge, ou que l'on les laisse décharger complètement, les batteries subiront l'épuisement bien prématuré.

Une vérification périodique des DEL du chargeur de batteries assurera l'utilisateur de la charge appropriée des batteries.

DEL : Chargeur de batteries

COULEUR/FONCTION DEL	STATUS/PROBLEME	REMEDY
rouge	sous tension CA	Veiller au branchement du chargeur sur une prise sous tension.
rouge (cligotant)	batteries défectueuses	Prendre contact avec un distributeur autorisé Bruno.
jaune	en cours de charge	OK
vert	charge complète de la batterie/ charge d'entretien en cours	OK

TÉLÉCOMMANDES

La télécommande du SRE-3050 peut subir certaines interférences causées par les équipements de communication RF portables et mobiles. Cependant, le SRE-3050 Elan se sert de communications infrarouges (IR) pour minimiser la possibilité d'interférences.

En plus, on a monté des récepteurs des deux côtés du chariot afin de minimiser les interférences.

S'il se produisent des interférences, le monte-escalier s'arrêtera. Cette fonction fait partie intégrante du SRE-3050 Elan pour assurer la sécurité de l'utilisateur.

La ligne de visée entre l'émetteur et l'une ou l'autre des (2) télécommandes doit être exempte d'obstacles pour permettre le fonctionnement optimal du monte-escalier. Il peut s'avérer nécessaire de changer la position des télécommandes pour qu'elles soient orientées vers le chariot.

Pour réduire la possibilité d'interférences:

- Lorsque l'on est assis sur le siège, **TOUJOURS** se servir de l'interrupteur à bascule (accoudeur) pour faire fonctionner le monte-escalier.
- L'utilisation d'une télécommande pour faire fonctionner le monte-escalier pendant que l'on est assis sur le siège risque de créer des interférences.
- **NE** monter les télécommandes **NI** derrière un obstacle tel qu'un poteau **NI** autour d'un coin.
- **NE PAS** exposer les télécommandes aux rayons directs du soleil (ce qui rend aveugle les récepteurs faisant partie du chariot).
- CHANGER régulièrement les piles des télécommandes.
- Les piles faibles ou épuisées peuvent avoir un effet néfaste sur la zone effective de service des télécommandes.
- GARDER les télécommandes et la lentille du récepteur exemptes de poussière et de saletés.
- Nettoyer à l'aide d'un nettoyant recommandé pour les surfaces acryliques ou de verre.
- Ne pas utiliser des produits de nettoyage ou de polissage qui contiennent de la cire. Ces produits laisseront un film sur la lentille pouvant réduire la zone effective de transmission des signaux.

Remplacement des piles des télécommandes

Pour remplacer les piles des télécommandes, enlever le panneau d'accès au dos de la télécommande.

Deux piles AA alcalines requises.

Changer les piles une fois par an.



Le SRE-3050 est conçu pour fournir de nombreuses années de service fiable avec un minimum d'entretien.

Pour assurer une vie de service optimale:

- Garder le rail propre et exempt d'objets étrangers.
- Laisser branché le chargeur de batteries sur une prise sous tension en tout temps.
- **Au moins une fois par an**, demander à un technicien autorisé Bruno d'examiner, de nettoyer et de lubrifier le monte-escalier.

Nettoyage du revêtement du siège

Le revêtement du siège ainsi que tous les points de contact entre le siège et l'utilisateur sont fabriqués de matériaux ordinaires sans incident constaté de réactions ou d'irritations.

On a conçu le SRE-3050 en supposant que l'utilisateur porte des chausseurs ainsi que des vêtements qui couvrent le torse. En cas de sensibilités particulières, il est recommandé, comme précautions d'usages, de porter des vêtements qui protègent les zones concernées.

Nettoyage quotidien: Nettoyer à l'eau savonneuse avec un chiffon doux non pelucheux. N'utiliser ni conditionneurs ni protecteurs pour vinyle.

Taches plus tenaces: Se servir de nettoyeurs universels et d'une éponge ou d'un chiffon doux humide. Rincer à l'eau propre et sécher à l'aide d'une serviette non pelucheuse ou d'un chiffon non pelucheux.

RECHERCHE DES CAUSES DE PANNE

Le SRE-3050 ne fonctionne pas comme il faut. Que doit-on faire?

Avant d'appeler un distributeur Bruno, consulter les solutions indiquées ci-dessous afin d'éviter une demande de service inutile.

- **Pivotement du siège.** Le siège, est-il convenablement verrouillé sur la position de service?
- **Repose-pieds.** Existe-il un objet étranger qui entre en contact avec le repose-pieds?
- **Panneaux de sécurité (chariot).** Existe-il un objet étranger sur les escaliers qui contacte les panneaux de sécurité du chariot?
- **Panneau électrique (ou boîte à fusibles) principale de la résidence.**
Existe-il un disjoncteur déclenché ou un fusible fondu?
- **Chargeur de batteries.** Une batterie déchargée fera que le chariot se déplace de plus en plus lentement jusqu'à ce que la tension baisse au niveau où le contrôleur s'arrête.
Dans ce cas, arrêter pendant un moment, puis faire descendre le chariot.
Les batteries partiellement chargées sont capables d'alimenter le chariot dans le sens descendant mais ne peuvent pas le faire fonctionner dans le sens ascendant.
Vérifier le branchement du chargeur sur une prise sous tension. Atteindre jusqu'à ce que les batteries se rechargent. Les DEL rouge et vert sont allumés.
Le chargeur des batteries, est-il branché sur une prise en bon état? *Ne pas se servir de prises contrôlées par un interrupteur mural.*
Le témoin d'alimentation ROUGE, est-il allumé?
- **Vérification visuelle.** Le fonctionnement du monte-escalier, semble-t-il convenable? Y a-t-il quelque chose qui ne va pas?

Si le mauvais fonctionnement du SRE-3050 continue après avoir terminé les vérifications précédentes, ou s'il ne fonctionne plus du tout, demander à un distributeur autorisé Bruno de faire toutes les interventions nécessaires d'entretien, de réparation et de maintenance.

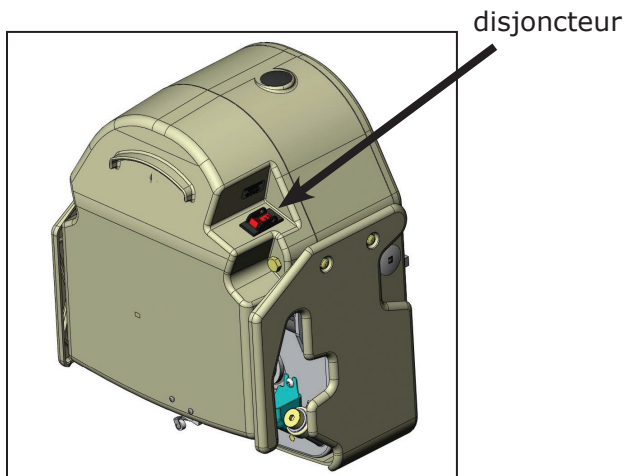
Si le SRE-3050 demeurera hors service pendant une période prolongée, mettre l'interrupteur ON/OFF du disjoncteur du chariot sur OFF (ARRÊT).

Mettre l'interrupteur d'alimentation du chargeur de batteries (s'il en est équipé) sur OFF (ARRÊT) et débrancher le chargeur de la prise murale.

Après une période prolongée de non utilisation, une recharge des batteries peut s'imposer.

Pour recharger les batteries, remettre le disjoncteur sur ON (MARCHE), rebrancher le chargeur dans la prise murale et remettre l'interrupteur d'alimentation du chargeur de batteries sur ON (MARCHE) (s'il en est équipé).

Atteindre la recharge complète des batteries. Vérifier l'état de charge à l'aide des DEL du chargeur de batteries.



GARANTIE LIMITÉE BRUNO GOLD POUR MONTE-ESCALIERS
garantie à vie limitée: éléments constitutifs majeurs — 2 ans pièces détachées

Grâce à la confiance absolue accordée à ses produits conçus et fabriqués aux É.-U., Bruno Independent Living Aids, Inc.^{MD} ("Bruno"), est heureux à fournir à tout premier acheteur la garantie suivante, parmi les meilleures de l'industrie.

La qualité de nos pièces ainsi que l'exécution soignée de nos employés permettent à Bruno d'offrir au premier acheteur de son monte-escalier Bruno la garantie suivante :

- ◇ que toutes les pièces, autres que les éléments constitutifs majeurs, sont/seront exemptes de vices de fabrication et de main-d'œuvre pendant une période de 2 ans à compter de la date d'installation effectuée par un distributeur agréé Bruno.
- ◇ que tous les éléments constitutifs majeurs à inclure le moteur, le système d'entraînement à moteur/boîte d'engrenage et le rail du monte-escalier Bruno sont/seront exempts de vices de fabrication et de main-d'œuvre pendant la vie du produit et aussi longtemps que le premier acheteur reste propriétaire du monte-escalier.
- ◇ que toute main-d'œuvre nécessaire au remède d'une défektivité du produit et effectuée par un distributeur agréé Bruno est couverte pendant les 30 premiers jours à compter de la date d'installation effectuée par un distributeur agréé Bruno.
- ◇ Toutes les garanties Bruno sont à compter de la date d'installation du monte-escalier Bruno dont l'installation a été effectuée par un distributeur agréé Bruno .

Les distributeurs agréés Bruno ont reçu une formation leur permettant d'évaluer votre situation unique, puis d'installer le meilleur produit Bruno qui répond à vos exigences. Les techniciens d'installation et de service formés et employés par les distributeurs agréés Bruno possèdent les ressources et l'équipement nécessaires à la bonne installation et à l'entretien soutenu du monte-escalier. Les distributeurs agréés Bruno sont les premières personnes à contacter pour des questions ayant trait à la garantie ou à l'entretien.

CE QUI N'EST PAS COUVERT PAR LA GARANTIE

- ◇ Dommages qui résultent de l'utilisation négligente ou abusive, des accidents, ou des modifications non effectuées par un distributeur agréé Bruno.
- ◇ Éléments consommables tels que les piles des télécommandes.
- ◇ Toute main-d'œuvre effectuée par un distributeur agréé Bruno après les 30 premiers jours à compter de la date d'installation.
- ◇ Usure habituelle.

REMARQUES SUPPLÉMENTAIRES

- ◇ Toute demande de garantie et d'entretien doit s'adresser au distributeur agréé Bruno ayant effectuée l'installation du produit. Pour assurer que la couverture de la garantie reste intacte, toute intervention d'entretien et de réparation, autre que les interventions d'entretien effectuées par le premier acheteur selon les indications du guide de l'utilisateur, doivent être effectuées par un distributeur agréé Bruno.
- ◇ En aucun cas Bruno ne pourra être tenu pour responsable de tout dommage indirect, spécifique ou consécutif, qu'il s'agisse de dommages résultant de réclamations fondées sur la garantie, le contrat, le délit (y compris la négligence, la responsabilité stricte ou du fait du produit).
- ◇ Bruno, à sa seule discrétion, se réserve le droit de remplacer, de réparer, ou s'il n'est ni pratique ni faisable d'un point de vue commerciale, d'opter à rembourser le prix d'achat au premier acheteur.
- ◇ La présente garantie accorde au premier acheteur des droits légaux spécifiques, et d'autres droits, lesquels varient d'une région à l'autre. Bruno n'autorise personne à prolonger la période de la présente garantie, ni à élargir le cadre de la garantie.

Pour de plus amples renseignements portant sur la présente garantie limitée, prière de prendre contact avec Bruno. Ses coordonnées sont indiquées ci-dessous.

Amérique du Nord:

Bruno Independent Living Aids, Inc.®
Attn: Service Technique
1780 Executive Drive
Oconomowoc, Wisconsin 53066 É.-U.
Tel. (sans frais) 1-800-882-8183

Royaume-Uni et Europe

Bruno
Unit 5, Millennium Court,
Clayhill Industrial Park Neston,
Wirral CH64 3UZ Royaume-Uni
Tel. 0151 559 0732

Innovative solutions

for your indoor and outdoor lifestyle



Indoor Stairlifts



Outdoor Stairlifts



Scooter/Powerchair Lifts



Vertical Platform Lifts



Bruno Independent Living Aids, Inc.
1780 Executive Drive, Oconomowoc, WI 53066
800-882-8183 • www.bruno.com

© Bruno Independent Living Aids, Inc. 2019

All illustrations and specifications in this brochure are based on the latest product information available at the time of publication. Bruno Independent Living Aids, Inc. reserves the right to make changes at any time without notice. 2019-10-14-Manual-Back-Cover.indd

P/N 3050-O