

# PROGRAMMING INSTRUCTIONS

## -Garage Door Opener-

### ⚠ WARNING

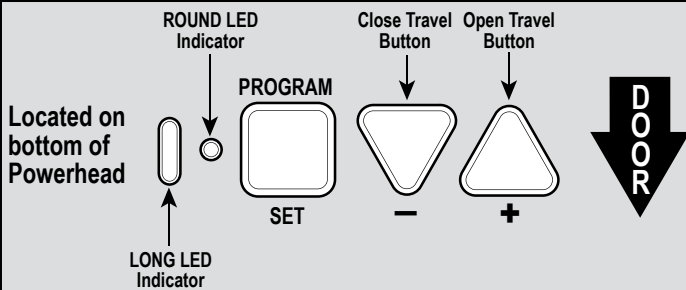
- Make sure doorway is in view and clear of obstacles and people to avoid injury or damage to property.
- DO NOT operate this unit from wall console before LIMITS are set. Severe damage to the opener can occur.
- The shuttle MUST be engaged to carriage BEFORE setting limits.
- DO NOT set limits while in Battery Back-up mode. AC power MUST be connected to the opener, while setting limits for proper operation.

**NOTE: Before setting limits, confirm wall console's red indicator light (or the back light) is ON and that there are no flashing LEDs on the opener's powerhead. If wall console is illuminated or the opener LEDs are flashing, check for correct wiring or review if the Sure-Lock (vacation lock) has been accidentally activated.**

### ORIENTATION

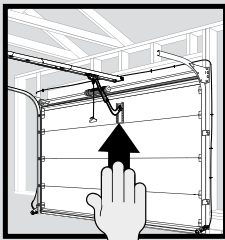
Because lighting conditions in most garages are inherently poor, making it hard to read the programming controls, the illustration below is offered for assistance.

Standing under the opener's powerhead – facing the door – looking up – this is the view you will see of the programming buttons and LEDs

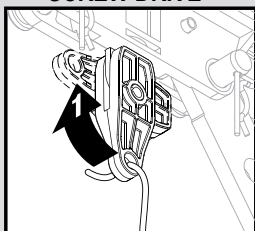


- Just remember—the pointed end of the button (like an arrowhead) points in the direction the carriage will move when that button is pushed.

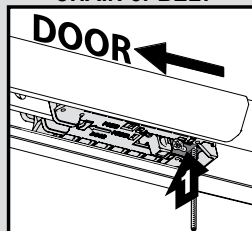
1. Lift the garage door by hand until the carriage engages the shuttle/bullet on the rail.



#### SCREW DRIVE



#### CHAIN or BELT



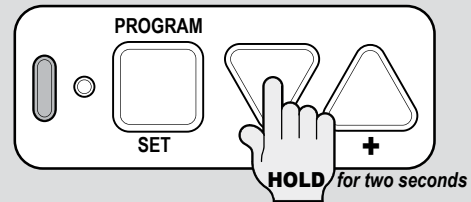
## -Travel Limits-

### Set Closed Position

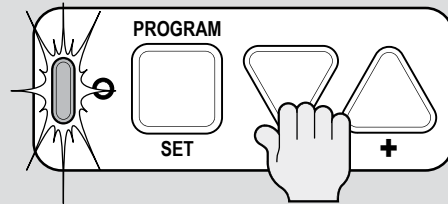
**Read and understand Steps 2–5 before proceeding**

**NOTE:** While setting limits, the powerhead has a 30 second time-out period when none of the three programming buttons have been selected. If you see two solid red flashing LEDs or if the LEDs flash red three times and then go OFF, you have run out of time and must go back to the beginning of the travel limit setting step.

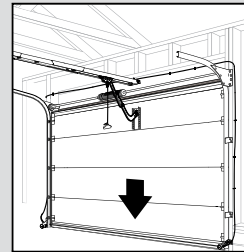
2. Press and hold the down arrow button (-) for two seconds or until the long LED comes on blue. (The round LED stays off.)



3. Release down arrow button (-) and the long LED will begin flashing blue. (Round LED still off.)

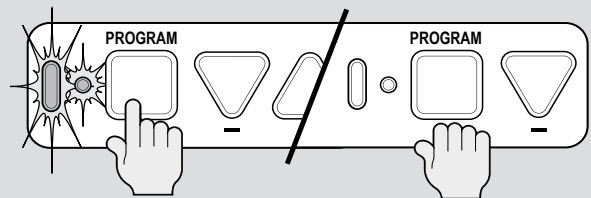


4. Press and hold the down arrow button (-) to begin closing the garage door. When the garage door is fully closed, release the down button (-). If you have gone too far press and release the up button (+) to move the door up slightly. You may jog up or down with the arrow buttons. The door should rest tightly on the floor.



5. Press and release the program/set button—both LEDs flash blue and then go off.

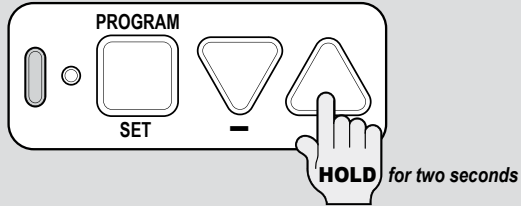
**The DOWN (CLOSED) TRAVEL LIMIT IS NOW PROGRAMMED.**



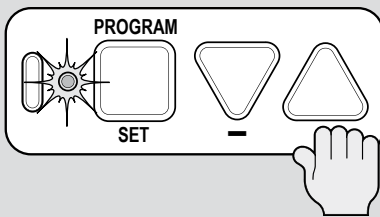
## Set Open Position

**Read and understand Steps 6–9 before proceeding**

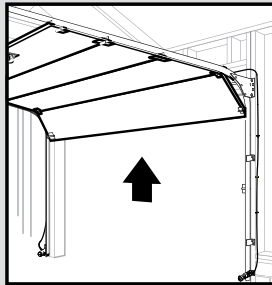
- 6.** Press and hold the up arrow button (+) for two seconds or until the long LED comes on blue. (The round LED stays off.)



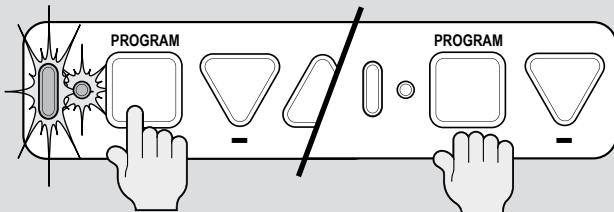
- 7.** Release up arrow button (+) and the round LED will begin flashing blue. (The long LED will go off.)



- 8.** Press and hold the up arrow button (+) to begin opening the garage door. When the garage door is fully opened, release the up button (+). If you have gone too far press and release the down button (-) to move the door down slightly. You may jog up or down with the arrow buttons. Stop the shuttle/carriage short of the opener powerhead. It is important for the red cord to be clear of the powerhead to allow for manual door operation.



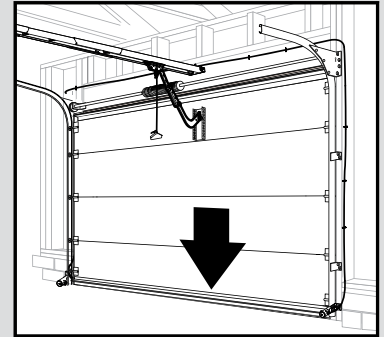
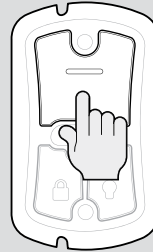
- 9.** Press and release the program/set button—both LEDs flash blue and then go off.  
**The UP (OPEN) TRAVEL LIMIT IS NOW PROGRAMMED.**



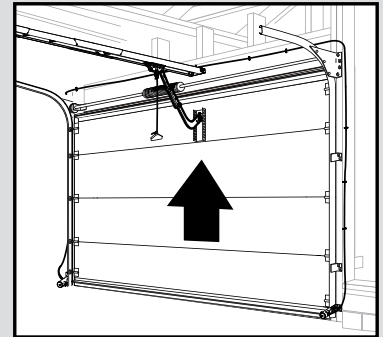
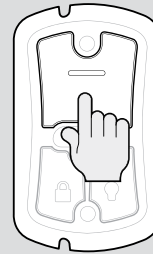
## -Learn Force Limits-

The force and speed controls are automatically set when you use the wall console for the first time with your garage door. The door **MUST** complete one full cycle, from open to close and then, close to open, before the settings are automatically recorded.

- 10.** Press and release the wall console Open/Close button and allow your garage door to travel and stop at the down (closed) limit.



- 11.** Press and release the wall console Open/Close button and allow your garage door to travel and stop at the up (open) limit.



**NOTE:** Force and speed controls **DO NOT** require programming. Force and speed limits are factory set and rarely require adjustments.

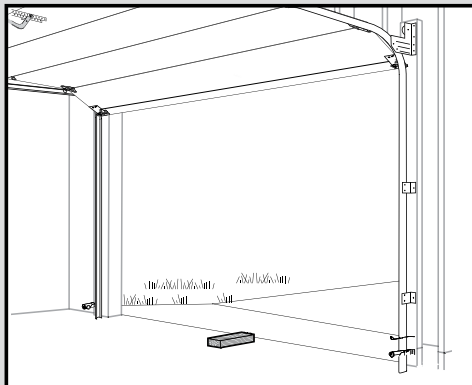
**FORCE AND SPEED CONTROLS ARE NOW SET.**

Proceed to Contact Reverse Test on next page

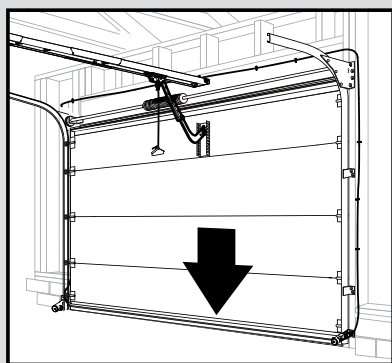
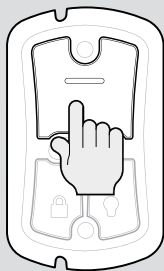
## -Contact Reverse Test-

**NOTE:** The Limit and Force settings **MUST BE COMPLETED** before performing the Contact Reverse Test.

1. With your garage door open, lay a 2" x 4" board flat on the floor at the center of the door opening.



2. Close the garage door using the Open/Close button on the wall console.



When the door contacts the board, it should stop and reverse direction within two seconds to the fully open position. Red LED lights on the powerhead will begin to flash with the reversal of the door. Remove the 2" x 4" board after a successful contact reversal test. The next cycle will clear the flashing red LEDs.

## Contact Reverse Adjustment

If the door stops before contacting the board or if it does not reverse direction to fully open after contact with the board, it may be due to an improperly set DOWN limit. Verify settings by:

1. Repeat the "Down Travel Limit" section (page 1) to make certain the door is closing tight against the floor.
2. Repeat the "Learn Force Limits" section on the left to set force limits.
3. Repeat the "Contact Reverse Test" above.

**Repeat this process as needed until the door passes the Contact Reverse Test.**

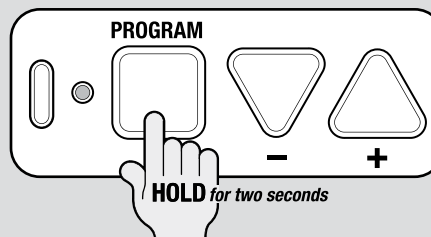
## -Programming Remotes-

**NOTE:** The following instructions are for remote control transmitters purchased separately in addition to those provided with this opener, but can also be used for remote(s) that require re-programming.

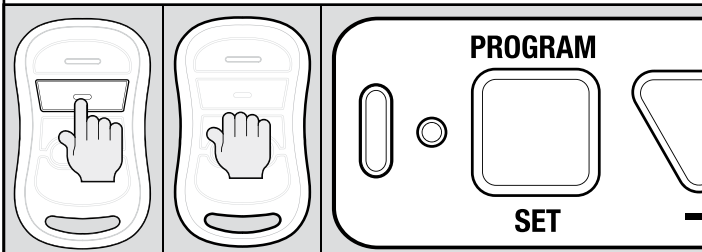
**NOTE:** You have 30 seconds to execute each programming step. If you see two flashing red LEDs on the powerhead, you have run out of time and must go back to the beginning of step 1 and start over. You can restart as many times as necessary to complete each step.

**NOTE:** All remotes (including older model remotes, whether they be one, two or three button types) work totally independent of each other. Each of your new three-button remotes can operate up to three different openers. They can be programmed to operate the same or compatible openers. Each button on each remote must be programmed separately, following these steps:

1. Press and hold the program button on the opener for two seconds, until the round LED turns blue, then release. The long purple LED will flash.

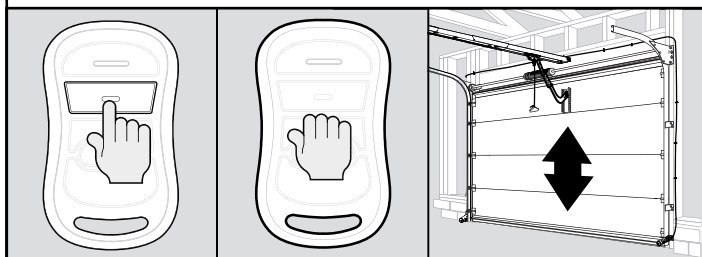


2. Slowly press and release the remote button of your choice two times. The opener LEDs will flash and go off, indicating you have successfully programmed your remote.



**NOTE:** While programming remote buttons, stand at least 5 feet away from the powerhead. This ensures you have proper communication between the remote and the powerhead.

3. Press and release the same button again and door will open or close.



To program the same remote for other garage door openers, repeat the steps above using one of the other remaining remote buttons.

### REPEAT STEPS 1 TO 3 FOR EACH OPENER AND REMOTE

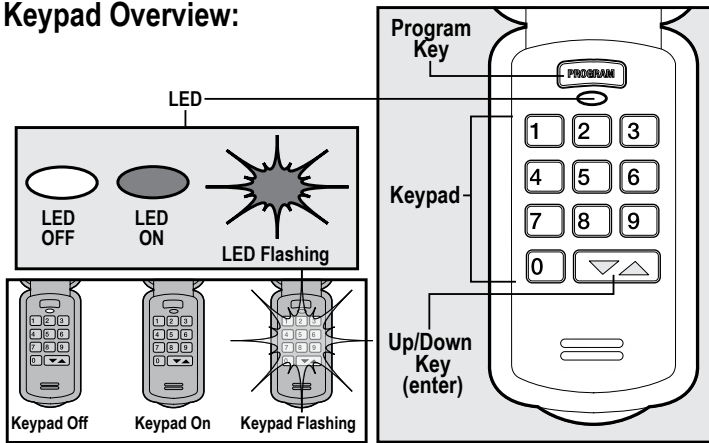
**NOTE:** It is possible to press the remote button too quickly or lightly. If the LEDs do not go off, press the remote button several more times to achieve confirmation.

**NOTE:** For Closed Confirm Remote with Network Adapter, follow the instructions provided with the Closed Confirm Remote.

**BASIC PROGRAMMING IS COMPLETE AND YOUR GARAGE DOOR OPENER IS READY TO USE.**

# -Programming the Wireless Keypad-

## Keypad Overview:



## Setting Your PIN:

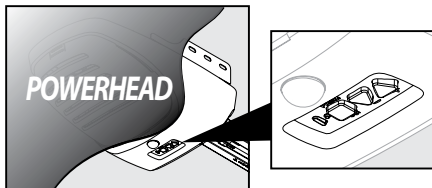
1. Press in order the numbers **3** - **5** - **7**
2. Press the **PROGRAM** key.
3. Type your new PIN (3-8 digits).
4. Press the **PROGRAM** key again.

You are now ready to program the keypad to an opener.

For use on a Single Door, continue on below.

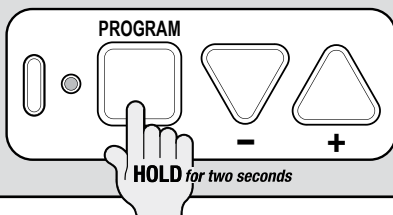
**NOTE:** If the keypad lights do not flash and go OFF after setting your PIN, clear the keypad (see "Resetting Your PIN") and repeat Steps 1-4.

## Locate your Opener's Programming Buttons and LED:



## Synchronizing Keypad to Door

1. Press **PROGRAM SET** button two seconds until the round LED turns blue, then release. The long purple LED will blink.



2. Key in your new PIN on the keypad.
3. Press Up/Down key and opener LEDs will stay on steady.
4. Press Up/Down key again and opener LEDs turn off.
5. Press Up/Down key a third time and opener run.

The process of programming **ONE** keypad to **ONE** opener is complete.

## Multiple Door Section:

1. Key in your new PIN on the keypad. (3-8 digits).
2. Press the **PROGRAM** key two times.
3. Enter how many total doors you want to control with this keypad (press 2 or 3 accordingly).
4. Press the **PROGRAM** key.  
The keypad is now programmed to receive multiple opener signals..
5. Locate your opener's programming buttons and LED.  
Press **PROGRAM SET** button two seconds until the round LED turns blue; then release. The long purple LED will flash.
6. Type your new PIN (3-8 digits).
7. Press the Up/Down key one time.
8. Press the door number you want this opener to operate (1, 2, or 3).
9. Press that door number a second time.
10. Press that same door number a third time and the door will operate.

Wait 30 seconds for the keypad to go dark and then start with **step 5** for the additional opener head/keypad combination as needed.

To add another opener to a keypad that is already programmed to an opener, follow all the steps in this "Multiple Door Section."

Please note at Step 8, that the keypad assumes the original opener programmed to the keypad is opener #1.

Keypads can accept up to three openers.

## Changing an Existing PIN:

1. Enter your current PIN.
2. Press the Program key one time.
3. Key in your new PIN (3-8 digits).
4. Press the Program key one time.

**NOTE:** Unlike "Resetting PIN," you DO NOT need to reprogram your opener after changing your PIN.

## Resetting Your PIN:

Press and hold both the PROGRAM key and the Up/Down key for about five seconds.

The LED will slowly blink and then go out. When the LED stops blinking, you have successfully erased the old programming.

To put in a new PIN, start with "Setting Your PIN" instructions above.

## Door Operation:

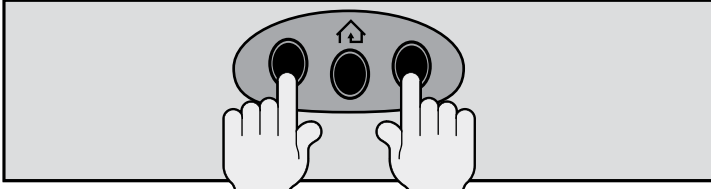
To open and close the door with the Keyless Entry Pad, enter the PIN number and press Up/Down Key (enter). The Keyless Entry Pad will stay active for 30 seconds and will stop or start the door with each touch of any button on the keypad.

**NOTE:** For multiple doors enter the PIN number, press the UP/Down Key once and enter the door number (1,2 or 3). As above the Keyless Entry Pad will stay active for 30 seconds.

# -Programming Vehicle Remotes-

## HomeLink® System

1. Clear your HomeLink® by pressing and holding down the first and third buttons until the indicator on the HomeLink® blinks slow and then fast for 20 seconds; then release both buttons.

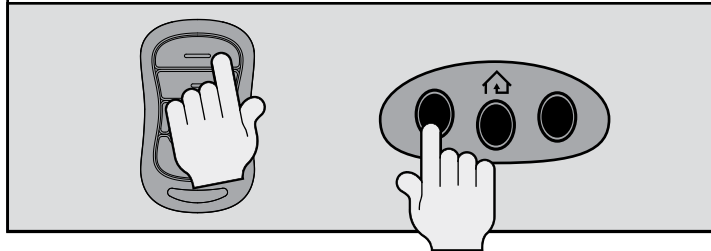


**NOTE:** Clearing your HomeLink® will remove all previously programmed garage door openers.

**NOTE:** Hold the Remote two inches from the HomeLink® button.

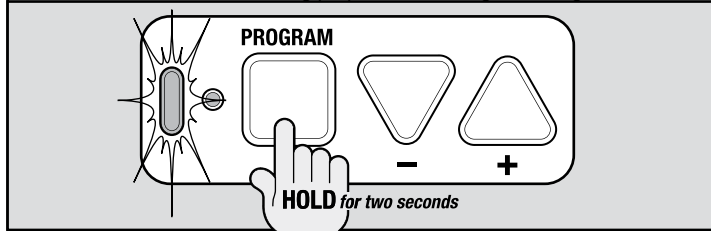
## Program HomeLink® to the Remote

1. Choose the button on your HomeLink® that you want to use to operate your garage door. Hold down the remote button. While holding the button, press and hold your chosen HomeLink® button until the indicator on the HomeLink® blinks slow then fast. Once it goes fast, release both buttons.



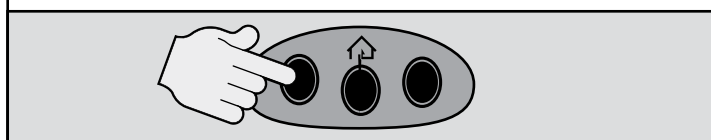
## Program HomeLink® to the Opener

2. Press and hold the PROGRAM button until the round blue LED is ON. Release the button. The long purple LED will begin flashing.



3. Press the chosen HomeLink® button for two seconds and release. Press that same button again for two seconds and release. The long LED will flash blue and then turn off.

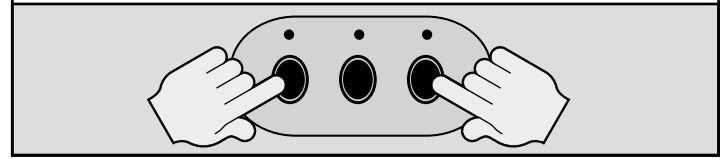
4. Press the HomeLink® button a few more times until door moves.



**NOTE:** For additional instructions, see your motor vehicle manual, visit the operator manufacturer's website or go to [www.homelink.com](http://www.homelink.com)

## Programming Car2U® System

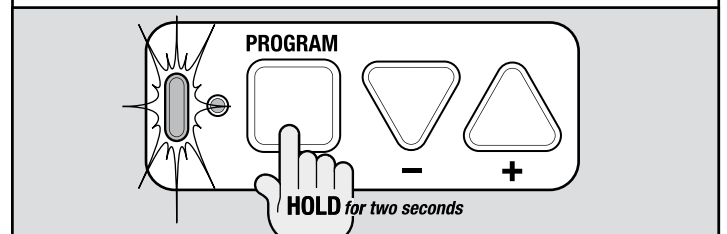
1. Clear the Car2U® default settings by pressing and holding both buttons 1 and 3 for 20 seconds or until all three LEDs begin to flash.
2. Release both buttons.



**NOTE:** Clearing your Car2U® remote will remove all previously programmed garage door openers.

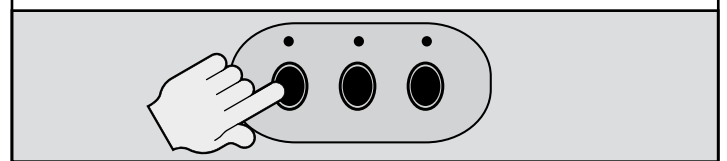
## Program Car2U® to the Opener

1. Press and hold the PROGRAM button on the opener until the round blue LED is ON—release the button. The long purple LED will begin flashing.



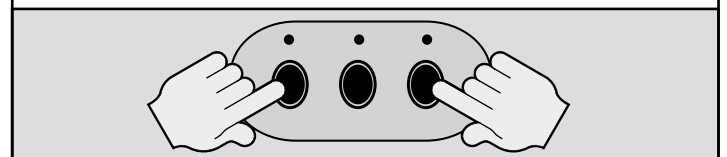
2. Press the Car2U® button for two seconds and release. Press that same button again for two seconds and release. The long LED will flash blue and then turn off.

3. Press the Car2U® button a few times more until door moves.



## Changing Factory Default Button for Opener

1. Press and hold buttons 1 & 3 for ONE SECOND and release—all three LEDs will light solid red.
2. Press and hold the button (2 or 3) you want to change to your opener—the corresponding LED will flash. While continuing to hold the button you want to change, press and release button 1. Press and release button 1 again.
3. Release the button you were holding in step 2 and wait for the LED to stop flashing. This button is now set for your opener. Repeat Step 2 for second Opener.



**NOTE:** For additional instructions see your motor vehicle manual, visit the operator manufacturer's website or go to [www.learcar2u.com](http://www.learcar2u.com)