

# Integrated Door Control Module (iDCM) Model Board Replacement

These instructions are written assuming that you will have ample room around Opener to perform this repair. Some rare instances will require removal of the unit from its mounting hardware and repair made on a bench or floor. Refer to your Owners Manual or Installation Poster for proper assembly and carefully read and understand all warnings and cautions pertaining to your unit.

## **⚠ WARNING**

BE SURE ELECTRICAL POWER HAS BEEN DISCONNECTED FROM THE OPENER PRIOR TO REMOVING THE MOTOR COVER.

## **⚠ WARNING**

ANY AND ALL REPAIRS MADE TO THIS UNIT MUST BE PERFORMED WITH THE DOOR DISCONNECTED FROM THE OPENER AND IN THE CLOSED POSITION.

1. Close Door. (If unable to lower door using opener, use extreme caution manually closing door. Before pulling emergency release cord, make certain people and objects are clear of door opening.) Pull emergency release cord on carriage to disengage opener.
2. Unplug opener power cord from power receptacle. or shut down breaker.
3. Remove Battery Backup (BBU) from powerhead, if equipped: FIG. 1.
  - Unplug harness from top of powerhead.
  - Remove two screws securing BBU to rear of powerhead.
  - Tilt BBU up and slide mounting brackets out.
  - Set BBU aside.
4. Remove lens covers by pressing top tabs down and slide lens cover(s) out. Remove light bulbs if equipped.

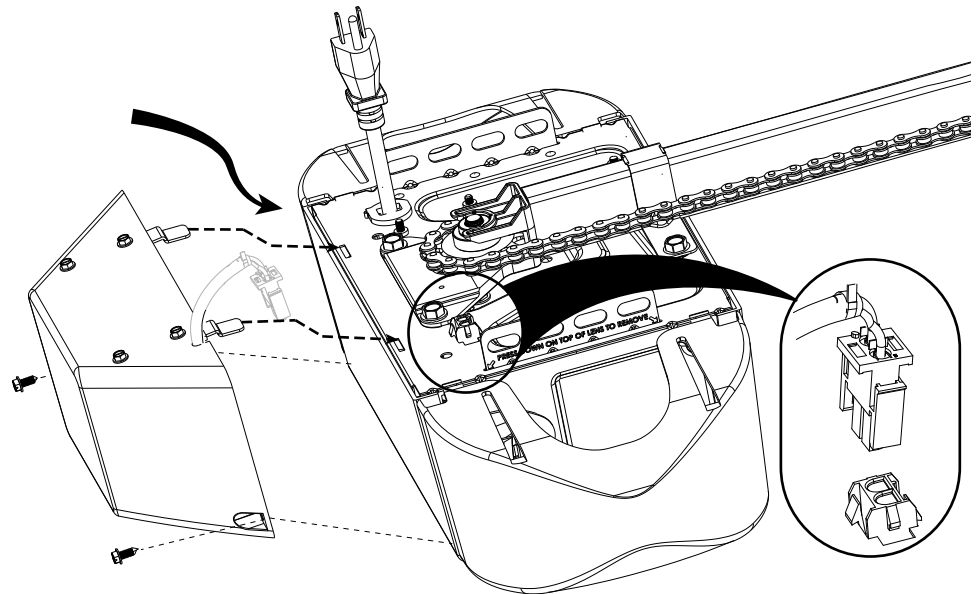
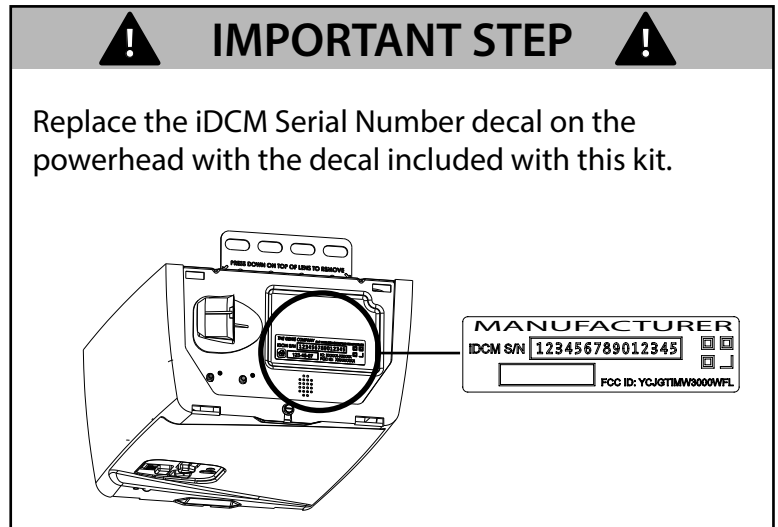


FIG.1

5. Loosen the two screws (2-A) to remove main housing cover.
6. Unplug harness (2-C) from MAIN circuit board at iDCM control board.
7. Remove two screws retaining board and remove board.
8. Install iDCM board. **Carefully** install iDCM mounting screw (2-B) into OPTO assembly. **DO NOT** overtighten.
9. Install harness (2-C) from MAIN control board to iDCM replacement board.
10. Install main housing cover and tighten screws.
11. Install light bulbs if equipped.
12. Reapply power to operator.
13. Reprogram mobile device app to control opener with the replacement iDCM board. See special instruction included with this kit.
14. Install lens covers
15. Test all operator functions per owners manual.
16. Install BBU assembly onto motor housing if equipped.
17. Ensure that the powerhead decal has been replaced as noted on the front page.
18. Program the APP to use the replacement board.

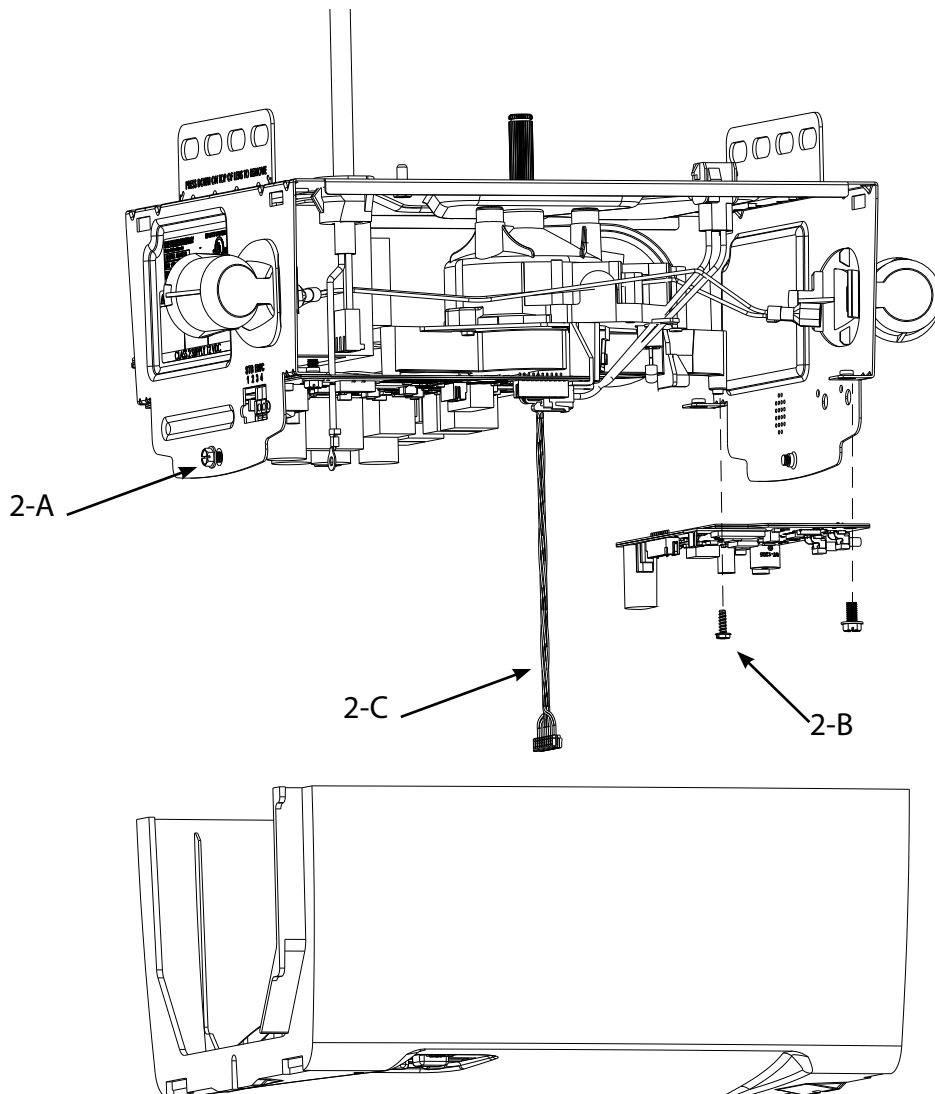


FIG. 2