

DC Control Board Replacement

These instructions are written assuming that you will have ample room around Opener to perform this repair. Some rare instances will require removal of the unit from its mounting hardware and repair made on a bench or floor. Refer to your Owners Manual for proper assembly and carefully read and understand all warnings and cautions pertaining to your unit.

⚠ WARNING

BE SURE ELECTRICAL POWER HAS BEEN DISCONNECTED FROM THE INPUT POWER LINES PRIOR TO REMOVING THE MOTOR COVER.

⚠ WARNING

ANY AND ALL REPAIRS MADE TO THIS UNIT MUST BE PERFORMED WITH THE DOOR DISCONNECTED FROM THE OPENER AND IN THE CLOSED POSITION.

1. Pull emergency release cord on carriage to disengage opener to close door if necessary. (If unable to lower door using opener, use extreme caution manually closing door. Before pulling emergency release cord, make certain people and objects are clear of door opening.)
2. Unplug opener power cord from power receptacle.
3. Open lens cover by pressing middle tab inward and remove light bulbs. FIG. 1.
4. Remove wall control and Safe-T-Beam wires from terminal block located on side of opener FIG. 1. Use small common screwdriver to press in on orange tabs while gently pulling wires from block. Mark wires to help facilitate replacement.
5. Unplug any optional accessories such as the battery backup and/or networking adapter.
6. Remove two 5/16" screws securing powerhead cover to chassis. FIG. 2.
7. Allow the motor cover to swing down to access control board and wire harnesses.

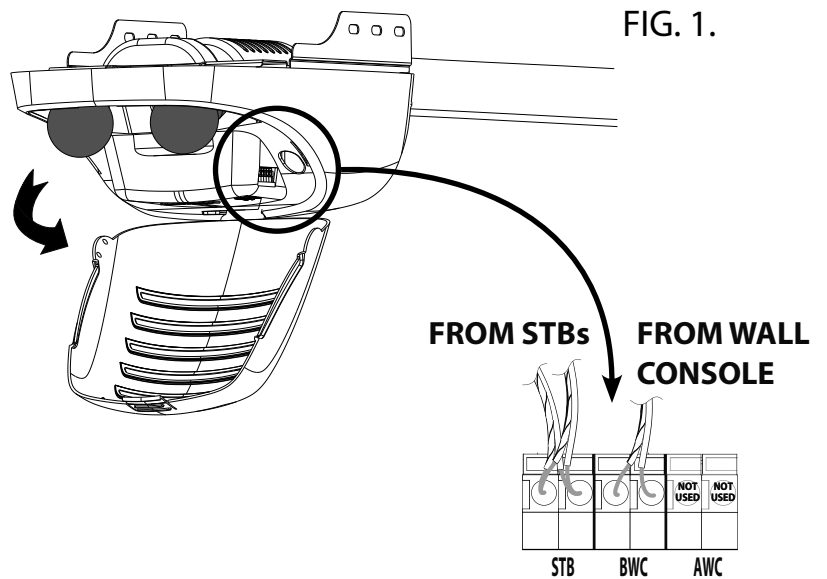


FIG. 2.

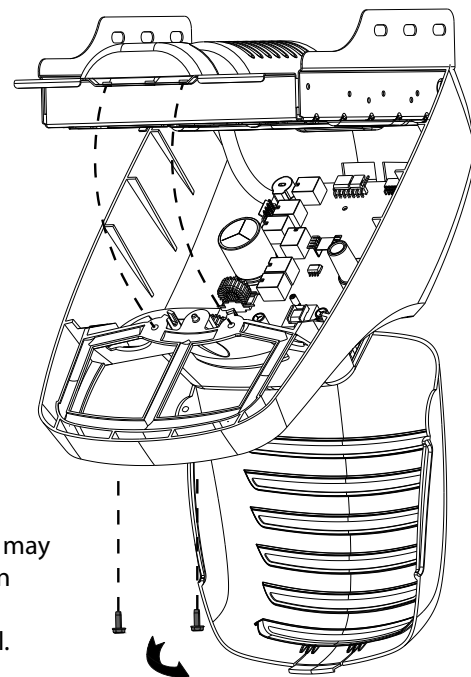
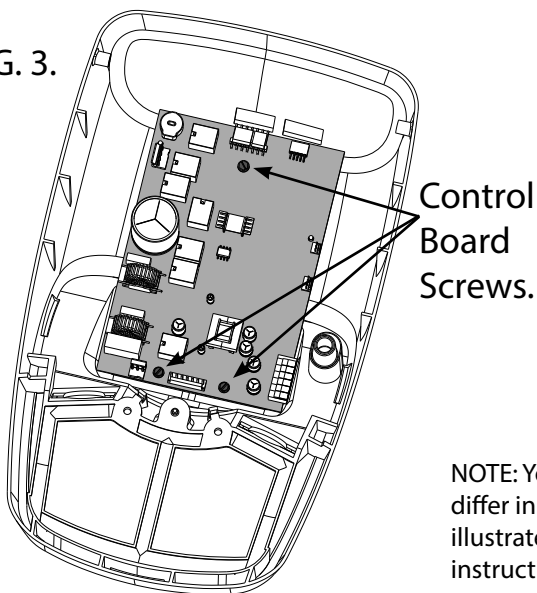


FIG. 3.



NOTE: Your Motor Cover may differ in appearance than illustrated. Replacement instructions are identical.

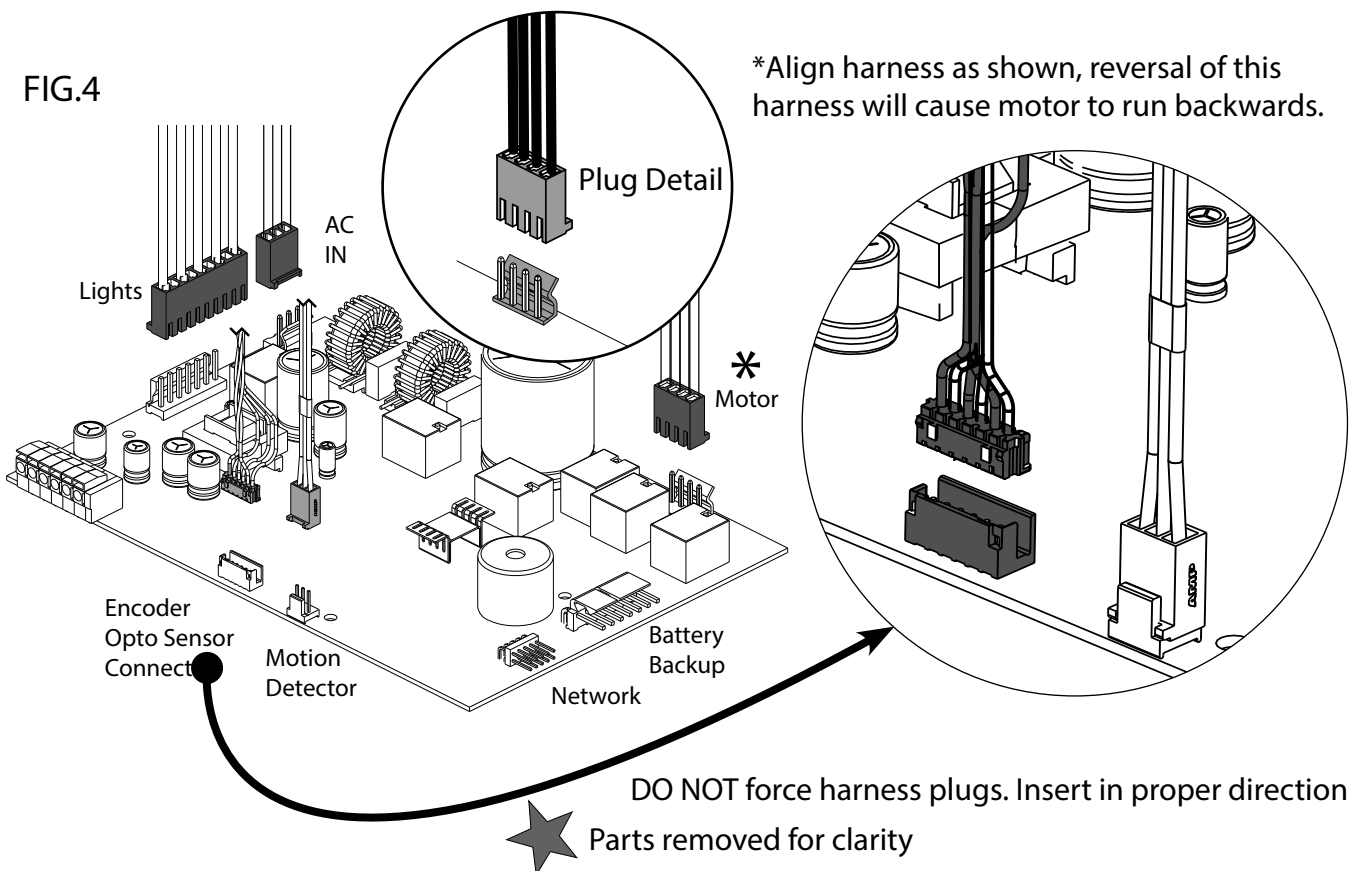
8. Unplug the following harnesses from control board. FIG. 4.
 - Light harness
 - Motor harness
 - Opto harness (see step 12-13)
 - AC IN harness
 - Motion Detector harness (if equipped)
 - Green ground wire to chassis (if equipped). **REMOVE AND DISCARD.**
9. Powerhead cover can now be removed from opener chassis for repair. Special care should be taken to prevent damage to motion detector bulb located on bottom of motor cover. (If equipped).
10. Remove control board mounting screws and control board. FIG 3.
11. Feed antenna wire through hole in cover. Mount replacement control board to cover and secure with screws removed in step 10.

--- SEE NEXT PAGE FOR MOTOR TYPES ---

12. **If your motor compares to MOTOR TYPE 1. Remove existing harness from motor and plug pre installed OPTO SENSOR harness from new control board directly into motor.**
13. **If your motor compares to MOTOR TYPE 2. Remove pre installed OPTO SENSOR harness from control board and plug existing OPTO harness from motor into DUAL ENCODER OPTO SENSOR plug on replacement control board. (Or use new harness packed with control board).**

Note: Be certain to install all harnesses in the correct position being sure to install with locking tabs facing each other. FIG 4. Carefully align pins with plug, **DO NOT** bend pins.

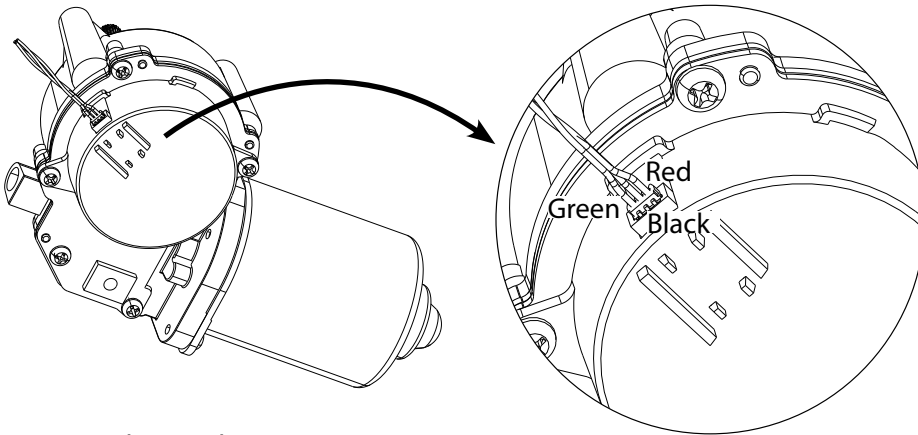
14. Hang powerhead cover to chassis to connect all other harnesses removed in step 8.
15. Swing powerhead cover up onto chassis and secure using screws removed in step 6.
16. Install wall control and Safe-T-Beam wires. Install battery backup and/or network harnesses if applicable.
17. Install light bulbs and close lens cover.
18. Reapply power to opener.
19. Limit controls, transmitters and full function test will be required. Refer to owners manual and/or assembly poster for detailed information.



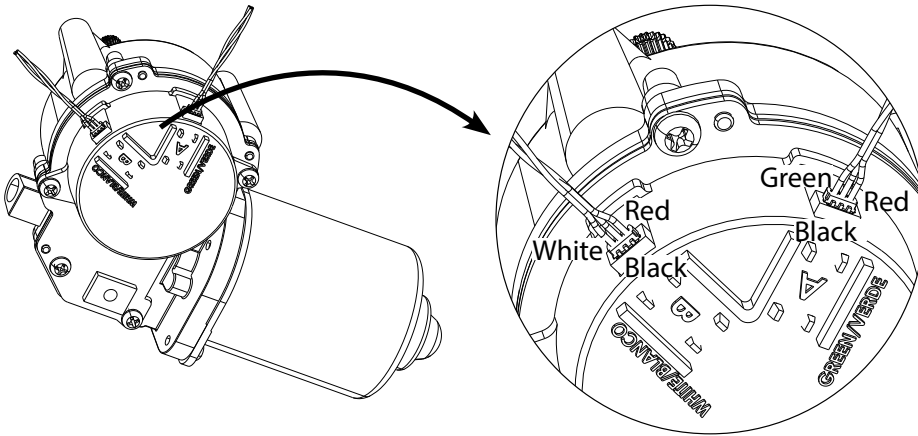
Motor Types

Harness Detail

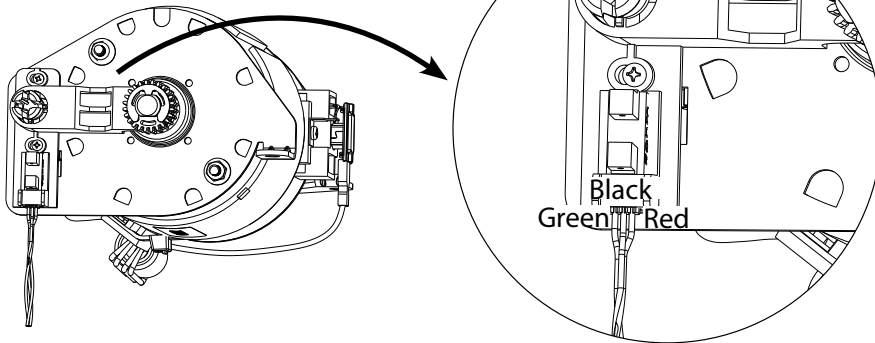
DC Chain/Belt Drive TYPE 1



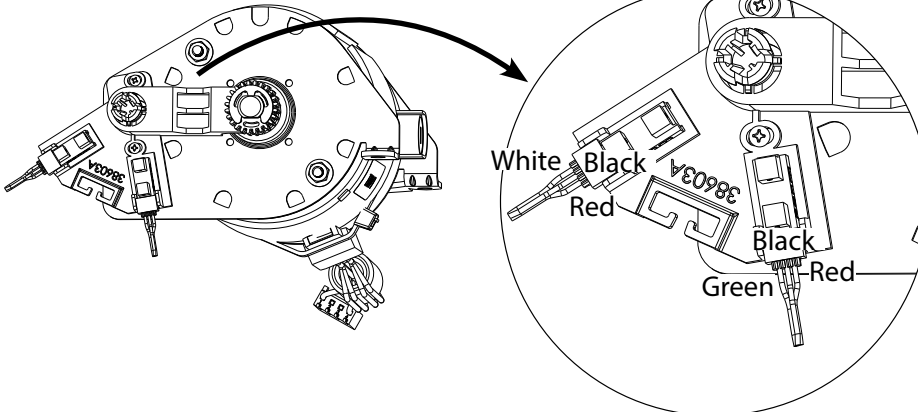
DC Chain/Belt Drive TYPE 2



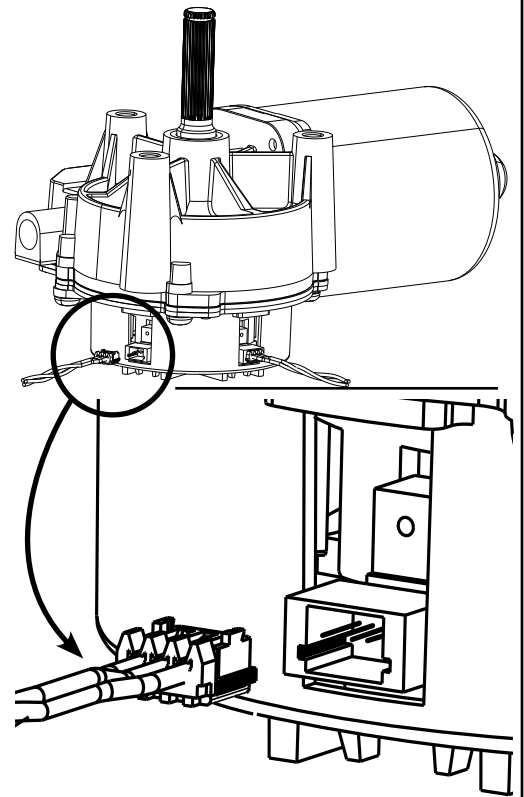
DC Screwdrive TYPE 1



DC Screwdrive TYPE 2



OPTO Harness Plug Detail



DO NOT force harness plugs. Insert in proper direction

★ Parts removed for clarity