

# Drive Sprocket Replacement

This repair will require removal of the unit from its mounting hardware and repairs made on a bench or floor. Refer to the Owners Manual and/or Installation Poster for proper assembly and carefully read and understand all warnings and cautions pertaining to the unit.

## **!** WARNING

BE SURE ELECTRICAL POWER HAS BEEN DISCONNECTED FROM THE INPUT POWER LINES PRIOR TO REMOVING THE MOTOR COVER.

## **!** WARNING

ANY AND ALL REPAIRS MADE TO THIS UNIT MUST BE PERFORMED WITH THE DOOR DISCONNECTED FROM THE OPENER AND IN THE CLOSED POSITION.

1. Pull emergency release cord on carriage to disengage opener to close door if necessary. (If unable to lower door using opener, use extreme caution manually closing door. Before pulling emergency release cord, make certain people and objects are clear of door opening.)
2. Unplug opener power cord from power receptacle.
3. Open lens cover by pressing outer tabs on both sides of motor and swing down to remove light bulbs. FIG. 1.
4. Remove wall control and Safe-T-Beam wires from terminal block located on rear of opener FIG. 1A. Use small common screwdriver to press in on orange tabs while gently pulling wires from block. Mark wires to help facilitate replacement.
5. Remove the cotter pin & clevis from door arm to separate door from opener. FIG. 2.
6. Remove motor head and rail assembly from mounting brackets/hardware and set on a clean work surface or floor.
7. Remove the 3-5/16" bolts from rail to motor mount to remove rail. FIG. 3.

FIG. 1.

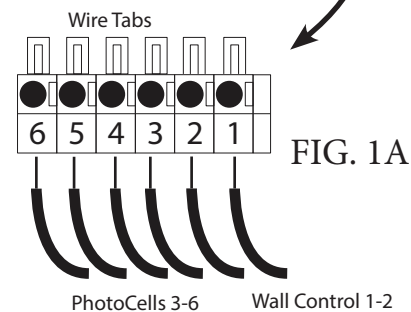
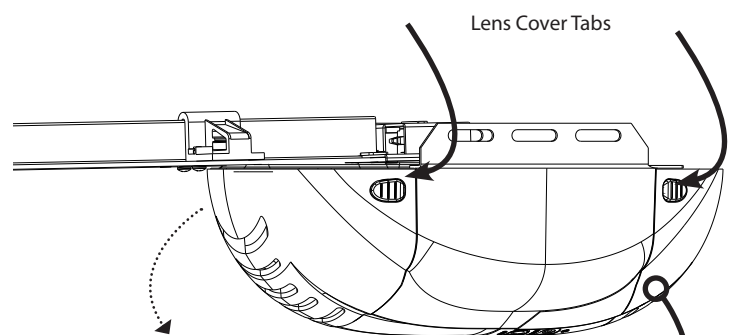


FIG. 1A.

FIG. 2.

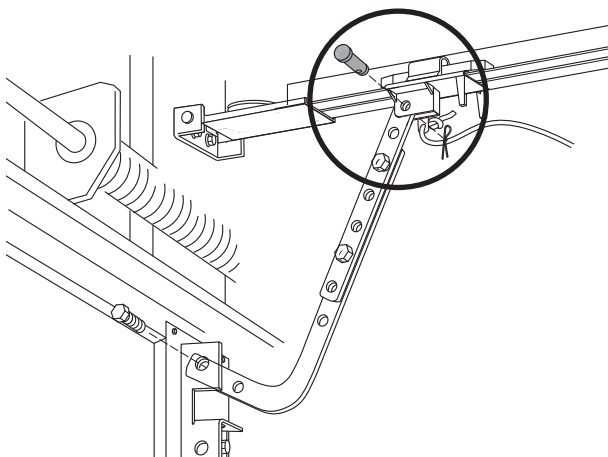
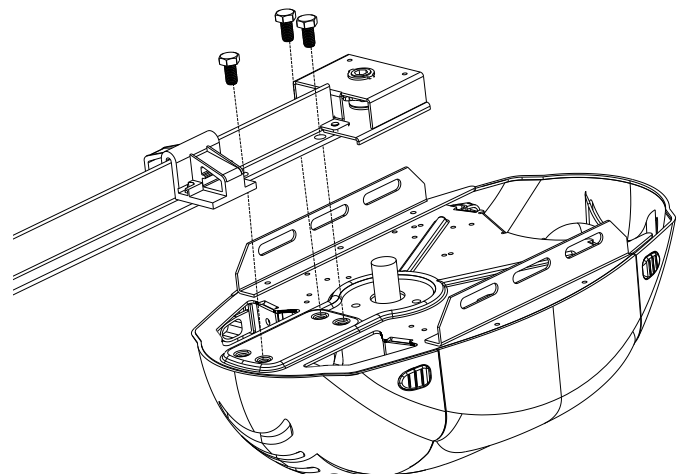


FIG. 3.



8. Loosen 1/2" tension nut at header end of rail to create slack in the chain/belt. FIG. 4.
  9. Place scrap block of wood under the sprocket assembly and drill out the rivets holding the sprocket bracket to the rail with a #7 (.201) drill bit.
  10. Remove screws from upper and lower brackets to separate the sprocket bracket assembly and remove old sprocket.
  11. Install replacement sprocket, with bushing to lower bracket.
  12. Wrap chain/belt around sprocket.
  13. Install sprocket guard and reinstall lower bracket screws.
  14. Align bushing into upper bracket and assemble over sprocket.
  15. Reinstall screws into sprocket guard through upper bracket.
  16. Use the supplied nuts and bolts to fasten bracket assembly to the rail.
  17. Tension the chain/belt with the 1/2" tension nut. FIG. 4.
- NOTE:** Refer to manual for proper tension. (1/8" gap between chain/belt and rail)
18. Assemble rail to motor head. FIG. 3.
  19. Install operator to mounting hardware. Refer to owners manual for reassembly if necessary.
  20. Reinstall wall control and photocell wires. FIG. 1.
  21. Reinstall Light Bulbs and close lens cover(s) and rear cover. FIG. 1.
  22. Reattach door arm to carriage with clevis and hairpin. FIG. 2.
  23. Move door up or down to reengage carriage into chain/belt.
  24. Refer to owners manual to reset up and down limits.
  25. Perform complete safety check per owners manual.

FIG. 4

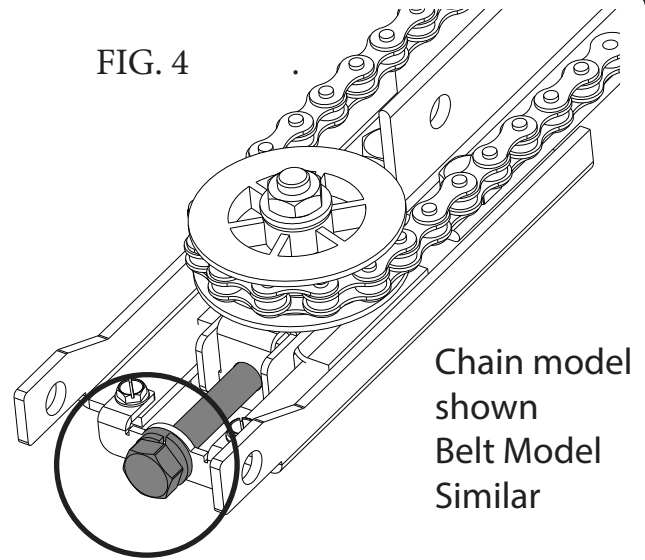


FIG. 5.

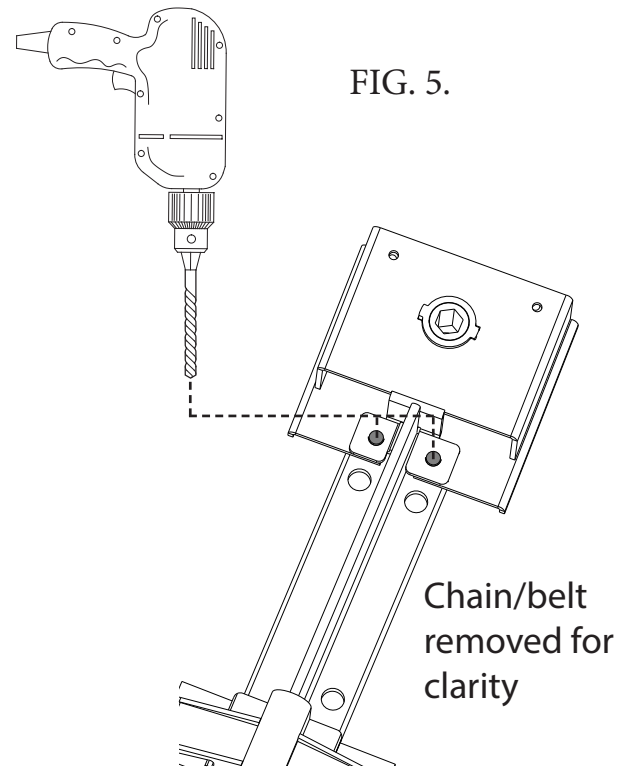


FIG. 6.

