

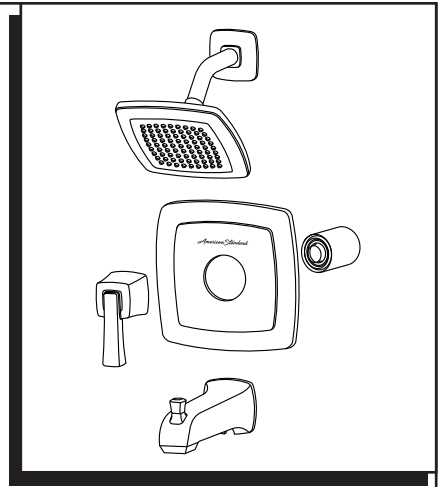
INSTALLATION INSTRUCTIONS

TOWNSEND® BATH AND SHOWER TRIM KIT

Thank you for selecting American Standard...
the benchmark of fine quality for over 100 years.

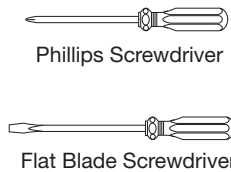
To ensure that your installation proceeds smoothly-please
read these instructions carefully before you begin.

T353.500
T353.501
T353.502
T353.507
T353.508



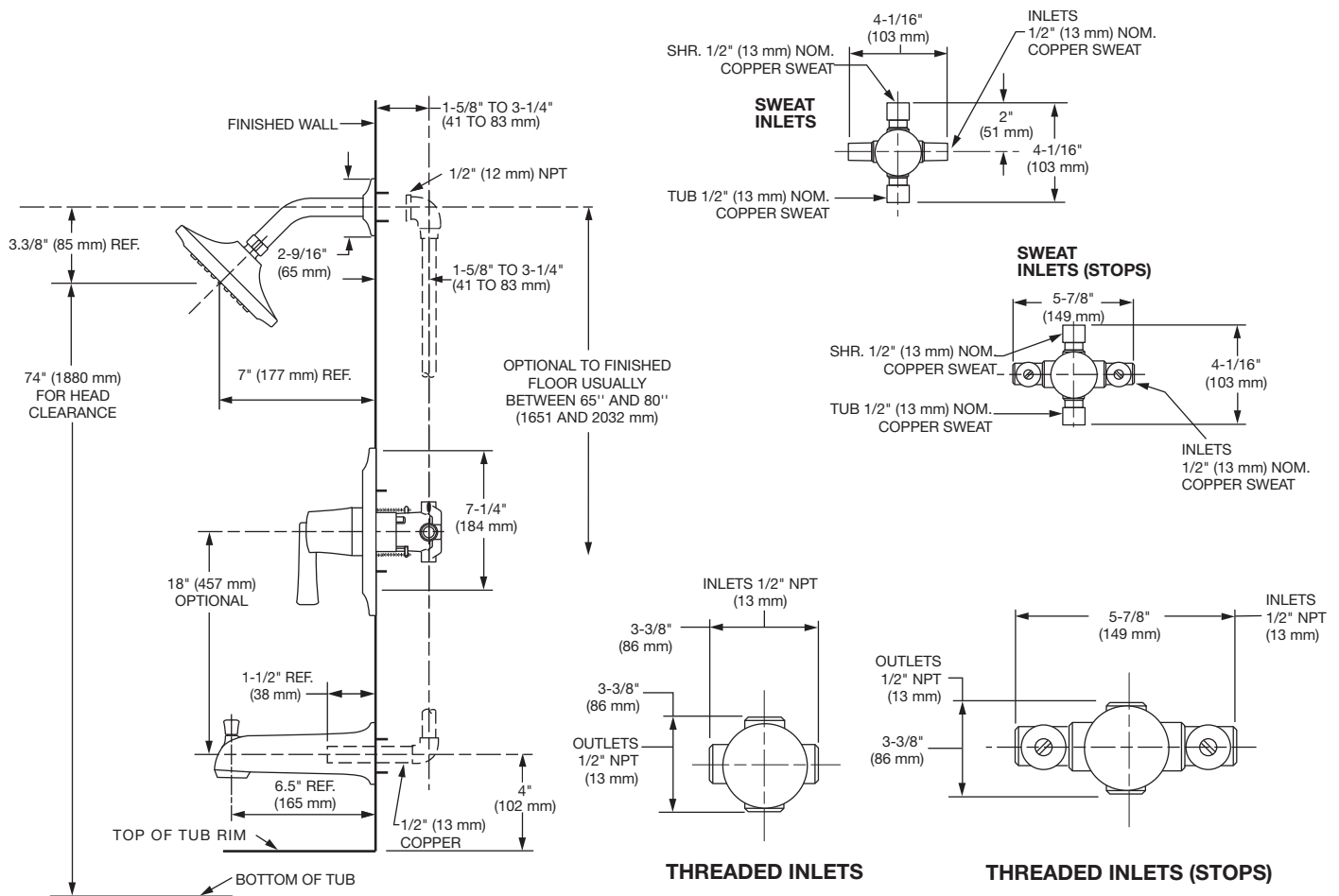
Certified to comply with ANSI A112.18.1M

RECOMMENDED TOOLS



ROUGHING-IN DIMENSIONS

- To assure proper positioning in relation to wall.
Note roughing-in dimensions.



1 INSTALL VALVE TRIM

- **Figure 1.** Remove plaster guard from valve. Push CAP (1) over VALVE CARTRIDGE (2) until seated against stop.
- **Figure 2.** Push ESCUTCHEON HOLDER (3) onto CAP (1) and attach to valve body with LONG SCREWS (4). Mount ESCUTCHEON SUPPORT (5) to ESCUTCHEON HOLDER (3) with 4 SHORT SCREWS (6).
- **Figure 3.** Install ESCUTCHEON (7) onto CAP (1) and push flush against finished wall. Escutcheon (7) will snap fit onto ESCUTCHEON SUPPORT (5).

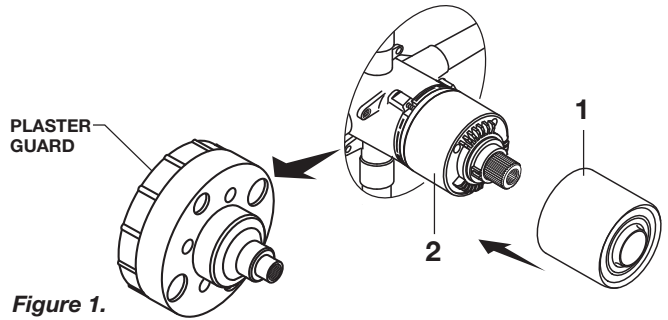


Figure 1.

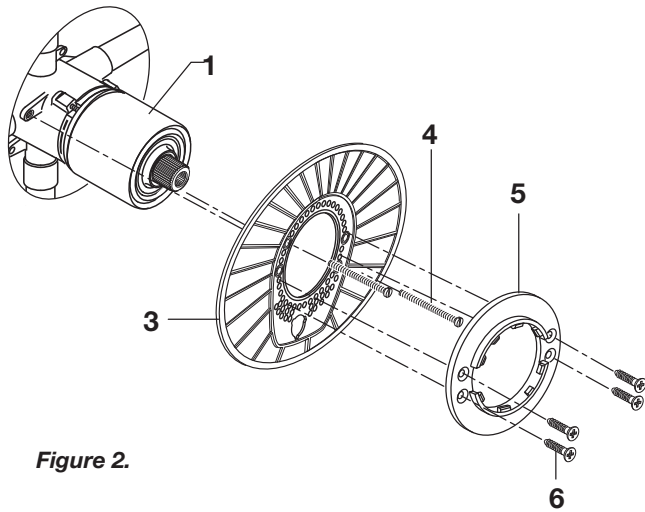


Figure 2.

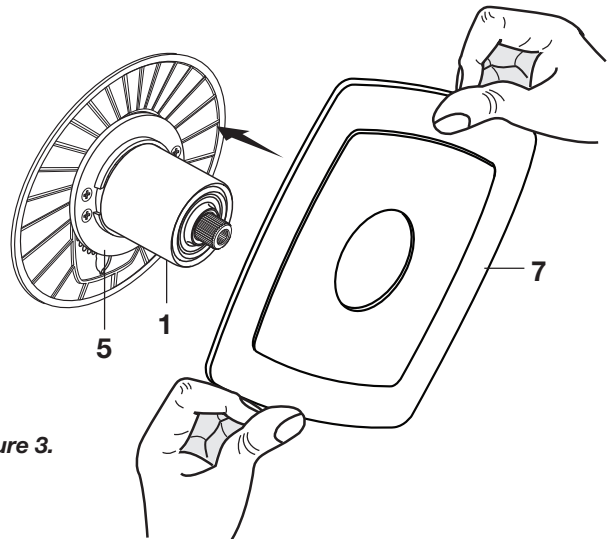


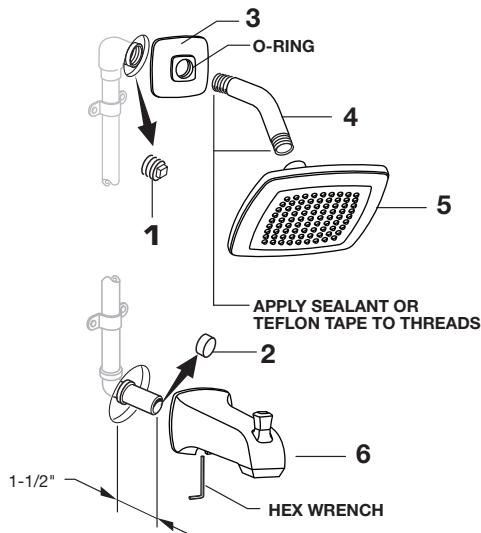
Figure 3.

2 INSTALL TRIM

CAUTION Protect finish on SHOWER HEAD and TUB SPOUT when installing.

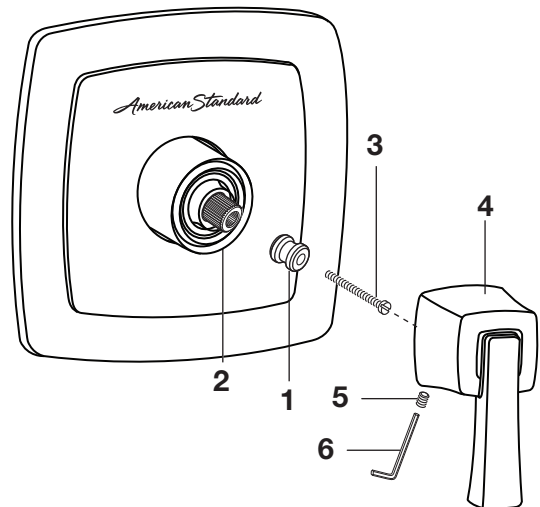
Note: Apply sealant or Teflon Tape to shower arm.

- Remove PIPE PLUG and CAP (1, 2) from shower pipe and tub filler pipe.
- Install SHOWER ESCUTCHEON (3) onto SHOWER ARM (4). Apply sealant or Teflon tape to threads on both ends of SHOWER ARM (4) and thread longer leg of SHOWER ARM (4) into shower elbow.
- Thread SHOWER HEAD (5) onto SHOWER ARM (4). Install TUB SPOUT (6). Tighten with HEX WRENCH supplied. **Important: Do not over tighten Set Screw.**



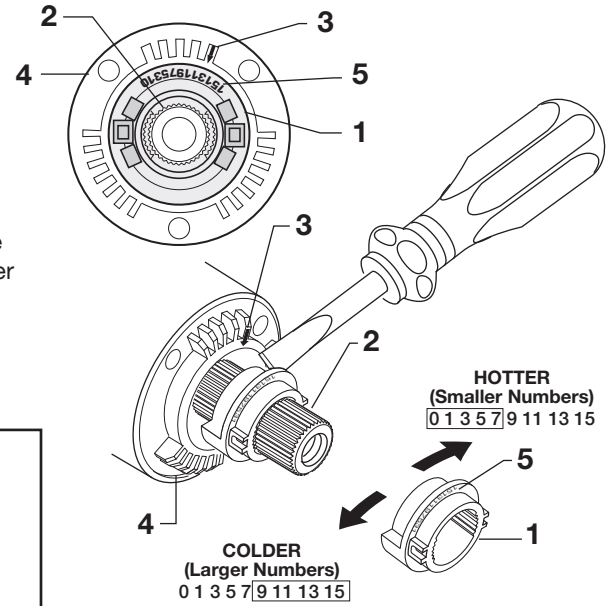
3 INSTALL HANDLE

- Hold ADAPTER (1) onto VALVE STEM (2) and install ADAPTER SCREW (3) through ADAPTER (1) into VALVE STEM (2). Tighten ADAPTER SCREW (3) to secure ADAPTER (1) to VALVE STEM (2).
- Install HANDLE BASE (4) onto ADAPTER (1). Insert SET SCREW (5) into HANDLE BASE (4). Align HANDLE BASE (4) and tighten with HEX WRENCH (6) supplied.



4 ADJUST HOT LIMIT STOP

- By restricting HANDLE rotation and limiting the amount of hot water allowed to mix with the cold, the HOT LIMIT SAFETY STOP (1) reduces risk of accidental scalding. To set the maximum hot water temperature of your faucet, all you need to do is adjust the setting on the HOT LIMIT SAFETY STOP (1).
- Turn CARTRIDGE STEM (2) to the OFF position (coldest setting) before making adjustment to HOT LIMIT STOP (1). Use a flat blade screwdriver to pry free the HOT LIMIT SAFETY STOP (1). Pull forward and rotate counterclockwise one number to limit hot water temperature. Use ARROW (3) on CARTRIDGE (4) and NUMBERS (5) on HOT LIMIT STOP (1) for indication.



5 TO GAIN ACCESS TO VALVE FOR SERVICING

- Remove HANDLE (see step 3 and reverse).
- Remove ESCUTCHEON and CARTRIDGE CAP (see step 1 and reverse). Shut off water supply by either closing off main water supply, or closing off the hot and cold CHECK STOPS on valve.

VALVE LEAKS WHEN SHUT OFF

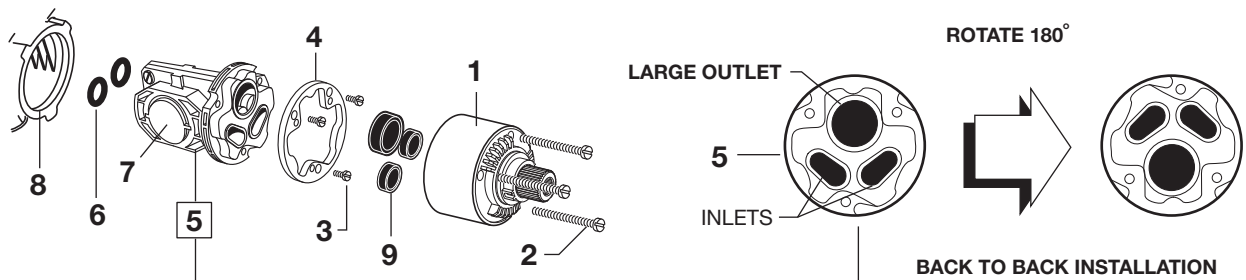
- Remove CARTRIDGE (1) by removing CARTRIDGE SCREWS (2). Remove three SCREWS (3) from FIXATION RING (4) and pull out PRESSURE BALANCING (5) unit.
- Clean SEALS (9) on base of CARTRIDGE (1). Check base of PRESSURE BALANCING UNIT (5) and clean O-RINGS (6). Remove CAPS (7) and check O-RINGS on inside of CAPS (7). Clean inside sealing surfaces of VALVE BODY (8).
- Re-assemble PRESSURE BALANCING UNIT (5) and CARTRIDGE (1). Tighten all screws. Turn on water supply and see above for installing TRIM and HANDLE.

UNABLE TO MAINTAIN CONSTANT TEMPERATURE

- Remove PRESSURE BALANCE UNIT (5).
- Remove CAPS (7) and clean valve thoroughly.
- Examine balancing unit and check condition of O-ring on end of piston. Piston should move back and forth. Order Repair Part M952100-0070A if balancing unit is defective.
- Replace CAPS (7) and install PRESSURE BALANCE UNIT (5). Make sure inlets line up with two holes in bottom of casting. Top flange should butt-up against top of casting.

BACK TO BACK INSTALLATION

- Remove PRESSURE BALANCE UNIT (5). Rotate PRESSURE BALANCE UNIT (5) 180° so that the inlets face up and the large outlet port faces down.
- Push PRESSURE BALANCE UNIT (5) in casting make sure inlets line up with holes in bottom of casting. Top flange should butt up against top of casting.
- Reassemble FIXATION RING (4) and CARTRIDGE (1).



6 CARE INSTRUCTIONS:

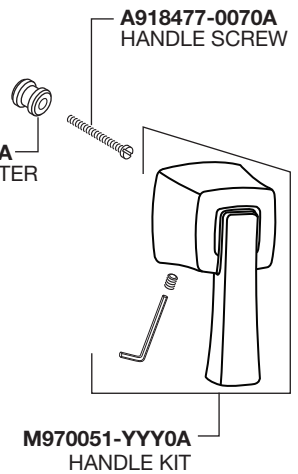
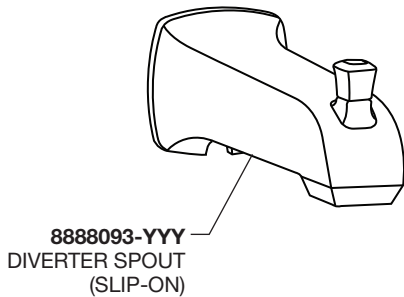
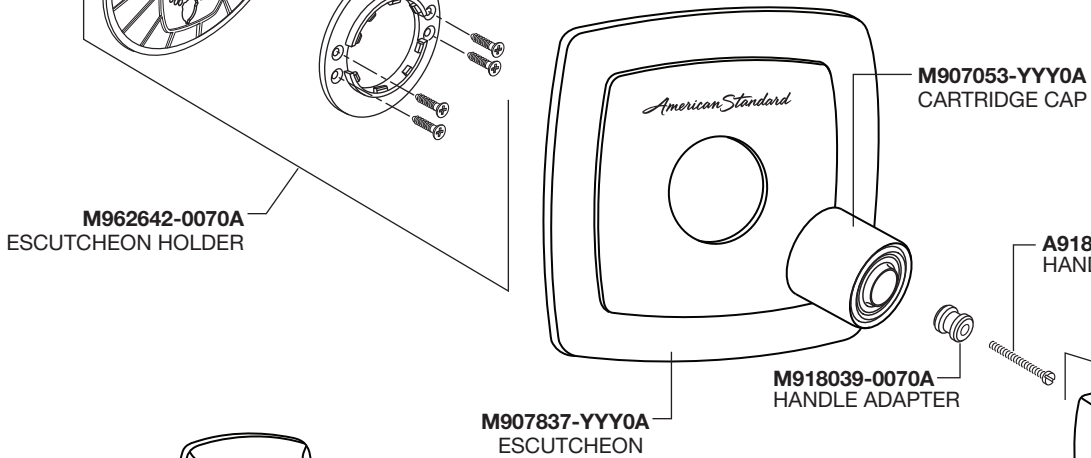
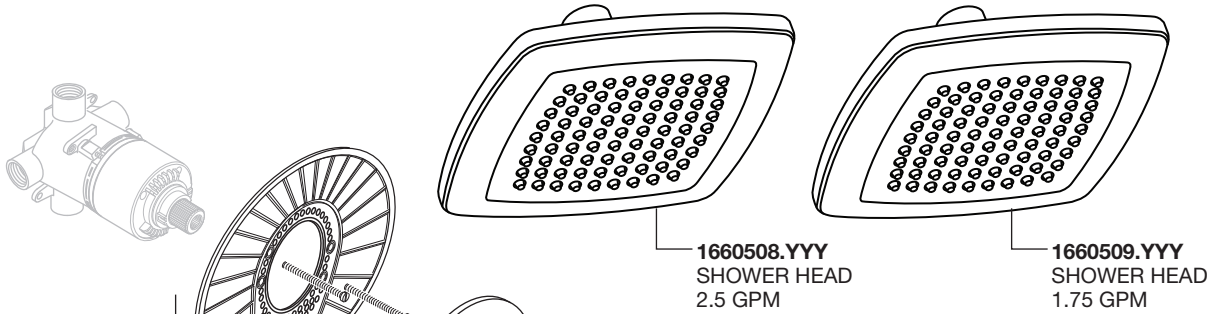
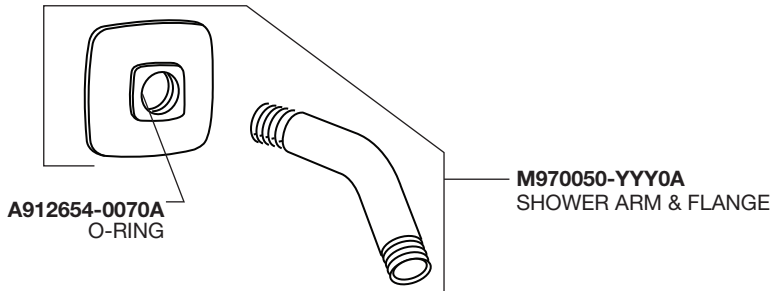
- DO: SIMPLY RINSE THE PRODUCT CLEAN WITH CLEAR WATER. DRY WITH A SOFT COTTON FLANNEL CLOTH.**
- DO NOT: DO NOT CLEAN THE PRODUCT WITH SOAPS, ACID, POLISH, ABRASIVES, HARSH CLEANERS, OR A CLOTH WITH A COARSE SURFACE.**

American Standard

TOWNSEND® BATH AND SHOWER TRIM KIT

MODEL NUMBERS

T353.500
T353.501
T353.502
T353.507
T353.508



Replace the "YYY" with appropriate finish code

POLISHED CHROME	002
SATIN NICKEL	295
LEGACY BRONZE	278
POLISH NICKEL	013

HOT LINE FOR HELP

For toll-free information and answers to your questions, call:
1 (800) 442-1902

Mon. - Fri. 8:00 a.m. to 8:00 p.m. EST

Saturday 10:00 a.m. to 4:00 p.m. EST

IN CANADA 1-800-387-0369

(TORONTO 1-905-306-1093)

Weekdays 8:00 a.m. to 7:00 p.m. EST

IN MEXICO 01-800-839-1200



PART OF LIXIL