

ELKAY®

Heavy Duty 14 Gauge Drinking Fountain Freeze Resistant, Wall Mount, Fully Exposed Slimline® Barrier-Free Access Model EHWM14FPK

SPECIFICATIONS

RATED FOR INDOOR AND OUTDOOR USE

PRODUCT SPECIFICATION

Wall mounted freeze-resistant drinking fountain is constructed of #14 gauge, type 304, stainless steel polished to a satin finish.

Contoured basin minimizes splashing and has vandal-resistant bubbler. Easy to operate, fully functional push button is vandal-resistant. Bottom cover plate is included. Flow regulator provides constant stream from 20 to 105 psi (138 to 724kPa) water pressure.

Includes freeze-resistant box LKFRB1 to be mounted on an interior heated wall where the temperature does not drop below 50°F (10°C).

THIS DRINKING FOUNTAIN COMPLIES WITH THE REQUIREMENTS OF A.D.A. (AMERICANS WITH DISABILITIES ACT) WHEN PROPERLY INSTALLED.

NO LEAD DESIGN

THIS DRINKING FOUNTAIN COMPLIES WITH THE LEAD FREE DEFINITION IN THE SAFE DRINKING WATER ACT OF 1986 AND LEAD CONTAMINATION CONTROL ACT OF 1988.

Elkay Drinking Fountains are manufactured with a waterway system utilizing copper components and completely lead-free material. These waterways have no lead because all leaded materials, such as leaded brass, have been removed.

This drinking fountain is certified to **NSF/ANSI 61** and **372**.

CONSTRUCTION

EHWM14FPK furnished complete with vandal-resistant bubbler and easy to operate, vandal-resistant front push button. Valve and in-line flow regulator provides stream from 20-105 psi (138 to 724kPa). Stainless steel wall plate with surface mounting plate and vandal-resistant #14 gauge bottom cover plate are included.

LKFRB1 includes box with separate front louvered panel. Valve and in-line flow regulator provide stream from 20 to 105 psi (138 to 724kPa) water pressure. Operated by adjustable cable system. Trap and drain tube included for the proper installation.



Model
EHWM14FPK

INSTALLER NOTE

THIS DRINKING FOUNTAIN IS FURNISHED WITH A BUBBLER AND VALVE INCLUDING ALL CONNECTING FITTINGS WHICH ARE MANUFACTURED OF COMPLETELY LEAD FREE MATERIAL. IT IS RECOMMENDED THAT SHUT OFF VALVE AND SUPPLY TUBING SUPPLIED BY OTHERS BE NON-METALLIC.

In Keeping with our policy of continuing product improvement, Elkay reserves the right to change specification without notice. Please visit elkay.com

This specification describes an Elkay product with design, quality and functional benefits to the user. When making a comparison of other producer's offerings, be certain these features are not overlooked.

2222 Camden Court
Oak Brook, IL 60523
630-572-3192
elkay.com

@ 2015 Elkay
SPEC00084 (Rev 05/2015)

Heavy Duty 14 Gauge Drinking Fountain
Freeze Resistant, Wall Mount, Fully Exposed
Slimline® Barrier-Free Access
Model EHWM14FPK

ELKAY®

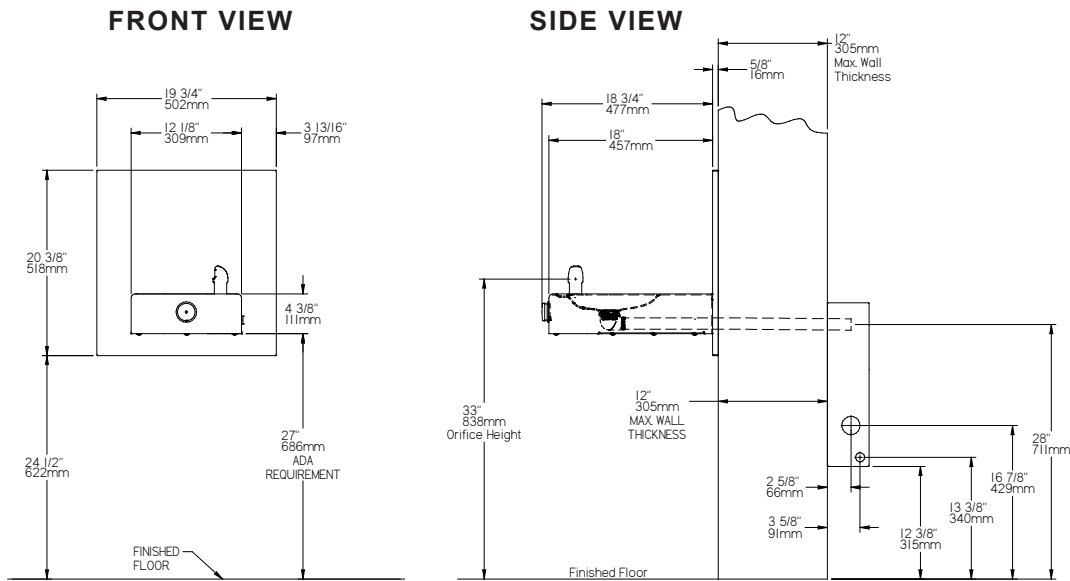
ROUGH-IN DIMENSIONS

RATED FOR INDOOR AND OUTDOOR USE

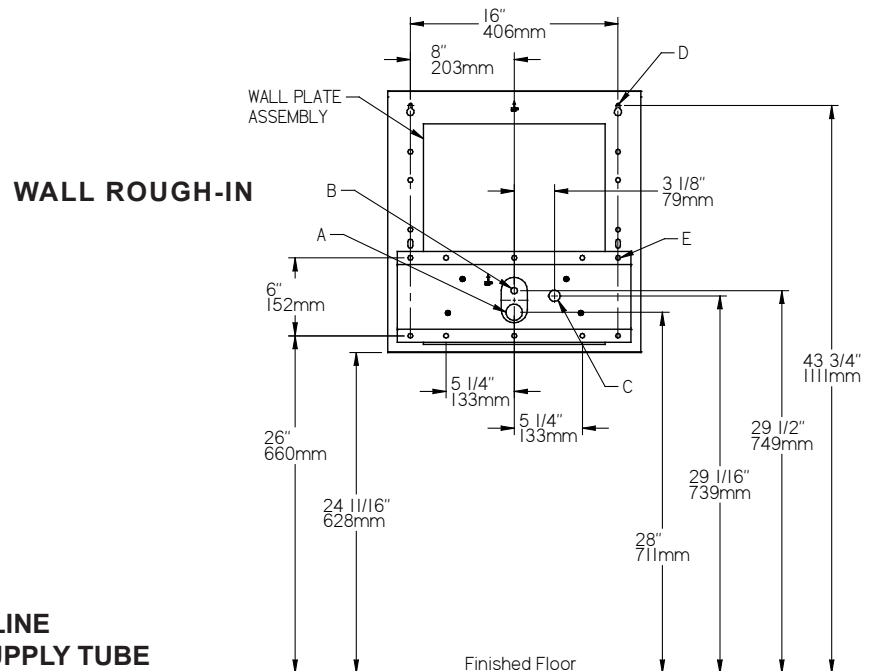
INSTALLER NOTE

THIS DRINKING FOUNTAIN IS FURNISHED WITH A BUBBLER AND VALVE INCLUDING ALL CONNECTING FITTINGS WHICH ARE MANUFACTURED OF COMPLETELY LEAD FREE MATERIAL. SHUT OFF VALVE (NOT FURNISHED) TO ACCEPT 3/8" O.D. UNPLATED COPPER TUBE.

WARNING: The freeze-resistant boxes must be installed on an interior heated wall where the temperature does not drop below 50°F (10°C). The front of the box must have unobstructed air flow. Failure to maintain the interior wall temperature and the inside of the freeze-resistant box above 50°F (10°C) can result in damage to the box which could result in unrestricted water flow.



REDUCE HEIGHT BY 3 INCHES FOR INSTALLATION OF CHILDRENS ADA COOLER



Job Name: _____
 Date: _____ Qty. _____
 Contact Info (Name, Phone, Email): _____

 Approval: _____

LEGEND

- A = 1-3/4" DIA. (44mm) HOLE FOR WASTE LINE**
- B = 7/8" DIA. (22mm) HOLE FOR WATER SUPPLY TUBE**
- C = 7/8" DIA. (22mm) HOLE FOR OPERATING CABLE**
- D = 1/4" DIA. (6mm) HOLES FOR MOUNTING PLATE TO WALL**
- E = 3/8" DIA. (10mm) HOLES FOR MOUNTING PLATE TO WALL**