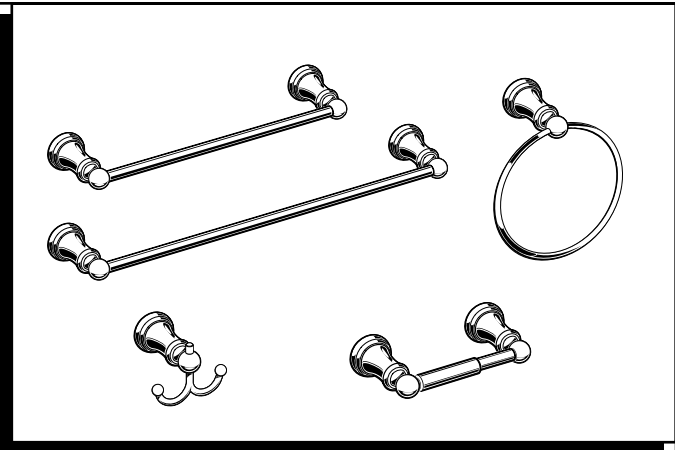


TR SERIES
Traditional Round Accessories

- 18" TOWEL BAR** **8334.018**
- 24" TOWEL BAR** **8334.024**
- TOWEL RING** **8334.190**
- DOUBLE ROBE HOOK** **8334.210**
- TOILET PAPER HOLDER** **8334.230**

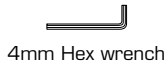
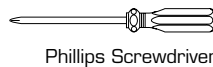
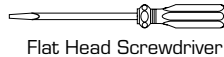
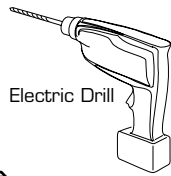
Thank you for selecting American-Standard...the benchmark of fine quality for over 100 years.

To ensure that your installation proceeds smoothly--please read instructions carefully before you begin.



M965369 REV. 1.2 (12/14)

Recommended Tools



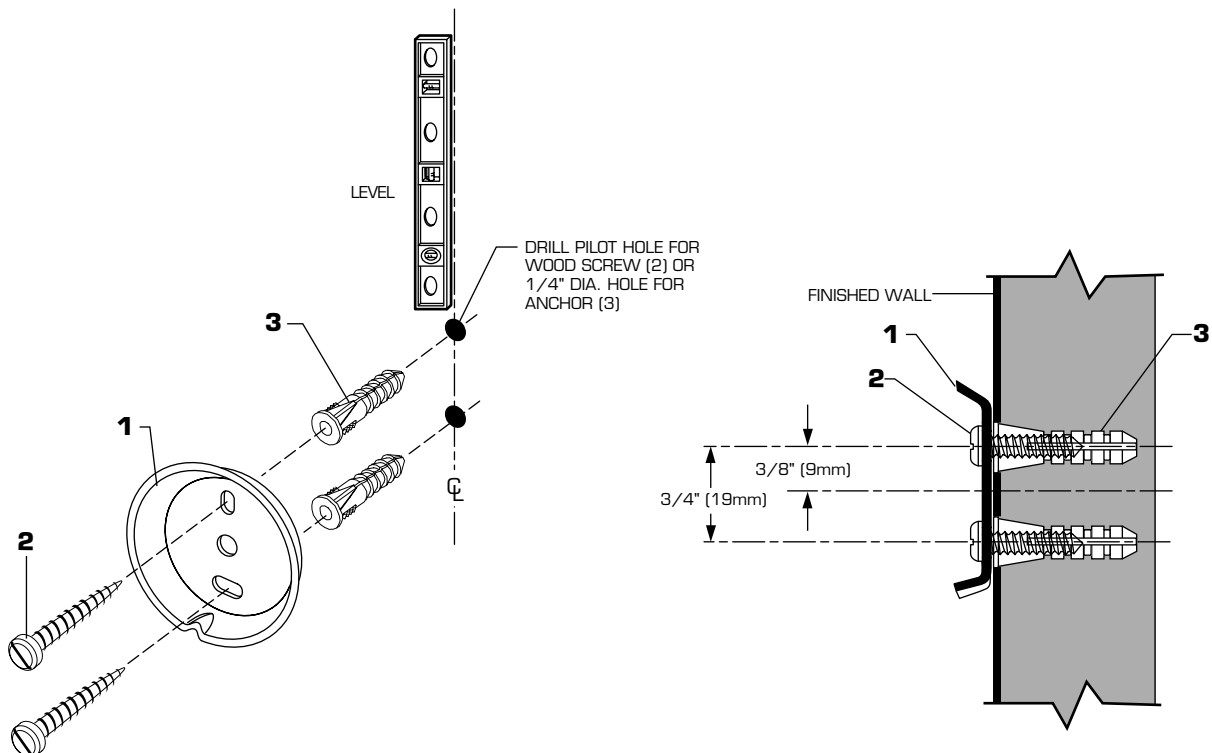
CARE INSTRUCTIONS:

DO: CLEAN WITH CLEAR WATER. DRY WITH A SOFT COTTON FLANNEL CLOTH.

DO NOT: DO NOT CLEAN THE PRODUCT WITH SOAPS, ACID, POLISH, ABRASIVES, HARSH CLEANERS, OR A CLOTH WITH A COARSE SURFACE.

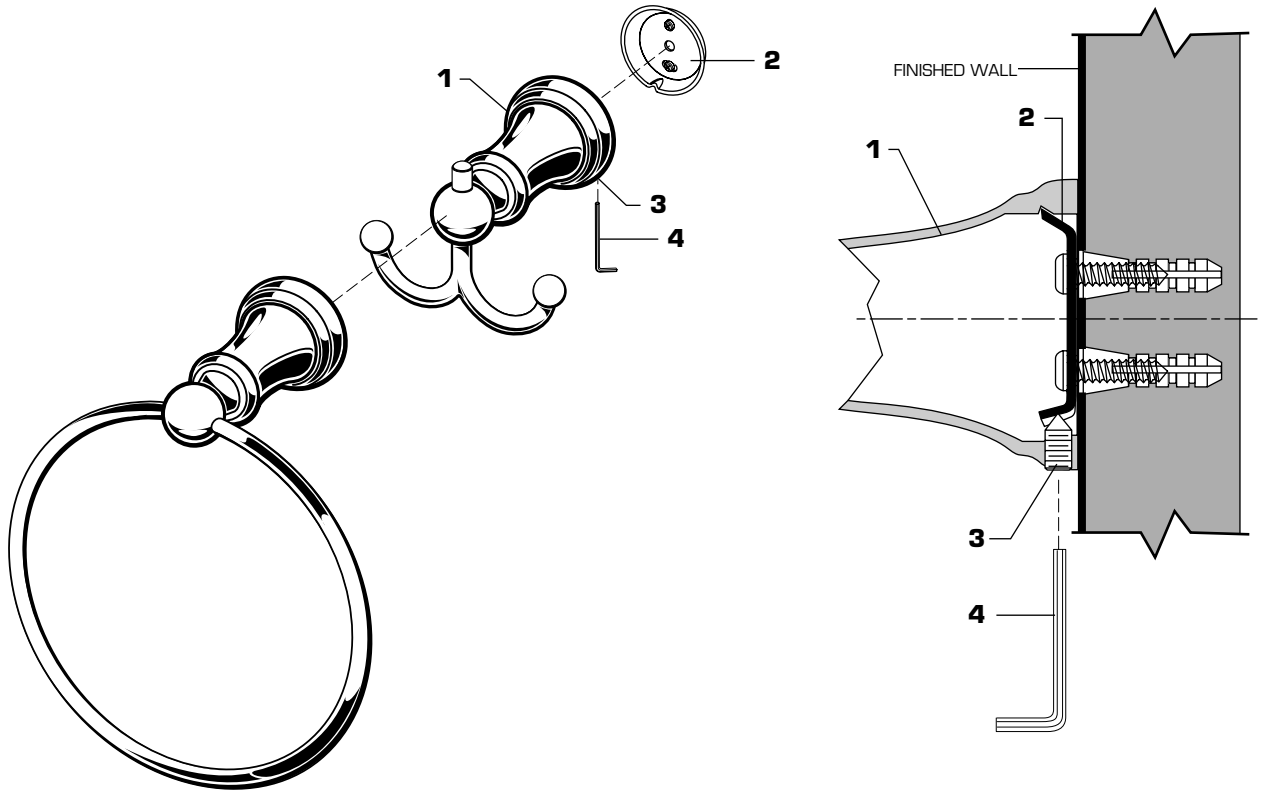
1 INSTALLATION OF MOUNTING BRACKETS FOR ALL WALL MOUNTED ACCESSORIES

- The WALL MOUNTED ACCESSORIES work best if secured to a wall stud or cross brace within the wall, using the SCREWS (2) supplied.
- If the ACCESSORY is to be installed on a tile or plaster wall, the ANCHORS (3) and SCREWS (2) should be used.
- Determine desired height and location (optional) and mark a center line. Make sure the centerline is level. Using the MOUNTING BRACKET (1) as a template, mark the two spots for the mounting holes. If MOUNTING BRACKET (1) is secured to a stud or cross brace, drill small pilot holes for SCREWS (2).
- For installations on tiled walls or drywall, use TILE ANCHORS (3) and SCREWS (2) for securing MOUNTING BRACKET (1) to wall. Drill two 1/4" diameter holes a minimum of 1-1/4" deep. Insert the two TILE ANCHORS (3) flush with face of finished wall. Place MOUNTING BRACKET (1) over TILE ANCHORS (3) and insert SCREWS (2) provided with a flat blade screwdriver. See illustration below.
- Secure MOUNTING BRACKET (1) to wall with SCREWS (2).



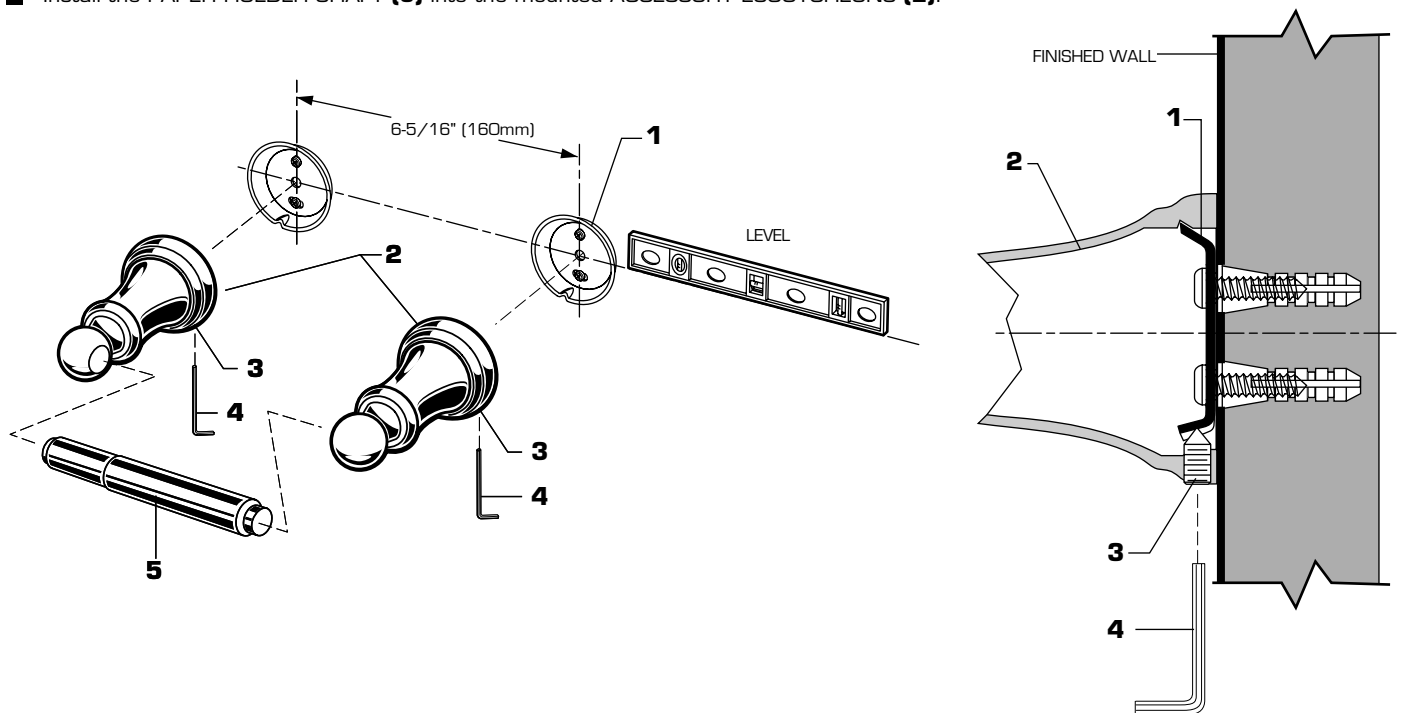
2 TOWEL RING and ROBE HOOK INSTALLATION

- Refer to **Step 1** for installation of MOUNTING BRACKET (2). Align accessory and place ACCESSORY ESCUTCHEON (1) onto MOUNTING BRACKET (2). Secure accessory with SET SCREW (3) using a 4mm HEX WRENCH (4).



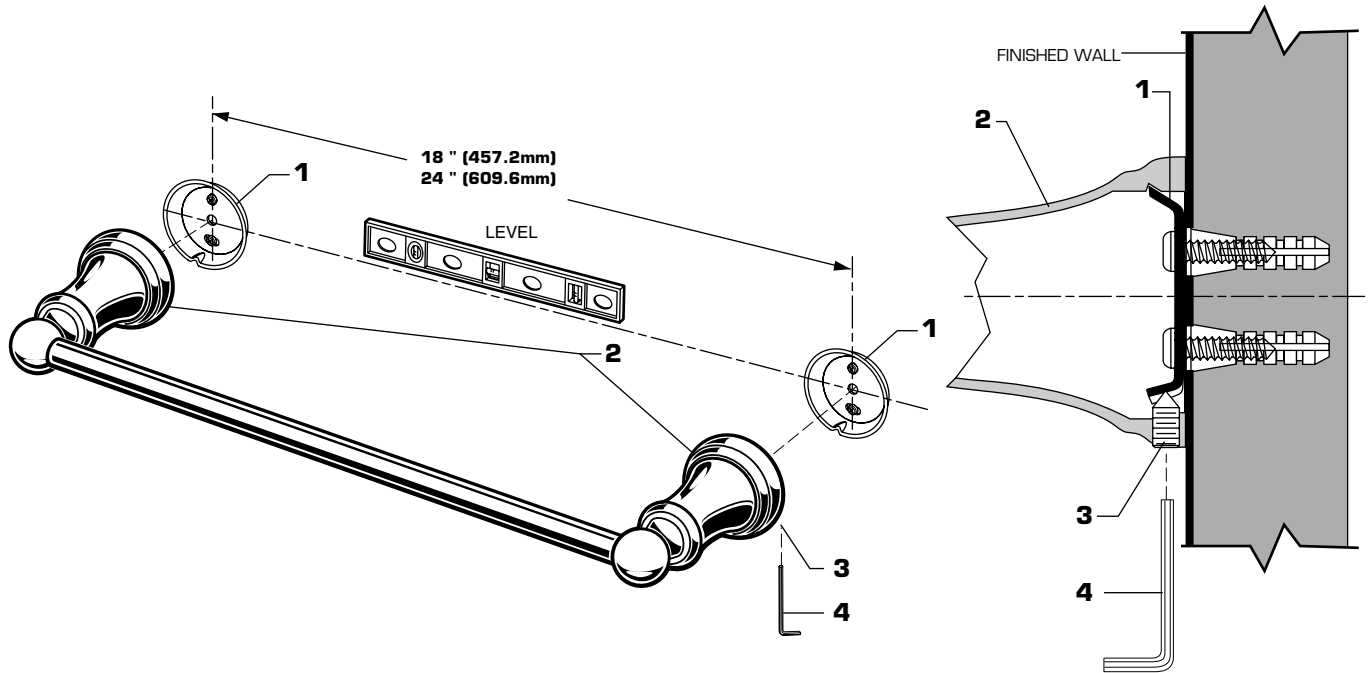
3 INSTALL TOILET PAPER HOLDER

- Refer to **Step 1** for installation of MOUNTING BRACKETS (1). **NOTE: The center line distance between the two MOUNTING BRACKETS is 6-5/16" (160mm). Make sure the two MOUNTING BRACKETS (1) are level.**
- Install the ACCESSORY ESCUTCHEONS (2) on the MOUNTING BRACKETS (1). Make sure the ACCESSORY ESCUTCHEONS (2) with holes for the horizontal shaft are facing inward. Secure ACCESSORY ESCUTCHEONS (2) with SET SCREW (3) using a 4mm HEX WRENCH (4).
- Install the PAPER HOLDER SHAFT (5) into the mounted ACCESSORY ESCUTCHEONS (2).



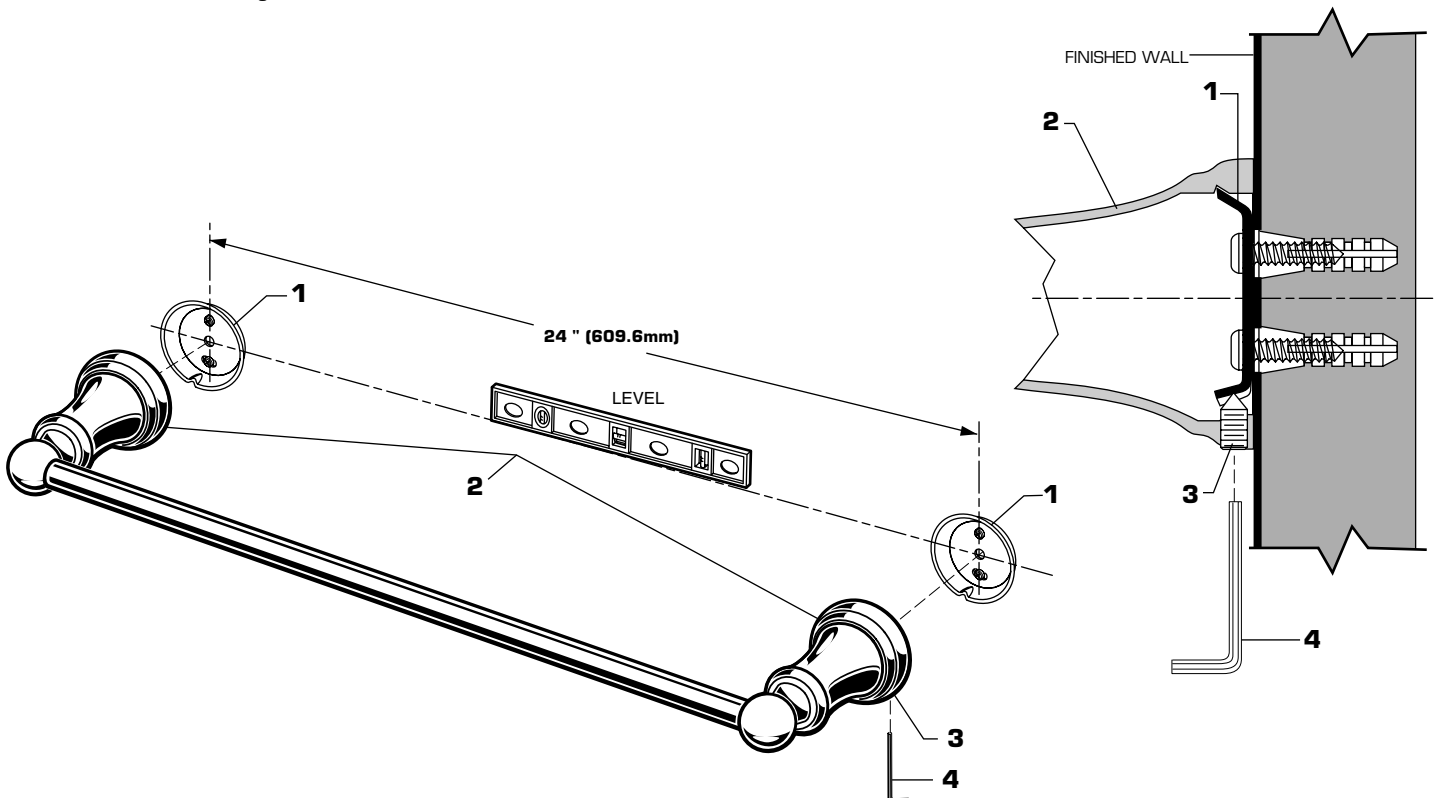
4 18" TOWEL BAR INSTALLATION

- Refer to *Step 1* for installation of MOUNTING BRACKETS (1). **NOTE: The center line distance between the two MOUNTING BRACKETS is 18" (457.2mm). Make sure the two MOUNTING BRACKETS (1) are level.**
- Install the ACCESSORY ESCUTCHEONS (2) on the MOUNTING BRACKETS (1). Secure ACCESSORY ESCUTCHEONS (2) with SET SCREW (3) using a 4mm HEX WRENCH (4).



5 24" TOWEL BAR INSTALLATION

- Refer to *Step 1* for installation of MOUNTING BRACKETS (1). **NOTE: The center line distance between the two MOUNTING BRACKETS is 24" (609.6mm). Make sure the two MOUNTING BRACKETS (1) are level.**
- Install the ACCESSORY ESCUTCHEONS (2) on the MOUNTING BRACKETS (1). Secure ACCESSORY ESCUTCHEONS (2) with SET SCREW (3) using a 4mm HEX WRENCH (4).



American Standard

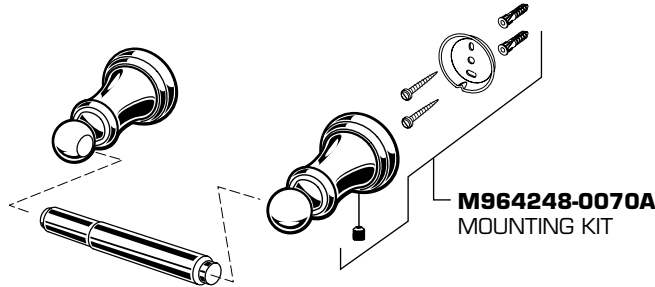
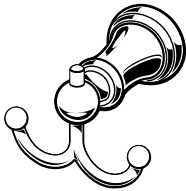
**TR SERIES
Traditional Round
Accessories**

**18" TOWEL BAR
24" TOWEL BAR
TOWEL RING
DOUBLE ROBE HOOK
TOILET PAPER HOLDER**

MODEL NUMBERS

**8334.018
8334.024
8334.190
8334.210
8334.230**

**DOUBLE ROBE HOOK
8334.210**

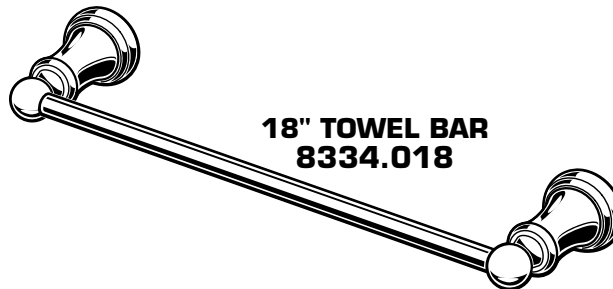


**M964248-0070A
MOUNTING KIT**

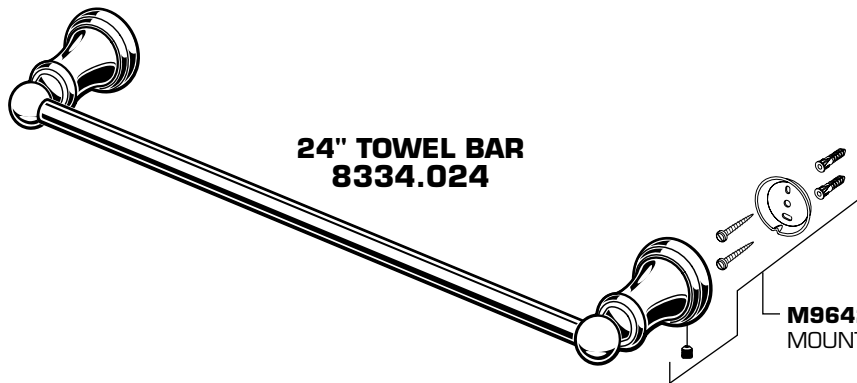
**TOILET PAPER HOLDER
8334.230**



**TOWEL RING
8334.190**



**18" TOWEL BAR
8334.018**



**24" TOWEL BAR
8334.024**

**M964248-0070A
MOUNTING KIT**

CHROME	002
OIL RUBBED BRONZE	224
SATIN NICKEL	295



HOT LINE FOR HELP
For toll-free information and answers to your questions, call:
1-800-442-1902
Weekdays 8:00 a.m. to 8:00 p.m. EST
IN MEXICO 01-800-839-1200

IN CANADA 1-800-387-0369 (TORONTO 1-905-306-1093)
Weekdays 8:00 a.m. to 7:00 p.m. EST

Product names listed herein are trademarks of American Standard Inc.
© AS America, Inc. 2012