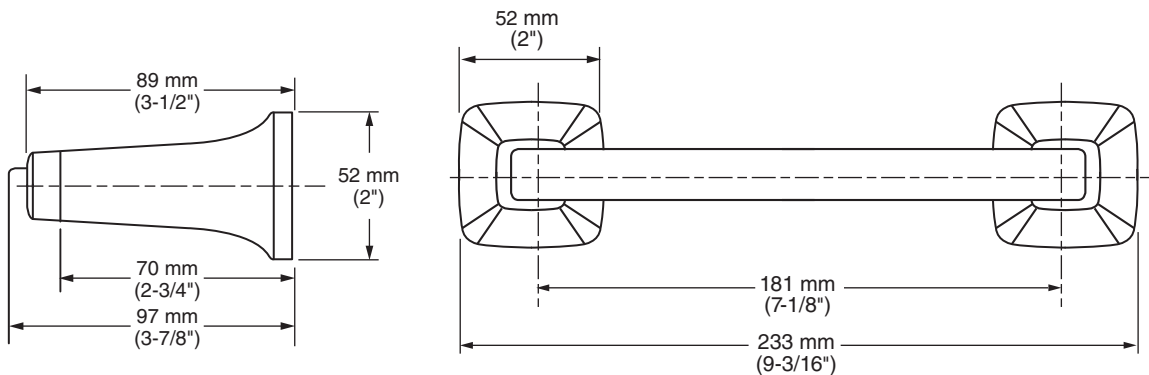


**MODEL NUMBER:**

□ 7353.230 - Pivoting Toilet Paper Holder

**Available Finishes**

002	Polished Chrome
013	PVD Polished Nickel
278	Legacy Bronze
295	PVD Satin Nickel



**PRODUCT FEATURES:**

**Materials of Construction:** Metal construction for durability & long life.

**Concealed Mounting:** No exposed set screws.

**Easy to Install**

**Easy to Use:** Pivoting toilet paper bar for quick and easy replacement .

**SUGGESTED SPECIFICATION**

Toilet Paper Holder shall feature metal construction. Shall feature concealed mounting with no exposed set screws. Toilet Paper Holder bar shall pivot. Toilet Paper Holder shall be American Standard Model # 7353.230.....