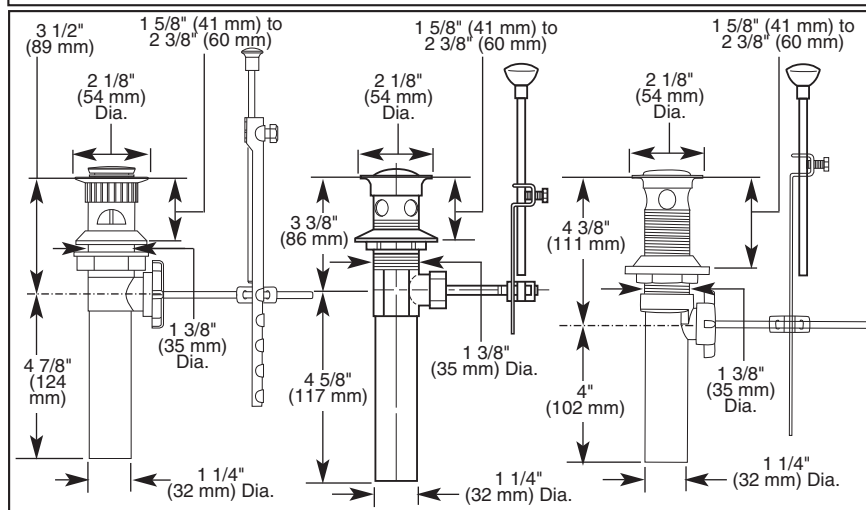
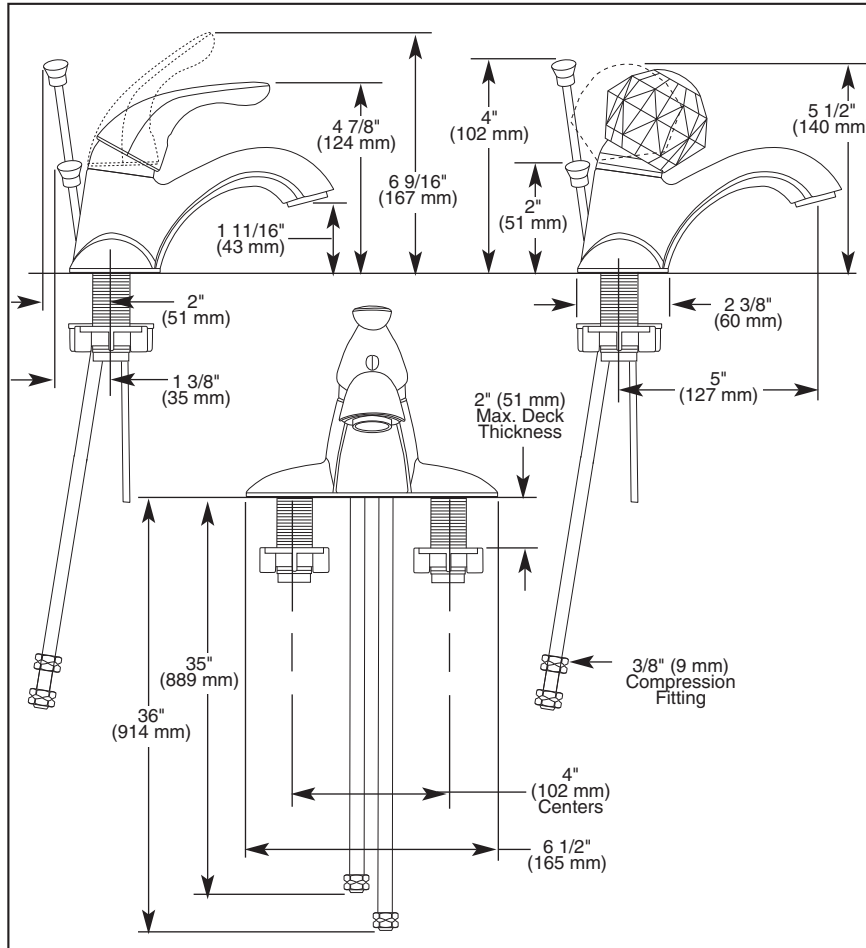


Submitted Model No.: _____

Specific Features: _____



LAVATORY FAUCETS

- Classic Series
- Diamond™ Seal Technology
- Single Handle Deck Mount
- 3 Hole Sink Applications
- 4" Centerset

STANDARD SPECIFICATIONS:

- 4" (102 mm) centerset.
- 5" (127 mm) long spout.
- Lever and knob handle. Control mechanism is the diamond embedded ceramic disc cartridge.
- Control handle shall return to neutral position when valve is turned off.
- 3/8" O.D. straight, staggered pex supply tubes - 35" (889 mm) and 36" (914 mm) long.
- Models with suffix "MPU" have metal drain with pop-up type fitting with plated flange and stopper.
- Models with suffix "PPU" have plastic pop-up type fitting with plated flange and stopper.
- Models with no suffix have brass drain w/plastic tailpiece.
- Models have a maximum 1.5 gpm flowrate @ 60 PSI.
- Lever handles have red/blue button.

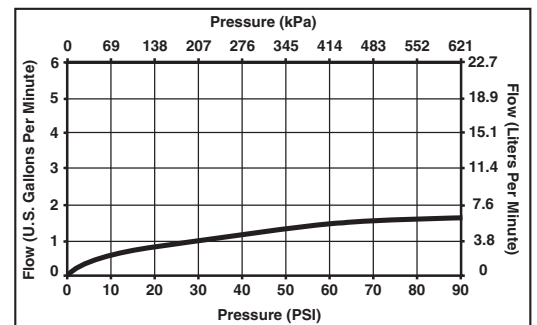
WARRANTY

- Lifetime Faucet and Finish Limited Warranty to the original consumer purchaser to be free from defects in material and workmanship.
- 5 Year Limited Warranty for usage in all industrial, commercial and business applications.



COMPLIES WITH:

- ASME A112.18.1 / CSA B125.1
- ASME A112.18.2 / CSA B125.2
- Indicates compliance to ICC/ANSI A117.1
- EPA Water Sense



55 E. 111th Street, Indianapolis, Indiana 46280
 350 South Edgeware Road, St. Thomas, ON N5P 4C4
 © 2011 Masco Corporation of Indiana

Delta reserves the right (1) to make changes in specifications and materials, and (2) to change or discontinue models, both without notice or obligation. Dimensions are for reference only. See current full-line price book or www.specselect.com for finish options and product availability.

DSP-L-500-DST Rev. C