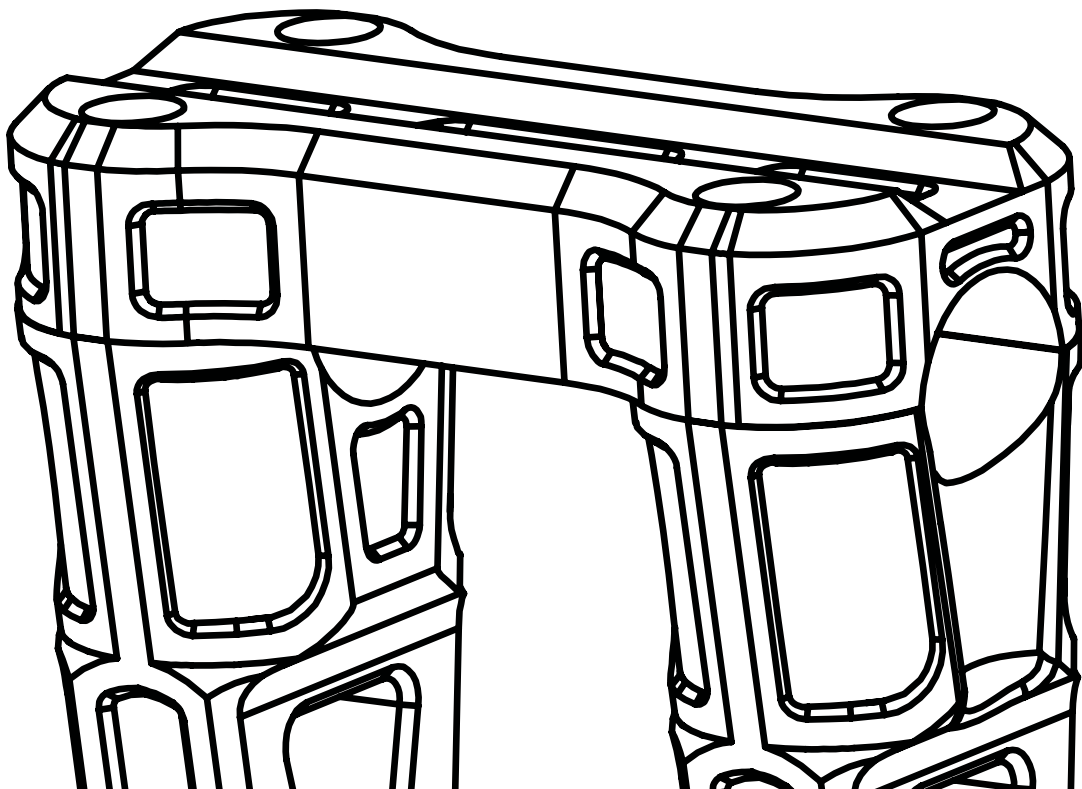
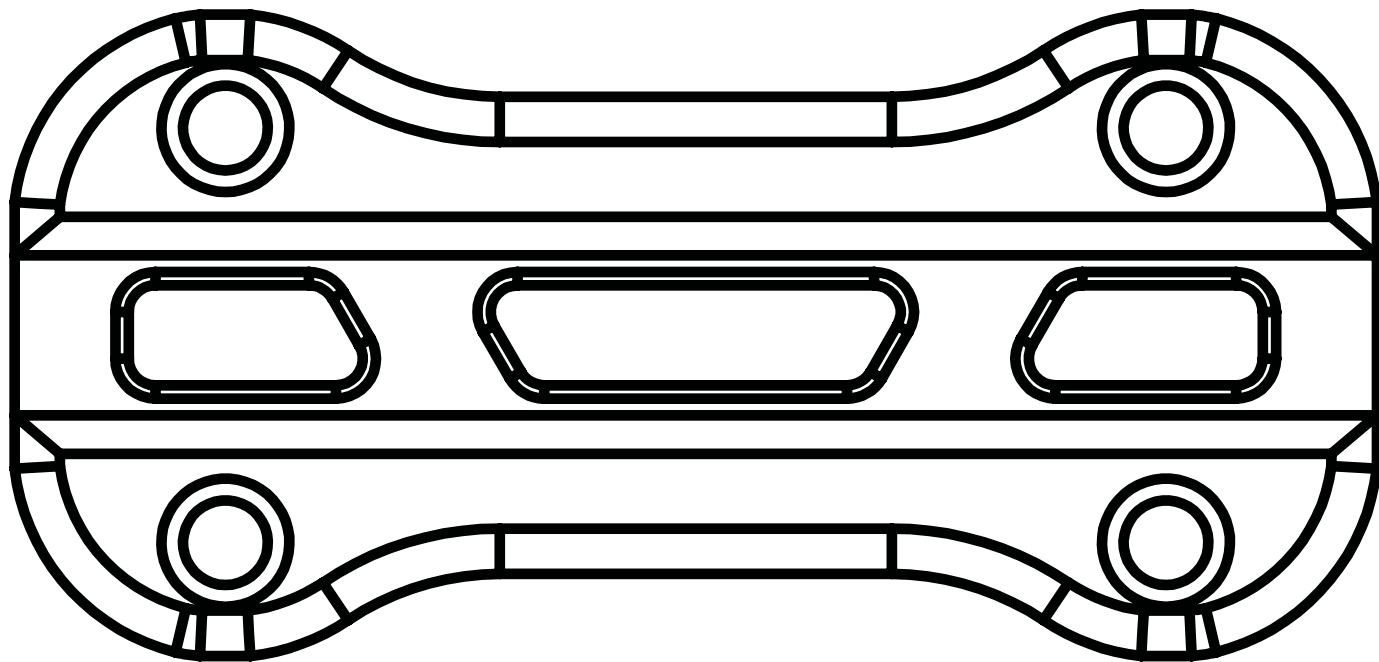




HELLBEND PRODUCT LINE CATALOG



What is Curve-Cut™?

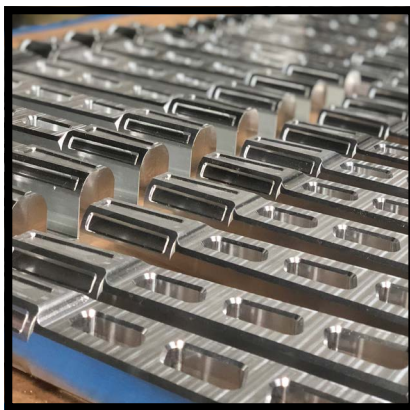


Hellbend Curve-Cut™ Bar risers are like nothing you've seen before. We gave up the everyday 2D contour machine processes with hard chamfered edges, transitioning over to the intricate world of multi-axis 3D machining.

Our Curve-Cut™ Risers are stylized with smooth sweeping radii around the top knuckles and lower mounts. Along with clean tangential transitions between key features for an uninterrupted visual flow. Utilizing our Adaptive 3D milling processes, we're able to provide a design that stands out miles from the crowd, with details you won't find in another set of risers. The types of features not achievable by just any home brew machinist.

The 3D process operates along all 3, and at times 4 axis at once in order to provide these features, vs conventional milling operating on only 2 axis at a given time. 13 hours of mill processes is what goes into just machining of a set of Curve-Cuts. Followed up by 7+ hours of hand polishing, and a multi-stage UV resistant Bright Anodizing process.

Sounds like a long time? You bet it is. Is it worth it? Hell yes, it is. To be able to provide our customers with a truly unique, top quality product, we can't think of a better way to spend our time than machining these bad-ass risers for our customers and their bikes.



Hellbend is all about making your bike truly yours. That's why we've taken the time to design and machine our Curve-Cut™ Risers in a variety of options that'll fit your needs. Available in both Straight, and Pull-back designs. Both featuring our distinguished Curve-Cut 3D Machining, and premium hand polished or UV resistant Anodized finish. Whatever your comfort or style needs might be, we've got you covered. Both options have heights available in 4", 6", 8", 10" and 12", as well as provisions for 1" or 1-1/8" handlebars.

Straight Style Handlebars Risers



| Fits 1" Handlebars | |
|--------------------|---|
| Part No | Kit |
| HB-SC2-1 | 2" Clamp Handlebar Risers - Anodized Black |
| HB-SC4-1 | 4" Clamp Handlebar Risers - Anodized Black |
| HB-SC6-1 | 6" Clamp Handlebar Risers - Anodized Black |
| HB-SC8-1 | 8" Clamp Handlebar Risers - Anodized Black |
| HB-SC10-1 | 10" Clamp Handlebar Risers - Anodized Black |
| HB-SC12-1 | 12" Clamp Handlebar Risers - Anodized Black |

| Fits 1-1/8" Handlebars | |
|------------------------|---|
| Part No | Kit |
| HB-SC2-18 | 2" Clamp Handlebar Risers - Anodized Black |
| HB-SC4-18 | 4" Clamp Handlebar Risers - Anodized Black |
| HB-SC6-18 | 6" Clamp Handlebar Risers - Anodized Black |
| HB-SC8-18 | 8" Clamp Handlebar Risers - Anodized Black |
| HB-SC10-18 | 10" Clamp Handlebar Risers - Anodized Black |
| HB-SC12-18 | 12" Clamp Handlebar Risers - Anodized Black |

Pull-Back Style Handlebar Risers

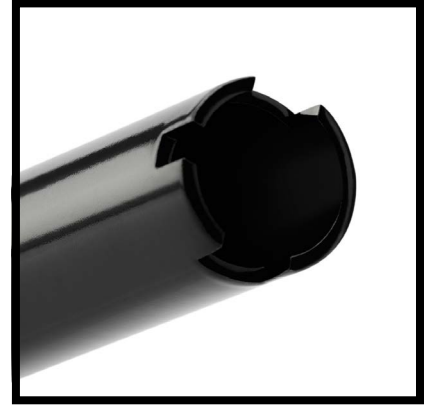
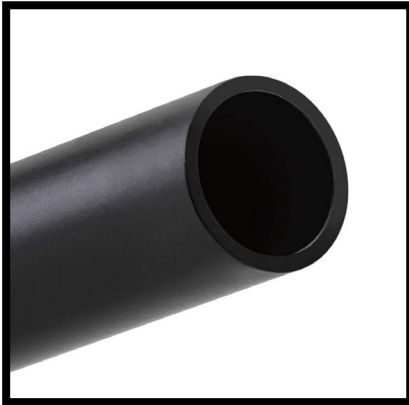


| Fits 1" Handlebars | |
|--------------------|---|
| Part No | Kit |
| HB-PB2-1 | 2" Clamp Handlebar Risers - Anodized Black |
| HB-PB4-1 | 4" Clamp Handlebar Risers - Anodized Black |
| HB-PB6-1 | 6" Clamp Handlebar Risers - Anodized Black |
| HB-PB8-1 | 8" Clamp Handlebar Risers - Anodized Black |
| HB-PB10-1 | 10" Clamp Handlebar Risers - Anodized Black |
| HB-PB12-1 | 12" Clamp Handlebar Risers - Anodized Black |

| Fits 1-1/8" Handlebars | |
|------------------------|---|
| Part No | Kit |
| HB-PB2-18 | 2" Clamp Handlebar Risers - Anodized Black |
| HB-PB4-18 | 4" Clamp Handlebar Risers - Anodized Black |
| HB-PB6-18 | 6" Clamp Handlebar Risers - Anodized Black |
| HB-PB8-18 | 8" Clamp Handlebar Risers - Anodized Black |
| HB-PB10-18 | 10" Clamp Handlebar Risers - Anodized Black |
| HB-PB12-18 | 12" Clamp Handlebar Risers - Anodized Black |

Low Tracker Handlebars

Hellbend line of 1" low tracker handlebars for all harley davidson models. Our handlebars will give you 2.25" of rise and measure 30" end-to-end with precision CNC mandrel bends. Available for throttle-by-wire- and throttle models. Pairs great with our Curve-cut™ Handlebar Risers for 1" bars.



| Part No | Kit |
|------------|--|
| HB-HD-TBWM | 1" Diameter Matte Finish Throttle-by-Wire Models |
| HB-HD-TBWG | 1" Diameter Gloss Finish Throttle-by-Wire Models |
| HB-UN-TBWM | 1" Diameter Matte Finish Cable Throttle Models |

TANK RISERS



| Part No | Kit |
|-------------|---|
| TR-06SB-DY2 | 2006-2017 Dyna Street Bob 2" Tank Riser Kit |
| TR-88LR-DY2 | 1988-2017 Dyna Low Rider 2" Tank Riser Kit |
| TR-08FB-DY2 | 2008-2017 Dyna Fat Bob 2" Tank Riser Kit |
| TR-12SB-DY2 | 2012-2016 Dyna Switchback 2" Tank Riser Kit |
| TR-95SP-122 | 1995-2020 SPORTSTER 1200 2" TANK RISER KIT |
| TR-95SP-882 | 1995-2020 SPORTSTER 883 2" TANK RISER KIT |

Lift Kits



1.75" Rear Lift Kit

| Part No | Kit |
|---------------|---|
| RL-06WG-DY175 | 2006-2017 Harley Davidson Dyna Wide Glide |
| RL-06FB-DY175 | 2006-2017 Harley Davidson Dyna Fat Bob |
| RL-06SB-DY175 | 2006-2017 Harley Davidson Dyna Street Bob |
| RL-06SW-DY175 | 2006-2017 Harley Davidson Dyna Switchback |



Rear Swing Arm Lift Kit

| Part No | Kit |
|---------------|---|
| RL-05SP-HD125 | 2005-2021 Harley Davidson Sportster - 1.25" |



Rear Lift Shock Extension

| Part No | Kit |
|---------------|---|
| RL-18ST-SE175 | 2018-2019 Harley Davidson Softail Shock Extension |

Front Fork Lifts



| Part No | Kit |
|-----------|----------------------------|
| FL-075-FC | 0.75" Front Lift Fork Caps |

Lowering Kits



| Part No | Kit |
|-----------|---|
| LK-02EG-2 | 2002-2016 Harley Davidson Electra Glide 1"-2" |
| LK-02EG-3 | 2002-2016 Harley Davidson Electra Glide 1"-3" |
| LK-02RG-2 | 2002-2016 Harley Davidson Road Glide 1"-2" |
| LK-02RG-3 | 2002-2016 Harley Davidson Road Glide 1"-3" |
| LK-02RK-2 | 2002-2016 Harley Davidson Road King 1"-2" |
| LK-02RK-3 | 2002-2016 Harley Davidson Road King 1"-3" |
| LK-02SG-2 | 2002-2016 Harley Davidson Street Glide 1"-2" |
| LK-02SG-3 | 2002-2016 Harley Davidson Street Glide 1"-3" |
| LK-02UG-2 | 2002-2016 Harley Davidson Ultra Glide 1"-2" |
| LK-02UG-3 | 2002-2016 Harley Davidson Ultra Glide 1"-3" |

Headlight Bracket Mount

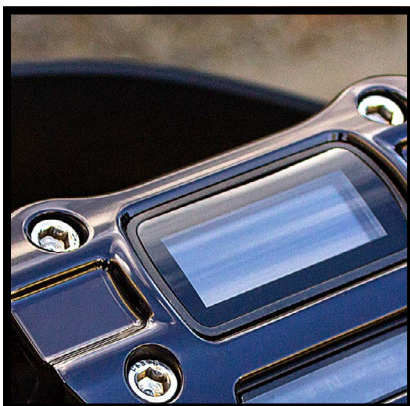


| Part No | Kit |
|------------|---|
| HL-18FB-BM | 2018-2020 Harley Davidson Fat Bob Headlight Bracket Mount |

Gauge Cluster Top Mounts



| Part No | Kit |
|----------|---|
| TM-M8-1 | Milwaukee-Eight Digital Gauge Cluster Top Mount for 1" bars |
| TM-M8-18 | Milwaukee-Eight Digital Gauge Cluster Top Mount for 1-1/8" bars |



Indian Scout Riser Adapter & Speedometer Housing



Riser & Speedometer are not included



| Part No | Kit |
|---------|--|
| RA-IS | Indian Scout & Scout Bobber Riser Adapter with Speedometer Housing |



Riser & Speedometer are not included



Warranty Information

What does our Lifetime Warranty Cover?

Our Lifetime Warranty guarantees our parts to be free from manufacturing defects. Manufacturing defects include abnormal breakages, imperfect threading, and material defects such as cracks and faulty welds. Parts must be used normally in accordance instructed by the manufacturer.

What our Lifetime Warranty does not cover?

Please understand, due to the nature of our parts, there will be gradual wear and tear on the part from prolonged use and you will see eventual surface damage such as, but not limited to, dents and scratches. This does not fall under manufacturing defects and thus is not covered under our Lifetime Warranty.

Our Lifetime Warranty DOES NOT cover parts that have also been misused, abused, improperly installed, modified in anyway from the original part, and purposefully damaged.



Thank you so much for your interest in our Hellbend brand and parts. Hellbend is not just a cool sounding name, Hellbend also means Premium Quality parts, Premium Quality Parts that will surely satisfy you.



HELLBEND, USA

