

NUMATICS®

ISO Series

ISO 15407-2



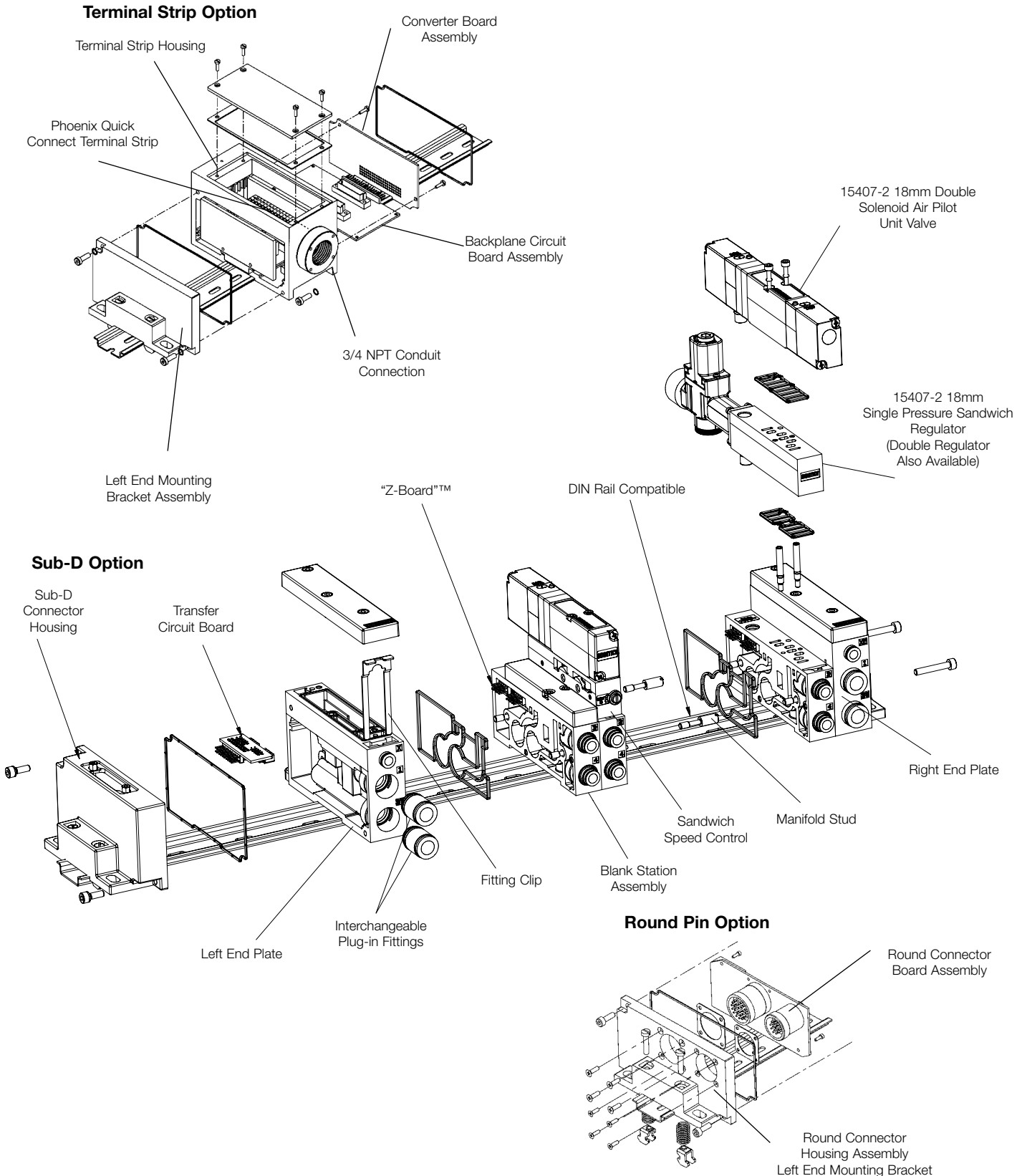
www.numatics.com

ISO 15407-2 Series

ISO 18mm Series	4-21
Terminal Strip, Sub-D, and 26 & 12 Round Pin Options-Exploded View	4
Technical and Operating Data	5
How to Order	6
Sandwich Pressure Regulators	7
Valve Regulator/Speed Control Plug-in Assembly	8
Regulator Service Kits and Parts	8
Sandwich Pressure Regulator Dimensions	9
Gauge Kit	9
Manifold Assemblies	10
Valve on Manifold Block	11
Mid-Station Supply and Exhaust Block	12
Solenoid Pilot Assembly	13
Blank Station Plate Kit	13
Speed Control Kit	13
Interchangeable Push-in Cartridge Fittings	14
DIN Rail Clamp Kit	14
Blocking Discs	14
Ribbon Cable Assembly Kit	15
End Plate Kits	16
Manifold Assembly Dimensions	17
Internal Pilot Plug	18
Internal/External Pilot Selection	18
Internal Muffler	18
Valve Service Kits and Parts	19-20
Valve Service Kits and Parts, Dual 3-Way	20
ISO 26mm Series	22-40
Terminal Strip, Sub-D, and Round Connector Options-Exploded View	22
Technical and Operating Data	23
How to Order	24
Sandwich Pressure Regulators	25
Valve Regulator/Speed Control Plug-in Assembly	26
Regulator Service Kits and Parts	26
Sandwich Pressure Regulator Dimensions	27
Gauge Kit	27
Manifold Assemblies	28
Valve on Manifold Block	29
Mid-Station Supply and Exhaust Block	30
Sandwich Pressure Block	30
Sandwich Exhaust Block	30
Solenoid Pilot Assembly	31
Blank Station Plate	31
Speed Control Kit	31
Interchangeable Push-in Cartridge Fittings	32

DIN Rail Clamp Kit	32
Blocking Discs	32
Ribbon Cable Assembly Kit	33
End Plate Kits	34-35
Manifold Assembly	36
Internal/External Pilot Selection	37
Internal Muffler	37
Valve Service Kits and Parts	38-40
Assembly Kits	41-47
How to Order	41-42
Adaptor Plate Kit	43
Connector Kits	44-46
25 or 37 Pin Sub-D	44
1-16 or 1-32 Terminal Strip	45
26 or 26+12 Pin Round Connector	45
12 or 19 Pin Round Connector Kit	46
Electrical Interface	47

**Terminal Strip, Sub-D, and 26 & 12 Round Pin Options
(exploded view)**



5 Ported, 2 and 3 position, 4-way, Spool & Sleeve

Cv: 0.56

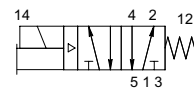
- Solenoid air pilot actuated
- Low wattage plug-in
- DC solenoids polarity insensitive with surge suppression
- Plug together circuit boards eliminate internal wiring
- Integral recessed gaskets
- Interchangeable push-in fittings to accommodate various tube sizes
- Simple conversion from internal to external pilot
- Modular plug-together Fieldbus electronics
- NEMA 4/IP65



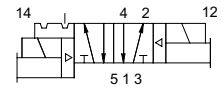
Technical Data: 18mm Spool and Sleeve

Valve Data	English	Metric
Cv	0.56	0.56
Flow Capacity	26 SCFM	552 NI/m
	Upstream pressure to atmosphere @80 PSIG	@ 6 bar upstream/5 bar downstream
Operating Pressure Range	28" HG Vacuum to 150 PSIG	Vacuum to 10 bar
Pilot Pressure Range	26 to 120 PSIG	1.8 to 8.2 Bar
Temperature Range (Ambient)	-10° F to +115° F	-23° C to +46° C

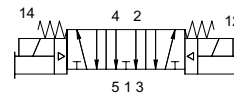
single solenoid air pilot
2 position 4-way



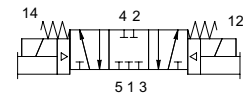
double solenoid air pilot
2 position 4-way



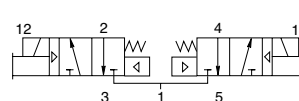
double solenoid air pilot 3 position
4-way open center



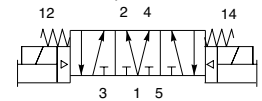
double solenoid air pilot 3 position
4-way closed center



double solenoid air pilot
2 position 3-way
"14" & "12" NC



double solenoid air pilot
3 position 4-way,
pressure center



Operating Data

All Solenoids Are Continuous Duty Rated	24 VDC	110 - 120 VAC 50/60 Hz
Power (Watts)	1.35	3.7
Holding Current (Amps.)	0.04	0.04

Response Time in Seconds	Energize	De-Energize	Energize	De-Energize
2-Position, Single, Spring Return	0.014	0.016	0.014	0.016
2-Position, Double, Detented	0.013	N/A	0.013	N/A
3-Position, Spring Centered	0.014	0.016	0.014	0.016
Dual 3 Way	0.014	0.016	0.014	0.016

How to Order 15407-2 18 mm

Valves

I5 1 BB 4 Z6 M N 000 61

Valve Series
 I5 = 18mm (Spool / Sleeve)
 R5 = 18mm (Rubber Packed D & E Function Only)

Port Size
 1 * = 1/8 (Threaded only)
 2 = 1/4 (Push-in only)
 F = 6mm
 H = 8mm
 *Use for valve unit only (Mounting = 00).

Valve Type
 BA = Single Solenoid Pilot, (Spring Return) w/flush Non-Locking Override
 BB = Double Solenoid Pilot w/Flush Non-Locking Override
 00 = Blank Station

Function
 4 = 2 position, 4-way
 5 = 3 position, 4-way open center
 6 = 3 position, 4-way closed center
 7 = 3 position, 4-way, pressure center
 D = Dual 3-way, 4 Normally Closed - 2 Normally Closed (R5 Only)
 E = Dual 3-way, Vacuum Service, 4 Normally Closed - 2 Normally Closed (R5 Only)
 P = Blank Station Plate

Voltage
 20 = 24/50-60 VAC
 30 = 110-120/50-60 VAC
 60 = 12 VDC
 61 = 24 VDC
 00 = Blank Station

Options
 000 = Standard
 11M = No Override
 11B = Flush Locking Override

Port Type
 L = Push-in Fitting
 N = NPTF (1/8 only)
 G = G Tap (1/8 only) ISO228/1-G
 0 = Valve Unit Only

Wiring Option
 K = Plug-in AC w/Light
 M = Plug-in DC w/Light
 O = Blank Station

Mounting
 00 = Valve unit only
 01 = 00 w/Speed Control
 Z1 = Manifold Block w/Side and Bottom Ports, Single Solenoid Internal Circuit Board
 Z2 = Manifold Block w/Side and Bottom Ports, Double Solenoid Internal Circuit Board
 Z5 = Z1 w/Speed Control
 Z6 = Z2 w/Speed Control
 R1 = Z1 w/Ribbon Cable Connector
 R2 = Z2 w/Ribbon Cable Connector
 R5 = Z5 w/Ribbon Cable Connector
 R6 = Z6 w/Ribbon Cable Connector

Regulators

I51 RS 1 Z1 J N 000 00

Valve Series & Port Size
 I51* = 1/8
 I52 = 1/4 (Push-in only)
 I5F = 6mm
 I5H = 8mm
 *Use for regulator unit only (Mounting = 00).

Regulator Type
 RS = Single Pressure to Port 1
 RD = Dual Pressure to Ports 3 & 5
 RT = 2 Pressure Selector
 RE = Dual Pressure to Ports 4 & 2

Pressure Range
 1 = 10-130 PSIG (0.7-9 bar)
 3 = 3-30 PSIG (0.2-2 bar)
 4 = 5-60 PSIG (0.5-4 bar)

Mounting
 00 = Regulator Unit Only
 Z1 = Manifold Block w/Side and Bottom Ports, Single Solenoid Internal Circuit Board
 Z2 = Manifold Block w/Size and Bottom Ports, Double Solenoid Internal Circuit Board
 Z5 = Z1 w/Speed Control
 Z6 = Z2 w/Speed Control
 R1 = Z1 w/Ribbon Cable Connector
 R2 = Z2 w/Ribbon Cable Connector
 R5 = Z5 w/Ribbon Cable Connector
 R6 = Z6 w/Ribbon Cable Connector

Special Options
 12H = Less Gauge
 16N = Jumper on 14 End
 16P = Jumper on 12 End
 16W = Top Facing Gauge
 61Y = Extended Gauge
 63D = 16W + 61Y Extended Top Facing Gauge

Port Type
 L = Push-in
 N = NPTF (1/8 only)
 G = G Tap (1/8 only) ISO228/1-G
 0 = Regulator Unit Only

Wiring Option
 J = Plug-in Receptacle Ass'y
 O = Non Plug-In (Type RE Only)

See Note Below

NOTE:

- * Regulator gauges must be offset on alternating stations to prevent interference (see photo)
- * Odd numbered stations will use either standard (no option) or top facing ("16W" option) gauges.
- * Even numbered stations will use either extended standard ("61Y" option) or extended top facing ("63D" option) gauges.



Sandwich Pressure Regulators

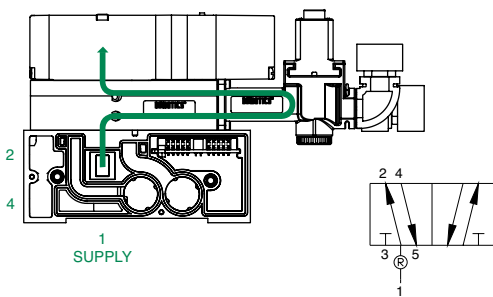
Types: RS / RD / RE / RT

When ordering a valve with a regulator mounted on a manifold, list the valve unit model number only and include the mounting requirements with the regulator.

Specify "Assembled."

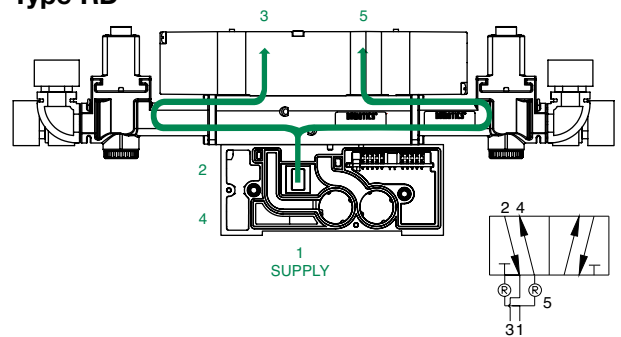
EXAMPLE ORDERS:	TYPE RS	TYPE RD
Valve unit only:	I51BA400K000030	I51BB400M000061
Regulator + mounting:	I52RS1Z1JL00000 ASSEMBLED	I52RD1Z2JL00000 ASSEMBLED

Type RS



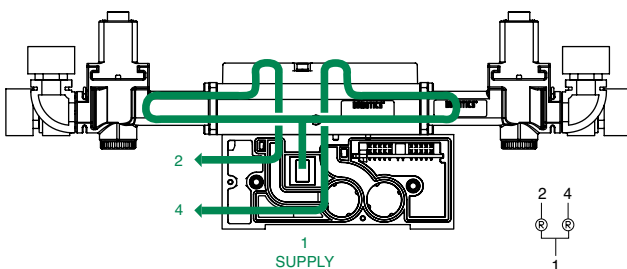
Single pressure from a single supply.

Type RD



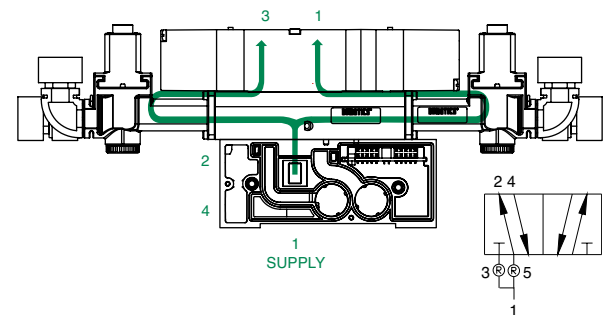
Dual pressure from a single supply.

Type RE



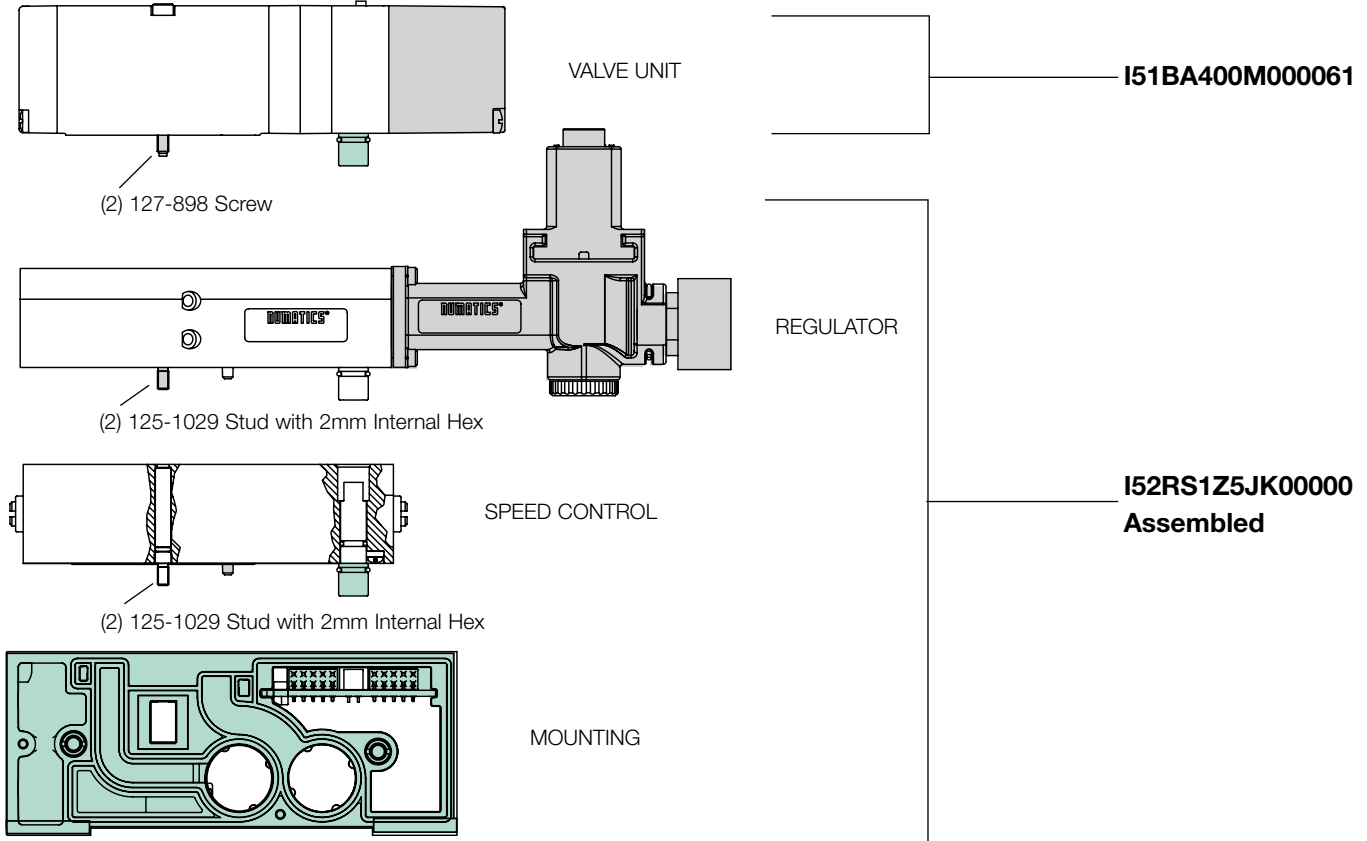
External outlet regulator used with jumper plate for single or dual pressure.

Type RT



Two-pressure selector used for multi-pressure applications.

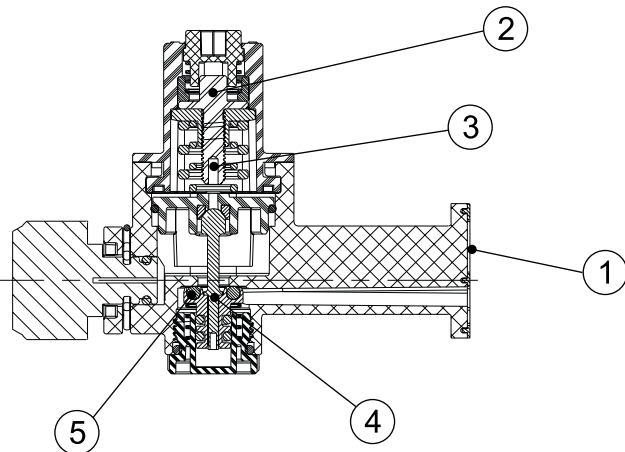
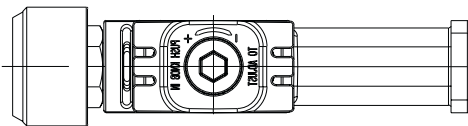
Valve Regulator / Speed Control Plug-in Assembly



Regulator Kits & Service Parts

Regulator Service Kit

239-1839



Regulator Unit Kits

(includes regulator assembly, gaskets, screws)

PSIG	Part No.
3-30 PSIG	239-1824
5-60 PSIG	239-1825
10-130 PSIG	239-1826

Bonnet Springs

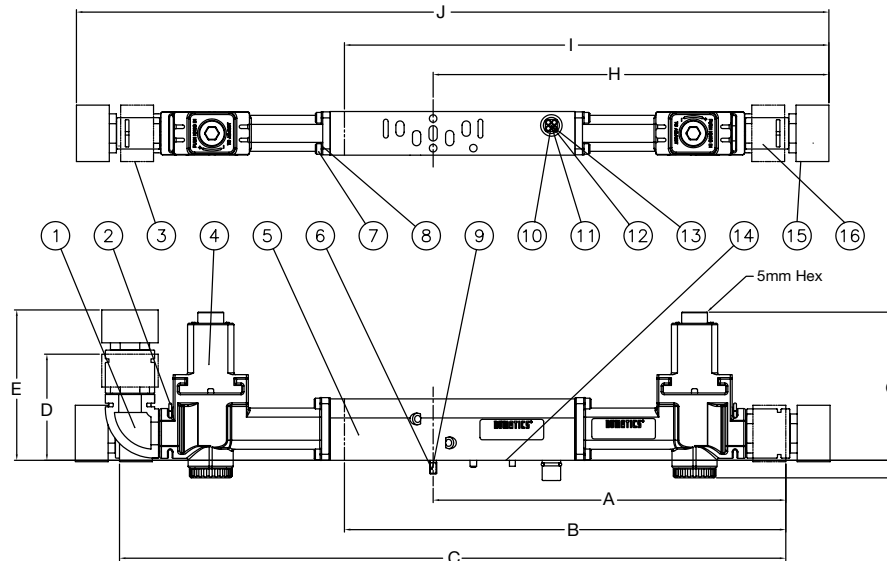
PSIG	Part No.
3-30 PSIG	115-421
5-60 PSIG	115-422
10-130 PSIG*	115-419
	115-420

* Both springs required

Det. No.	No. Req'd	Part Name
1	1	Gasket
2	1	Regulator Cap Assembly
3	1	Regulator Stem Assembly
4	1	Piston Assembly
5	1	O-Ring

Dimensions: Inches (mm)

Sandwich Pressure Regulator - 18mm



A	B	C	D	E	F	G	H	I	J	K	L	M
5.85 (148.6)	7.32 (185.9)	11.04 (280.4)	1.77 (44.9)	2.50 (63.6)	.29 (7.4)	2.37 (60.3)	6.59 (167.4)	8.06 (204.8)	12.52 (318.1)	.36 (9.3)	.73 (18.5)	.94 (23.9)



Gauge Kit

160 PSI	11 Bar Max.	60 PSI	4 Bar Max.
214-214	214-215	214-219	214-220

Elbow Kit	239-1217
Gauge Extension Kit	239-1790
Gauge Adapter Kit	239-1561

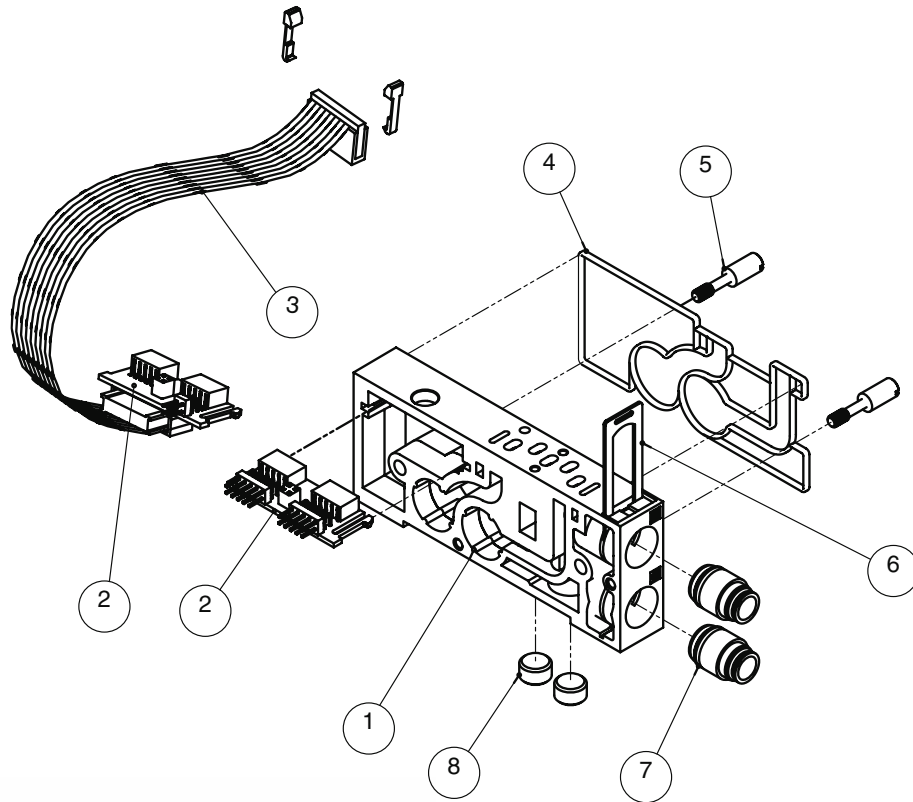
Parts List

Det. No.	No. Req'd.	Part Name	Part No.
1	1*	Elbow	134-505
2	1*	Pin	131-236
3	1*	Extender	134-536
4	1*	Regulator	See p. 6
5	1	Single Riser Block	Not sold separately
5	1	Double Riser Block	Not sold separately
6	2	Stud with 2mm Internal Hex	125-991
7	4**	Screw	127-957
8	4**	Lockwasher	128-352
9	2	O-Ring	126-187
10	1	Plug Assembly	230-1006
11	1	O-Ring	126-144
12	1	O-Ring	126-419
13	1	Screw	127-318
14	1	Gasket	113-212
15	1*	Gauge 160 PSI max.	214-212
15	1*	Gauge 11 bar max.	214-213
15	1*	Gauge 60 PSI max.	214-217
15	1*	Gauge 4 bar max.	214-218
16	1*	O-Ring	126-105

* (2) Required for RD

** (8) Required for RD

Manifold Assembly Kits



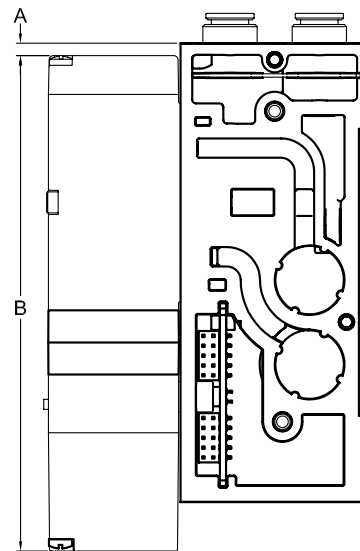
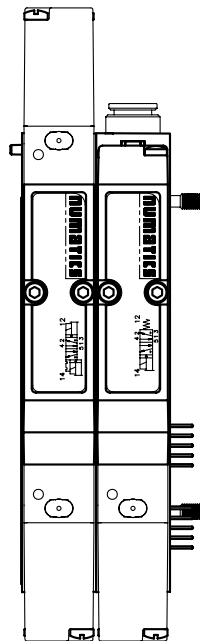
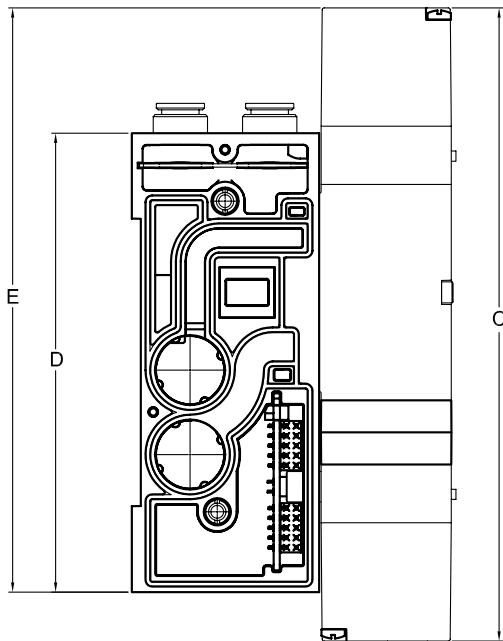
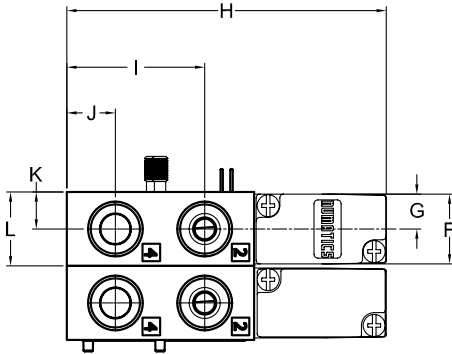
Component List

Det. No.	No. Req'd.	Part Name	Part No.
1	1	Manifold Block	<i>Not sold separately</i>
2	1	"Z-Board" [™]	<i>Not sold separately</i>
3	1	Ribbon Cable Assembly	230-1053
4	1	Gasket Manifold	113-571
5	2	Stud	125-1011
6	1	Retaining Clip	125-1013
7	2	Push-in Fittings	<i>See online PDF Push-in Fitting section</i>
8	2	Pipe Plug 1/8 NPTF	129-100
8	2	Pipe Plug G 1/8	129-160

Manifold Assembly Kits - 18 mm					
Side Port	1/8 NPTF	ISO228-G 1/8	1/4 Push-in	6 mm Push-in	5/16 (8 mm) Push-in
Bottom Prot	1/8 NPTF	ISO228-G 1/8	1/8 NPTF	ISO228-G 1/8	ISO228-G 1/8
Single "Z-Board" [™]	206-1719	206-1717	206-1723	206-1725	206-1721
Double "Z-Board" [™]	206-1720	206-1718	206-1724	206-1726	206-1722
Single "Z-Board" [™] w/Ribbon Cable	206-1729	206-1727	206-1733	206-1735	206-1731
Double "Z-Board" [™] w/Ribbon Cable	206-1730	206-1728	206-1734	206-1736	206-1732
Passive	206-1738	206-1737	206-1740	206-1741	206-1739

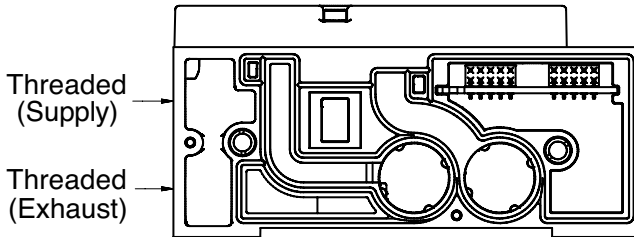
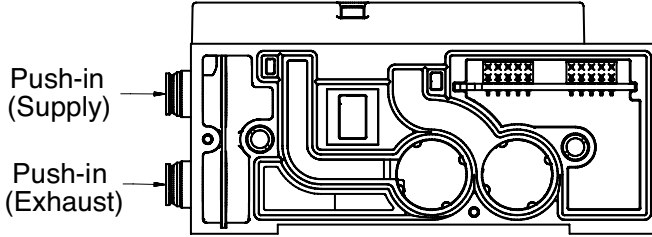
Dimensions: Inches (mm)

Valve on Manifold Block — 18 mm



A	B	C	D	E	F	G	H	I	J	K	L
0.13 (3.2)	5.02 (127.6)	6.42 (163.1)	4.65 (118.0)	5.93 (150.5)	0.71 (18.0)	0.35 (9.0)	3.24 (82.3)	1.40 (35.5)	0.49 (12.5)	0.37 (9.5)	0.75 (19.1)

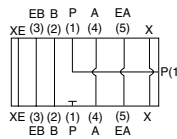
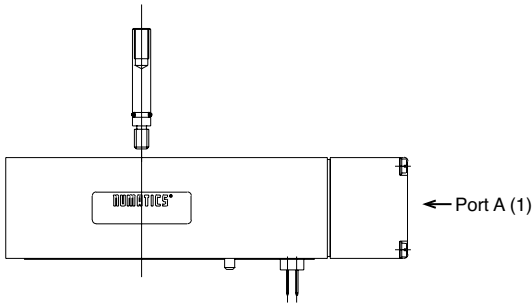
Mid-Station Supply and Exhaust Block



Mid-Station Supply & Exhaust Block Kits

	Part No.
1/4 Push-in	245-130
6mm Push-in	245-161
8mm Push-in	245-131
NPTF 1/8	245-128
G 1/8	245-129

Sandwich Pressure Block

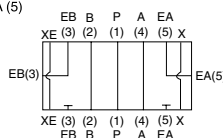
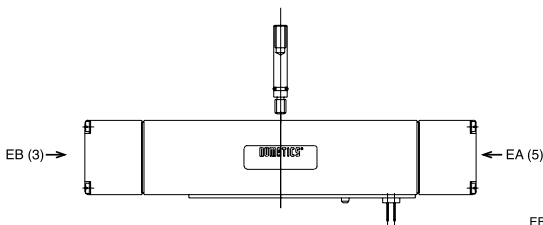


- Used to supply a separate pressure to a single valve station without needing blocking disks

Sandwich Pressure Block Kit

Port Type	Part No.
NPTF 1/8	245-165
G 1/8	245-164

Sandwich Exhaust Block

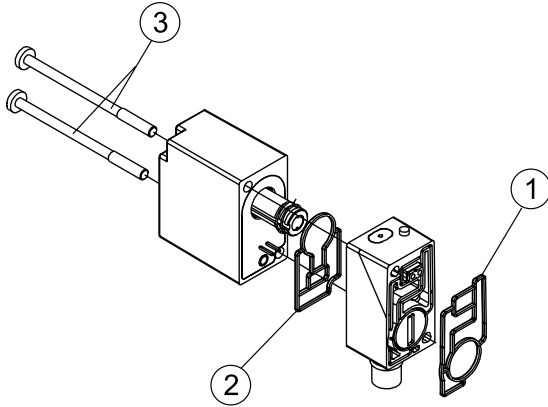


- Used to isolate the exhaust of a single valve station from the manifold.
- Allows faster exhaust response by re-routing.
- Exhaust externally to the manifold.

Sandwich Exhaust Block Kit

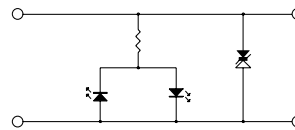
Port Type	Part No.
NPTF 1/8	245-166
G 1/8	245-163

Solenoid Pilot Assembly

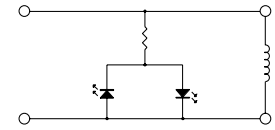


Description	12 VDC	24 VDC	24 VAC	120 VAC
14 end, push non-locking override	236-599	236-600	237-1209	237-1208
12 end, push non-locking override	236-501	236-502	237-1121	237-1118
14 end, turn & lock override	236-597	236-598	237-1207	237-1206
12 end, turn & lock override	236-500	236-503	237-1120	237-1117
14 end, no override	236-595	236-596	237-1205	237-1204
12 end, no override	236-499	236-504	237-1119	237-1116

Port Type	Part No.	Part Name	Part No.
1	1	Gasket	113-573
2	1	Gasket	113-572
3	2	Screw ('12' End)	127-658
3	2	Screw ('14' End)	127-1024



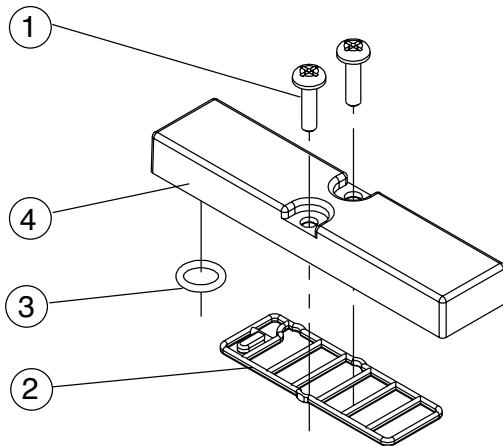
DC Solenoid
Circuit Diagram



AC Solenoid
Circuit Diagram

Blank Station Plate Kit

245-123

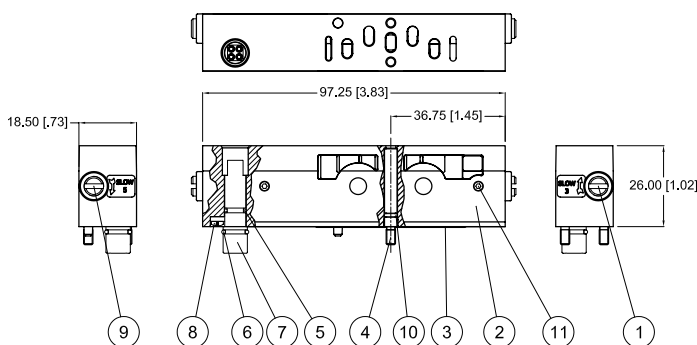


Parts List

Det. No.	No. Req'd.	Part Name	Part No.
1	2	Screw	127-570
2	1	Gasket	113-661
3	1	O-Ring	126-191
4	1	Blank Station Plate	104-844

Speed Control Kit

245-122



Det. No.	No. Req'd.	Part Name	Part No.
1	1	Metering Screw	118-184
Not Shown	2	Nylon Rod	125-131
2	1	Speed Control Body	119-802
3	1	Gasket	113-661
4	2	Stud	125-1180
5	1	O-Ring	126-419
6	1	O-Ring	126-144
7	1	Plug Assembly	230-1006
8	1	Screw	127-318
9	1	Metering Screw	118-205
10	2	O-Ring	126-345
11	2	Set Screw	127-686

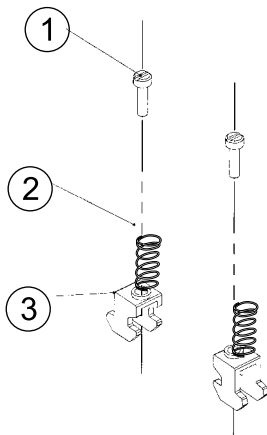
Interchangeable Push-in Cartridge Fittings



Ports	Size	Type	Part No.
1, 3, 5	10mm	Push-in	134-509
1, 3, 5	3/8"	Push-in	134-508
X, XE	1/4"	Push-in	134-518
X, XE	6mm	Push-in	134-499
2, 4	6mm	Push-in	134-534
2, 4	1/4"	Push-in	134-502
2, 4	5/16 (8mm)	Push-in	134-501
1, 3, 5	N/A	Plug Assy.	239-1190
X, XE	N/A	Plug Assy.	239-1086
2, 4	N/A	Plug Assy.	239-1085

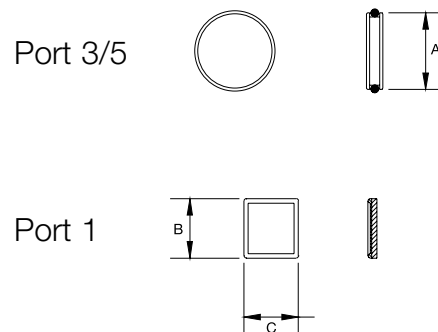
DIN Rail Clamp Kit

239-980



Det. No.	No. Req'd	Part Name	Part No.
1	4	Screw	127-472
2	4	Spring	115-355
3	4	Clamp	125-720

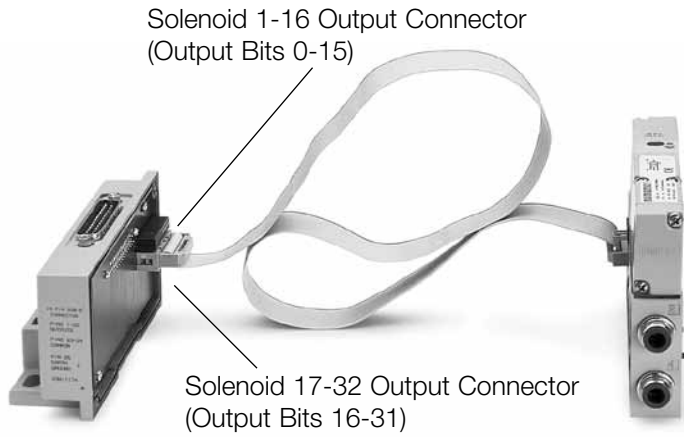
Blocking Discs



Port	Port No.	A	B	C
1	124-341	N/A	0.54 (13.7)	0.50 (12.6)
3/5	239-907	0.70 (17.8)	N/A	N/A

Ribbon Cable Assembly Kit

239-1840



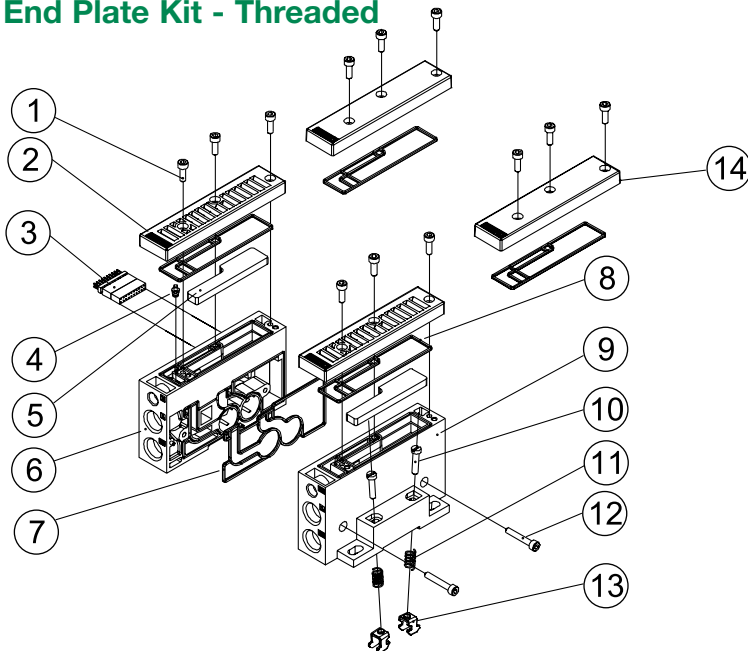
No. Req'd	Part Name	Part No.
1	Ribbon Cable Assembly	230-1053
2	Snap In Latch	140-721

Ribbon cable option used for manifold assemblies that exceed 16 solenoids.



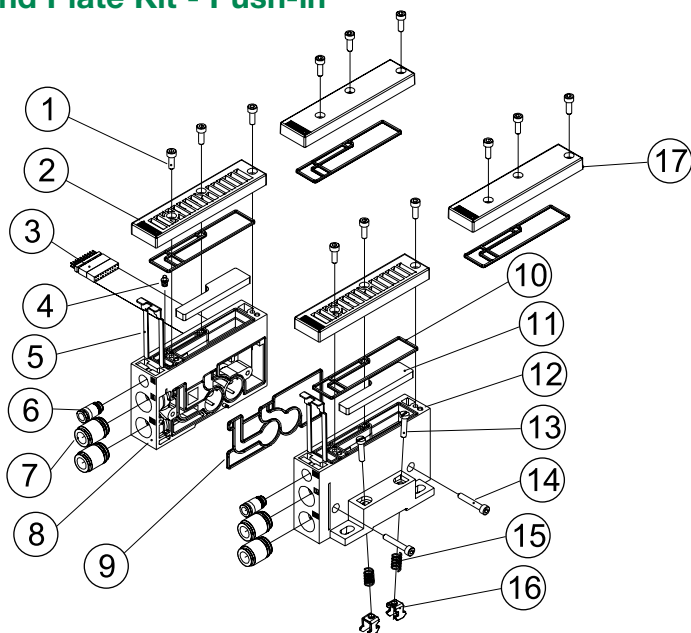
Label on manifold block indicates installed-
"Z-Board"™ type.

End Plate Kit - Threaded



Det. No.	No. Req'd	Part Name	Part No.
1	6	Cover Screw	127-368
2	2	Vented Cover	105-435
3	1	Transfer Conn.	256-698
4	1	Pilot Plug Ass'y	213-497
5	2	Muffler	125-1012
6	1	LH Endplate	104-849
7	1	Gasket	113-571
8	2	Cover Gasket	113-570
9	1	RH Endplate	104-761
10	2	Screw (DIN Rail Only)	127-472
11	2	Spring (DIN Rail Only)	115-355
12	2	Screw	127-400
13	2	Clamp (DIN Rail Only)	125-720
14	2	Cover	105-436

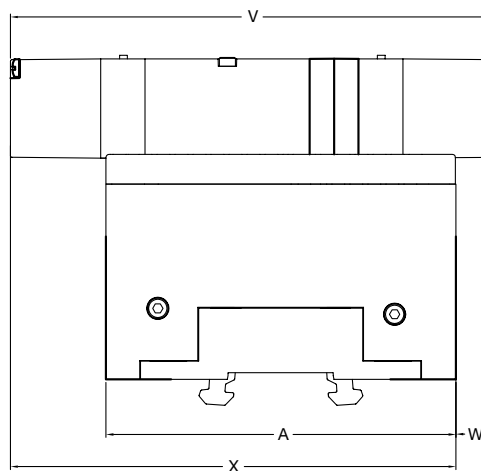
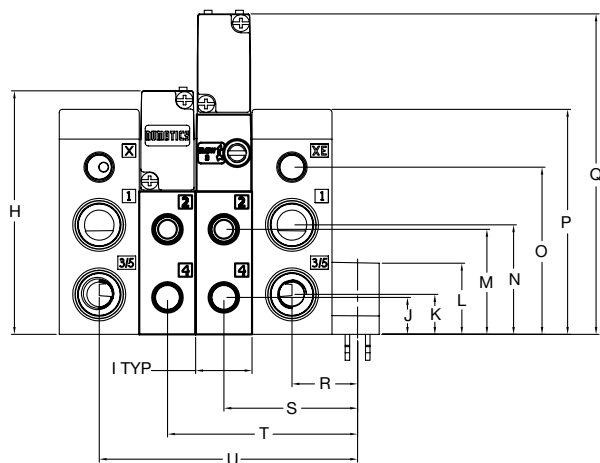
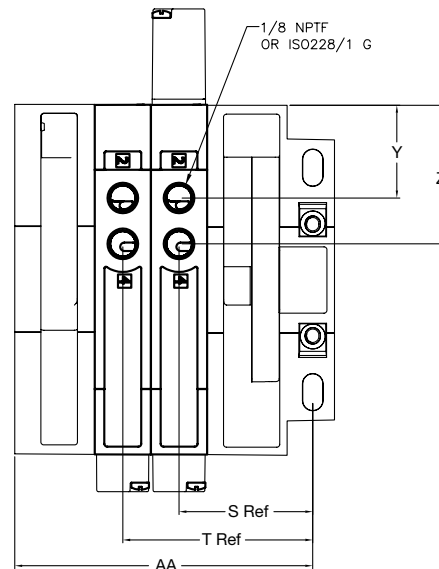
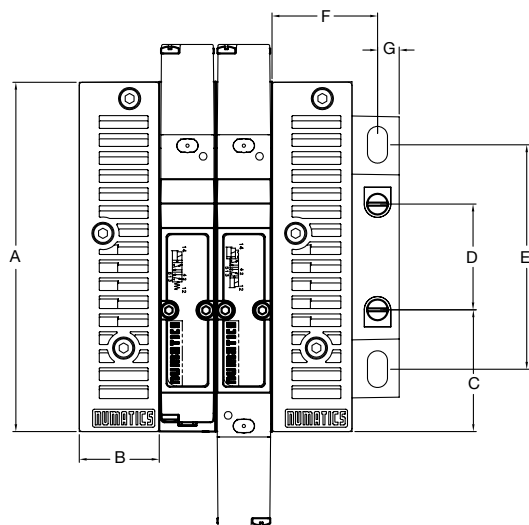
End Plate Kit - Push-in



Det. No.	No. Req'd	Part Name	Part No.
1	6	Cover Screw	127-368
2	2	Vented Cover	105-435
3	1	Transfer Conn.	256-968
4	1	Pilot Plug Ass'y	213-497
5	2	Retaining Clip	125-1014
6	2	Pilot Push-in Fitting	See p. 12
7	4	Supply/Exhaust Push-in Fitting	See p. 12
8	1	LH Endplate	104-851
9	1	Gasket	113-571
10	2	Cover Gasket	113-570
11	2	Muffler	125-1012
12	1	RH Endplate	104-762
13	2	Screw (DIN Rail Only)	127-472
14	2	Screw	127-400
15	2	Spring (DIN Rail Only)	115-355
16	2	Clamp (DIN Rail Only)	125-720
17	2	Cover	105-436

Port Type	NPTF			ISO228/1-G			Push-In			Push-In		
	Port	3/5	X, XE	1	3/5	X, XE	1	3/5	X, XE	1	3/5	X, XE
Port Size	3/8	3/8	1/8	3/8	3/8	1/8	3/8	3/8	1/4	10mm	10mm	6mm
Kit w/o muffler, w/o DIN Rail	242-124			242-128			242-132			242-136		
Kit w/o muffler, w/ DIN Rail	242-123			242-127			242-131			242-135		
Kit w/ muffler, w/o DIN Rail	242-122			242-126			242-130			242-134		
Kit w/ muffler, w/ DIN Rail	242-121			242-125			242-129			242-133		

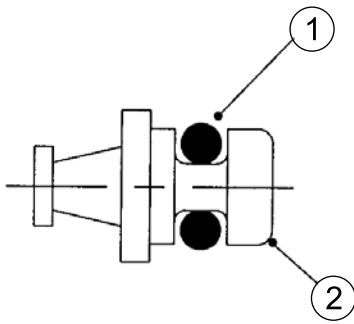
Manifold Assembly – 18 mm



A	B	C	D	E	F	G	H	I	J	K	L	M	N
4.65 (118.2)	1.06 (27.0)	1.57 (40.0)	1.40 (35.7)	2.98 (75.8)	1.34 (34.1)	0.35 (8.8)	3.24 (82.3)	0.75 (19.5)	0.49 (12.5)	0.53 (13.5)	0.96 (24.4)	1.40 (35.5)	1.46 (37.0)
O	P	Q	R	S	T	U	V	W	X	Y	Z	AA	
2.22 (56.5)	2.99 (76.0)	4.26 (108.3)	0.81 (20.6)	1.72 (43.6)	2.47 (62.7)	3.38 (85.8)	6.42 (163.1)	0.50 (12.6)	5.93 (150.5)	1.24 (31.5)	1.85 (47.0)	3.91 (99.2)	

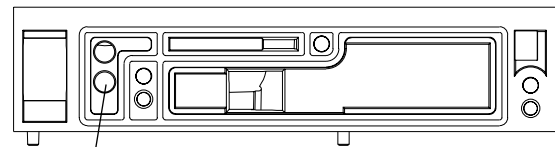
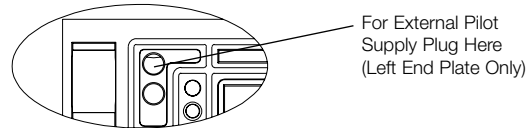
Internal Pilot Plug

213-497



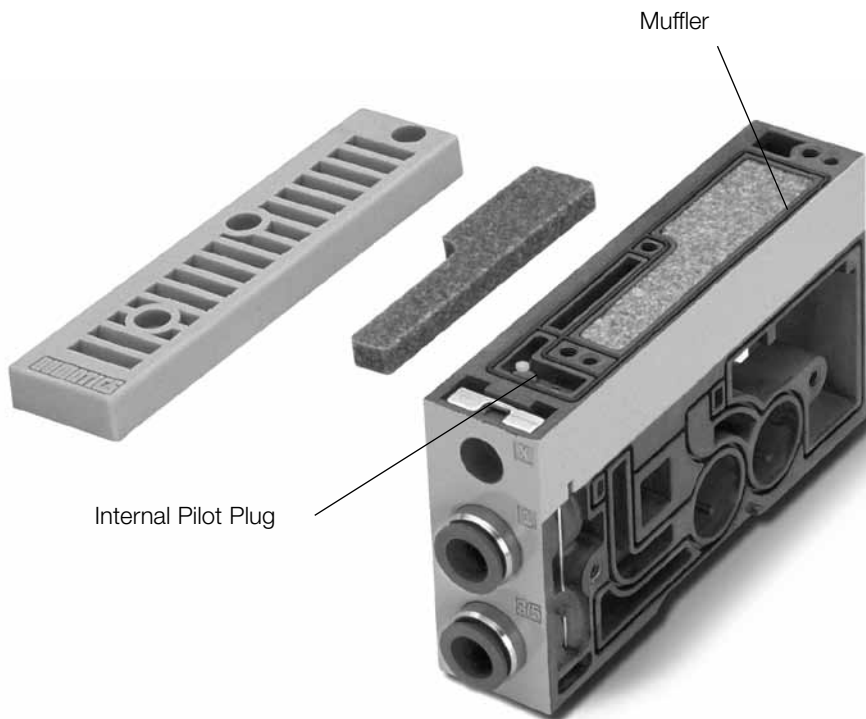
Det. No.	No. Req'd	Part Name	Part No.
1	1	O-Ring	126-412
2	1	Plug	125-820

Internal/External Pilot Selection



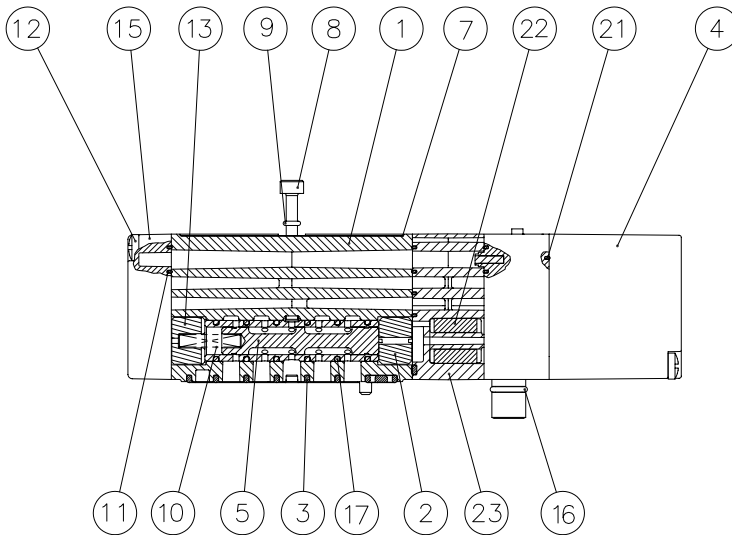
Internal Muffler

125-1012



Valve Service Kits and Parts

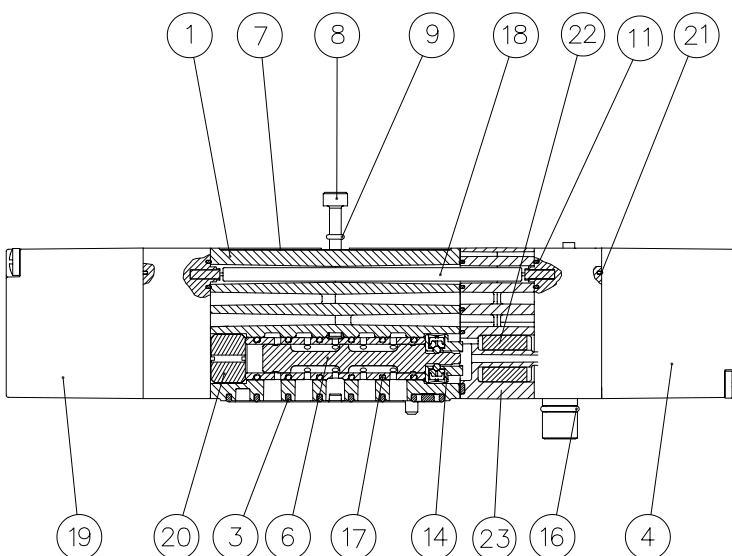
Kit No. I51-K1
(For Models I51BA4, I52BA4)



Det. No.	BA4	BB4	Part Name	Part No.
1	1	1	Body (not sold separately)	
2*	1	N/A	Detent Spacer	116-516
3*	1	1	Gasket Body/Manifold	113-574
4	1	1	Solenoid Pilot - 14 End	See p. 11
5	1	N/A	Spool & Sleeve Assembly	209-512
6	N/A	1	Spool & Sleeve Assembly	209-634
7	1	1	Nameplate	122-1121
8	2	2	Screw	127-1027
9*	2	2	O-Ring	126-345
10*	1	N/A	Spring	115-273
11*	3	3	Gasket Adaptor/Body	113-573
12	2	N/A	Screw	127-650
13*	1	N/A	Spring Retainer	116-517
14*	N/A	1	Detent Assembly	218-157
15	1	N/A	Spring Cover	104-768
16*	1	1	O-Ring	126-144
17*	6	6	O-Ring	126-133
18	N/A	1	14 to 12 Conn.	230-1139
19	N/A	1	Solenoid Pilot - 12 End	See p. 11
20*	N/A	1	Spacer	116-516
21	1	2	Gasket Adapter	113-572
22	1	1	Spacer	116-553
23	1	1	Pilot Adapter Spacer	119-798

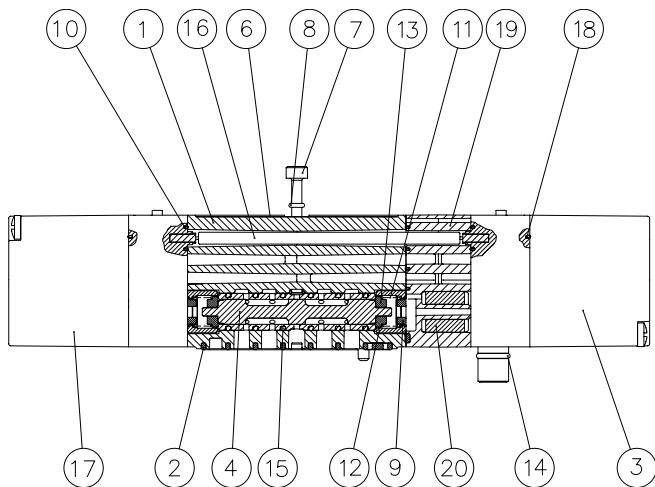
*Indicates parts included in service kit.

Kit No. I51-K2
(For Models I51BB4, I52BB4)



Valve Service Kits and Parts

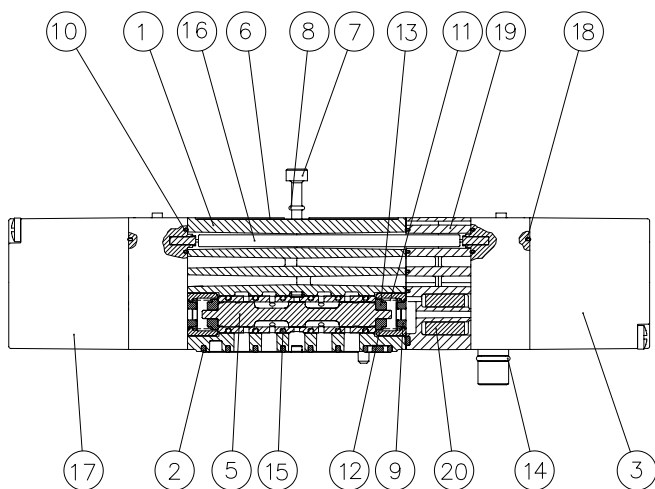
Kit No. I51-K3
(For Models I51BB5, I52BB5)



Det. No.	BB5	BB6	Part Name	Part No.
1*	1	1	Body (not sold separately)	
2	1	1	Gasket Body/Manifold	113-574
3	1	1	Solenoid Pilot – 14 End	See p. 11
4	1	N/A	Spool & Sleeve Assembly	209-514
5	N/A	1	Spool & Sleeve Assembly	209-515
6	1	1	Nameplate	122-1121
7	2	2	Screw	127-1027
8*	2	2	O-Ring	126-345
9*	2	2	Bumper	114-204
10*	3	3	Gasket Adaptor/Body	113-573
11*	2	2	Spring	115-266
12*	2	2	Spacer	116-519
13*	2	2	Spring Retainer	116-386
14*	1	1	O-Ring	126-144
15*	6	6	O-Ring	126-133
16	1	1	14 to 12 Conn.	230-1139
17	1	1	Solenoid Pilot - 12 End	See p. 11
18	2	2	Gasket Adapter	113-572
19	1	1	Pilot Adapter Spacer	119-798
20	1	1	Spacer	116-553

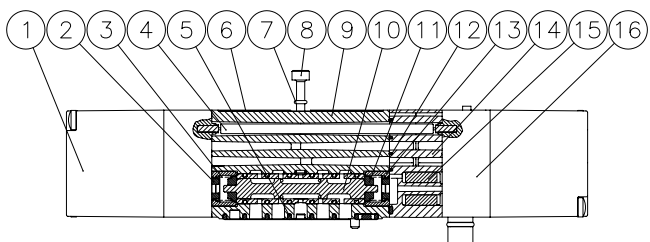
* Indicates parts included in service kit.

Kit No. I51-K3
(For Models I51BB6, I52BB6)



Valve Service Kits and Parts

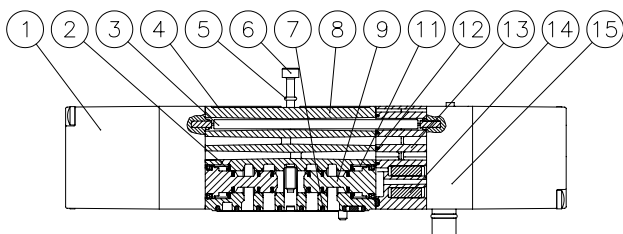
Kit No. I51-K3
(For Models I51BB7, I52BB7)



Det. No.	No. Req'd	Part Name	Part No.
1	1	Solenoid Pilot - 12 End	See p. 11
2*	2	Bumper	114-204
3*	2	Spring	115-266
4	1	14 to 12 Connector	230-1139
5*	1	Gasket Body / Manifold	113-574
6	1	Nameplate	122-1121
7*	2	O-Ring	126-345
8	2	Screw	127-1027
9	1	Body (not sold separately)	
10	1	Spool & Sleeve Assembly	209-516
11	2	Spring Retainer	116-386
12*	1	Gasket	113-573
13*	2	Spacer	116-519
14	1	Pilot Adapter Spacer	119-798
15*	1	Spacer	116-553
16	1	Solenoid Pilot - 14 End	See p. 11

* Indicates parts included in service kit.

Kit No. I51-K4
(For Models I51BBD, I52BBD)



Det. No.	BBD	Part Name	Part No.
1	1	Solenoid Pilot - 12 End	See p. 11
2*	2	Bumper	114-205
3	1	14 to 12 Connector	230-1139
4	1	Nameplate	122-1121
5*	2	O-Ring	126-345
6	2	Screw	127-1027
7*	1	Gasket Body / Manifold	113-574
8	1	Body (not sold separately)	
10	2	Spool Assembly with Seals	221-186
11*	2	Spring	115-395
12*	1	Gasket	113-573
13	1	Pilot Adapter Spacer	119-798
14*	1	Spacer	116-553
15	1	Solenoid Pilot - 14 End	See p. 11

* Indicates parts included in service kit.

How to Order Manifold Assembly

15407-2 18 mm

AK J W J 0000 3 L STD

Electrical/Electronics Type & Location

F = Terminal Strip 1-16
 T = Terminal Strip 1-32
 J = 25 Pin Sub-D
 M = 37 Pin Sub-D
 P = 12 Pin Round Connector
 Q = 19 Pin Round Connector
 R = 26 Pin Round Connector
 S = 26 + 12 Pin Round Connector
 3 = G3 Electronics

Valve Series

W = 15407-2 18 mm

Number of Valve Stations

A = 1	I = 9	Q = 17Y	Y = 25
B = 2	J = 10	R = 18Z	Z = 26
C = 3	K = 11S	S = 19	2 = 27
D = 4	L = 12T	T = 20	3 = 28
E = 5	M = 13U	U = 21	4 = 29
F = 6	N = 14V	V = 22	5 = 30
G = 7	O = 15W	W = 23	6 = 31
H = 8	P = 16X	X = 24	7 = 32

Options

STD = Standard
 DRM = DIN Rail Mounting
 MUF = Muffler in End Plates
 DWM = DIN Rail with MUF
 14X = External Pilot

Port Type

L = Push-in
 N = NPTF
 G = G tap ISO228/1-G

End Plate Port Size 2005

3 = Port type L, N or G
 Port 1 = 3/8 Port 3/5 = 3/8
 K = Port type L only
 Port 1 = 10mm Port 3/5 = 10mm

15407-2 26 mm

A K J X D 0000 3 L STD

Electrical Connection Type & Location

F = Terminal Strip 1-16
 T = Terminal Strip 1-32
 J = 25 Pin Sub-D
 M = 37 Pin Sub-D
 P = 12 Pin Round Connector
 Q = 19 Pin Round Connector
 R = 26 Pin Round Connector
 S = 26 + 12 Pin Round Connector
 3 = G3 Electronics

Valve Series

X = 15407-2 26 mm

Number of Valve Stations*

A = 1	I = 9	Q = 17Y	Y = 25
B = 2	J = 10	R = 18Z	Z = 26
C = 3	K = 11	S = 192	2 = 27
D = 4	L = 12	T = 203	3 = 28
E = 5	M = 13	U = 214	4 = 29
F = 6	N = 14	V = 225	5 = 30
G = 7	O = 15	W = 236	6 = 31
H = 8	P = 16	X = 247	7 = 32

Options

STD = Standard
 DRM = DIN Rail Mounting
 MUF = Muffler in End Plates
 DWM = DIN Rail with MUF
 A06 = End Plate with Ports on Left End only, Mounting Plate only on Right End
 D10 = A06 w/DIN Rail Mounting
 D11 = A06 w/Muffler in End Plates
 F05 = A06 w/DIN Rail with MUF
 14X = External Pilot

Port Type

L = Push-in
 N = NPTF
 G = G Tap

End Plate Port Size

3 = Port type L, N or G
 Port 1 = 3/8 Port 3/5 = 1/2
 2 = Port type L only
 Port 1 = 1/4 Port 3/5 = 3/8
 H = Port type L only
 Port 1 = 8mm Port 3/5 = 12mm
 K = Port type L only
 Port 1 = 10mm Port 3/5 = 14mm

Maximum Solenoid Outputs

Terminal Strip		25 Pin Sub-D	37 Pin Sub-D	26 Pin Round	26 + 12 Pin Round	12 Pin Round	19 Pin Round
AK "F"	AK "T"	AK "J"	AK "M"	AK "R"	AK "S"	AK "P"	AK "Q"
16	32	22	32	22	32	8	16

* NOTE: Maximum number of valve stations

is determined by:

- The electrical connection type.
- The valve type - single solenoid valves up to the maximum solenoid outputs allowed by the electrical connection type (see chart above) or a combination of single and/or double solenoid valves not to exceed the maximum number of solenoid outputs allowed.

Manifold Assembly Example

AKJ or AKM 25 or 37 Pin Sub-D

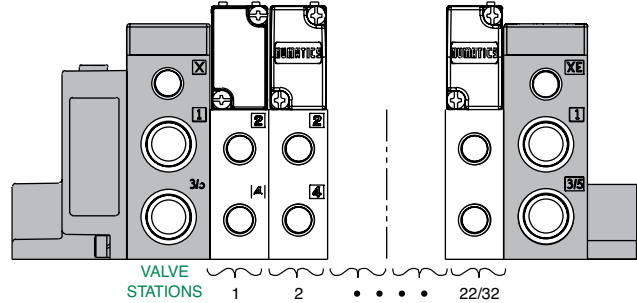
- Shaded components described by Assembly Kit (AK) model number designation.
- Each valve manifold station is listed in sequential order from left to right when facing the port side of the manifold as indicated.

Example order: (18mm)

25 Pin Sub-D	AKJWD00003NSTD
valve station 1	I51BA4Z1MN00061
valve station 2	I51BA4Z1MN00061
valve station 3	I51BB4Z2MN00061
valve station 4	I51BB5Z2MN00061
	ASSEMBLED

Example order: (26mm)

37 Pin Sub-D	AKMXD00003GMUF
valve station 1	I63BA4Z1ML00061
valve station 2	I63BA4Z1ML00061
valve station 3	I63BB5Z2ML00061
valve station 4	I63BB6Z2ML00061
	ASSEMBLED

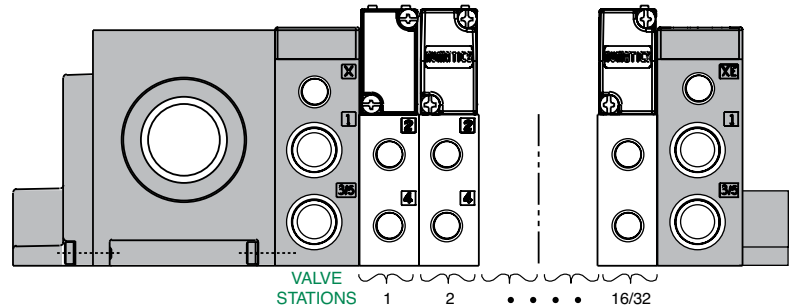


AKF or AKT 1-16 or 1-32 Terminal Strip

- Ordered using the same method as Sub-D:

Example order: (18mm)

valve station 1	AKFWF00003LDRM
valve station 2	I5HBA4Z1ML00061
valve station 3	I5HBA4Z1ML00061
valve station 4	I5HBB4Z2ML00061
valve station 5	I5HBB4Z2ML00061
valve station 6	I5HBB5Z2ML00061
	I5HBB6Z2ML00061
	ASSEMBLED

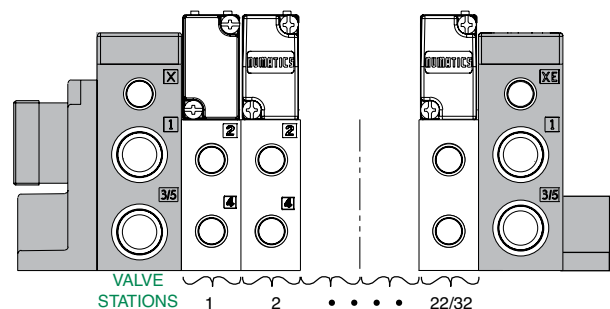


AKP, AKQ, AKR or AKS 12, 19, 26 or 26+12 Pin Round Connector

- Ordered using the same method as Sub-D:

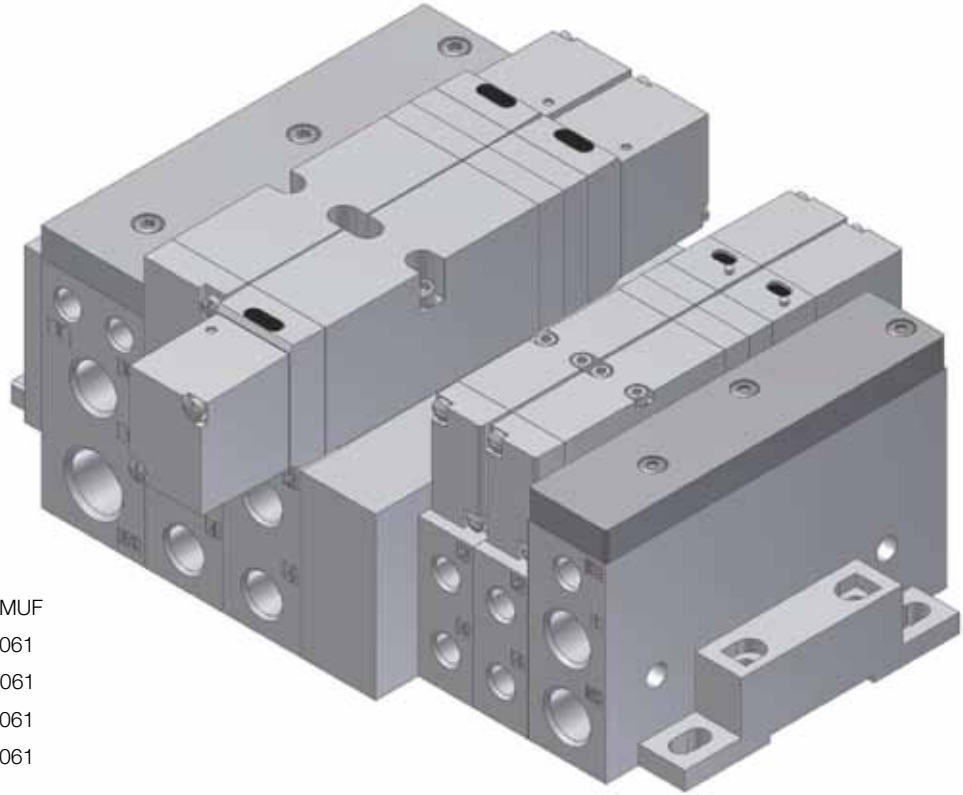
Example order: (26mm)

valve station 1	AKRXH00003LDWM
valve station 2	I63BA4Z1ML00061
valve station 3	I63BA4Z1ML00061
valve station 4	I63BA4Z1ML00061
valve station 5	I63BB4Z6ML00061
valve station 6	I63BB4Z6ML00061
valve station 7	I63BB5Z6ML00061
valve station 8	I63BB5Z6ML00061
	ASSEMBLED



Adaptor Plate Kits **245-156**

This kit includes the adaptor plate, transfer board, gasket, screws, and studs. Individual end plates for the 18mm and 26mm are not included. This adaptor allows the transition from the 26mm to the 18mm series.



Example order

Adaptor Plate Kit AKJXBWB003LMUF
 I62BA4Z1ML00061
 I62BB4Z2ML00061
 I52BA4Z1ML00061
 I52BA4Z1ML00061
 ASSEMBLED

Adaptor Plate Kit with Standard End Plates (“STD” Option)

Description	Part No.
18mm with 3/8 NPTF - 26mm with 3/8 and 1/2 NPTF	244-136
18mm with 3/8 G-Tap - 26mm with 3/8 and 1/2 G-Tap	244-140
18mm with 3/8 Push-in - 26mm with 3/8 and 1/2 Push-in	244-148
18mm with 10 mm Push-in - 26mm with 10 & 14 mm Push-in	244-156

Adaptor Plate Kit with Standard End Plates and Muffler (“MUF” Option)

Description	Part No.
18mm with 3/8 NPTF - 26mm with 3/8 and 1/2 NPTF	244-134
18mm with 3/8 G-Tap - 26mm with 3/8 and 1/2 G-Tap	244-138
18mm with 3/8 Push-in - 26mm with 3/8 and 1/2 Push-in	244-144
18mm with 10 mm Push-in - 26mm with 10 & 14 mm Push-in	244-152

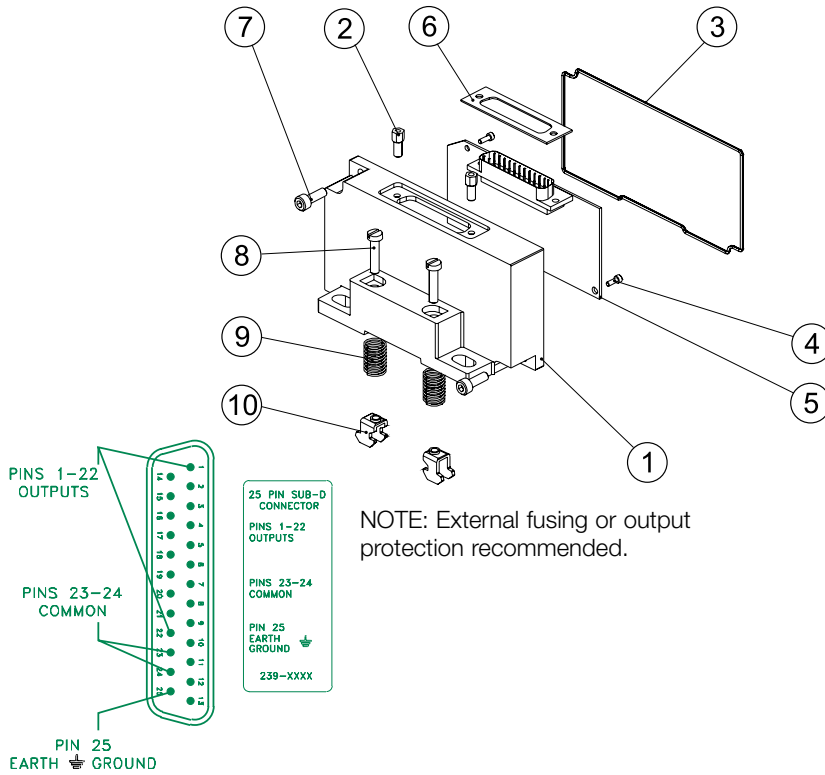
Adaptor Plate Kit with Standard End Plates and DIN Rail Mount (“DRM” Option)

Description	Part No.
18mm with 3/8 NPTF - 26mm with 3/8 and 1/2 NPTF	244-135
18mm with 3/8 G-Tap - 26mm with 3/8 and 1/2 G-Tap	244-139
18mm with 3/8 Push-in - 26mm with 3/8 and 1/2 Push-in	244-146
18mm with 10 mm Push-in - 26mm with 10 & 14 mm Push-in	244-154

Adaptor Plate Kit with Standard End Plates, Muffler and DIN Rail Mount (“DWM” Option)

Description	Part No.
18mm with 3/8 NPTF - 26mm with 3/8 and 1/2 NPTF	244-133
18mm with 3/8 G-Tap - 26mm with 3/8 and 1/2 G-Tap	244-137
18mm with 3/8 Push-in - 26mm with 3/8 and 1/2 Push-in	244-142
18mm with 10 mm Push-in - 26mm with 10 & 14 mm Push-in	244-150

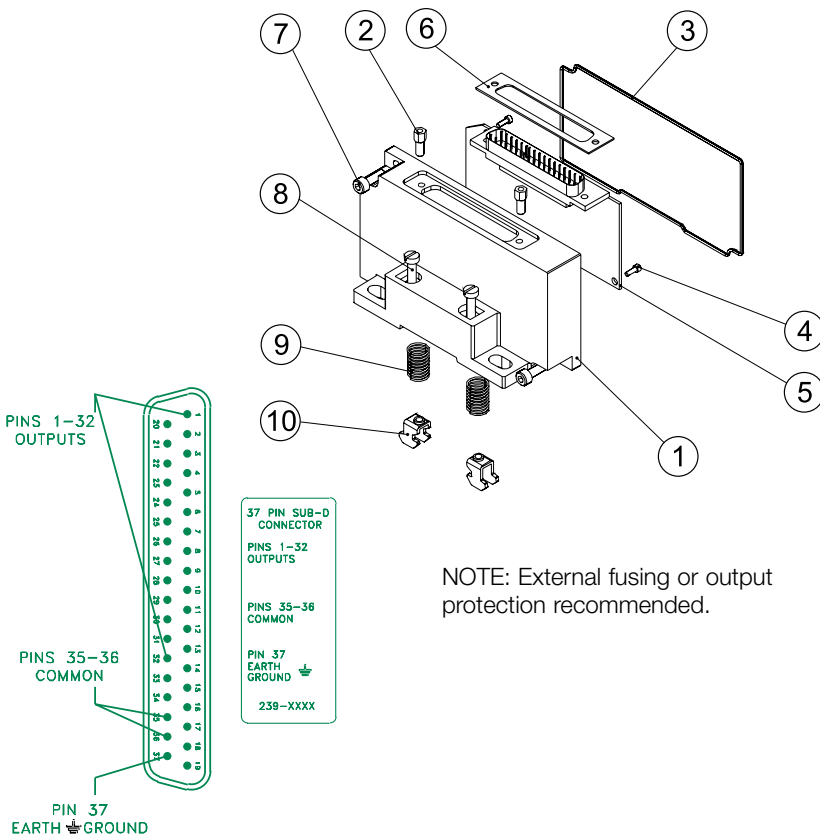
25 Pin Sub-D Connector Kit



25 PIN Sub-D Housing Kits	Part No.
Without DIN Rail	239-1174
With DIN Rail	239-1175

Det. No.	No. Req'd	Part Name	Part No.
1	1	Housing	105-401
2	2	Hex Screw	127-825
3	1	Gasket	113-531
4	2	Screw	127-318
5	1	PCB Ass'y	256-607
6	1	Gasket	113-507
7	2	Screw Ass'y	127-396
8	2	Screw (DIN Rail Only)	127-472
9	2	Spring (DIN Rail Only)	115-355
10	2	Clamp (DIN Rail Only)	125-720

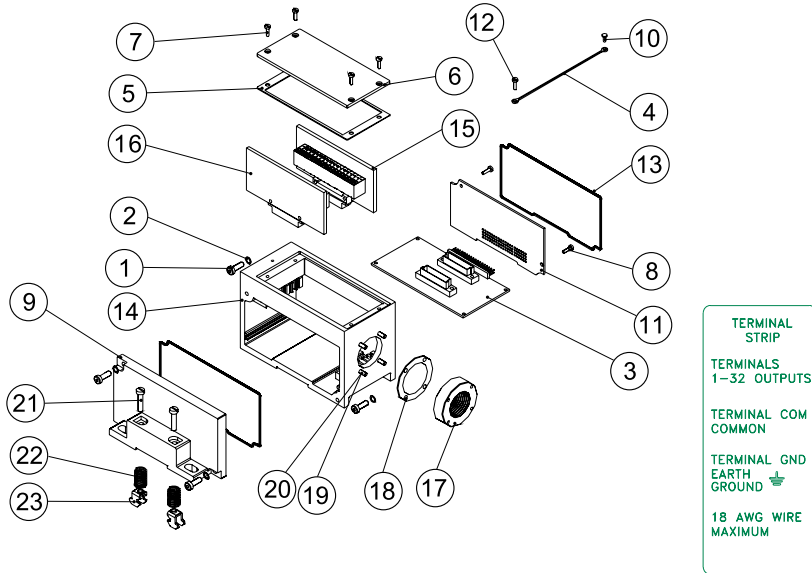
37 Pin Sub-D Connector Kit



37 PIN Sub-D Housing Kits	Part No.
Without DIN Rail	239-1180
With DIN Rail	239-1181

Det. No.	No. Req'd	Part Name	Part No.
1	1	Housing	105-402
2	2	Hex Screw	127-825
3	1	Gasket	113-531
4	2	Screw	127-318
5	1	PCB Ass'y	256-608
6	1	Gasket	113-530
7	2	Screw Ass'y	127-396
8	2	Screw (DIN Rail Only)	127-472
9	2	Spring (DIN Rail Only)	115-355
10	2	Clamp (DIN Rail Only)	125-720

1-16 & 1-32 Terminal Strip Kit

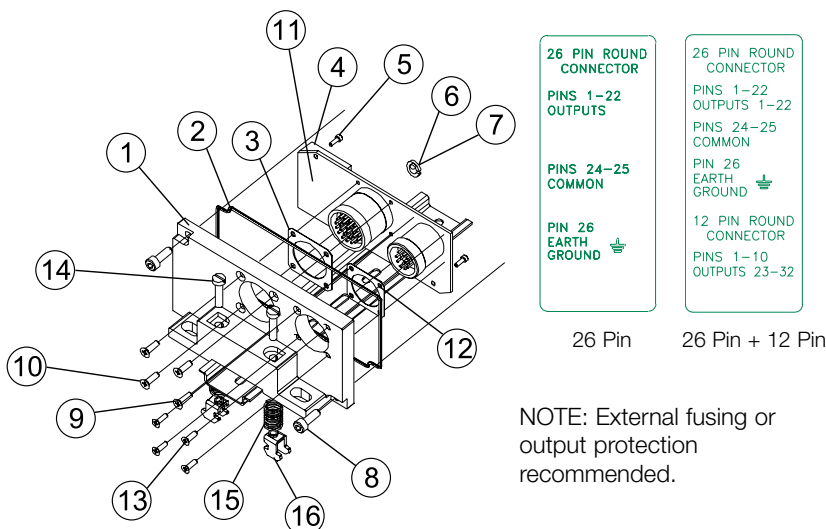


NOTE: External fusing or output protection recommended.
 NOTE: Min. Wire AWG 26
 Max. Wire AWG 18

Terminal Strip Housing Kits	Part No.
Without DIN Rail, 1-16 Sol.	239-1229
With DIN Rail, 1-16 Sol.	239-1230
Without DIN Rail, 1-32 Sol.	239-1231
With DIN Rail, 1-32 Sol.	239-1232

Det. No.	No. Req'd	Part Name	Part No.
1	4	Screw	127-697
2	4	Lockwasher	128-188
3	1	Backplane board	256-618
4	1	Cover Strap	125-772
5	1	Gasket	113-533
6	1	Cover	105-405
7	4	Screw	127-852
8	1	Screw	127-318
9	1	DIN Rail Cover PT	105-403
10	1	Screw	127-180
11	1	Converter BRD	256-645
12	2	Screw	127-794
13	2	Gasket	113-531
14	1	Housing	125-844
15	1	Terminal Strip (1-16)	256-617
16	1	Terminal Strip (17-32)	256-619
17	1	Adaptor	119-659
18	1	Gasket	113-542
19	4	Screw	127-879
20	4	Lockwasher	128-192
21	2	Screw (DIN Rail Only)	127-472
22	2	Spring (DIN Rail Only)	115-355
23	2	Clamp (DIN Rail Only)	125-720

26 Pin & 26 + 12 Pin Round Connector Kit



NOTE: External fusing or output protection recommended.

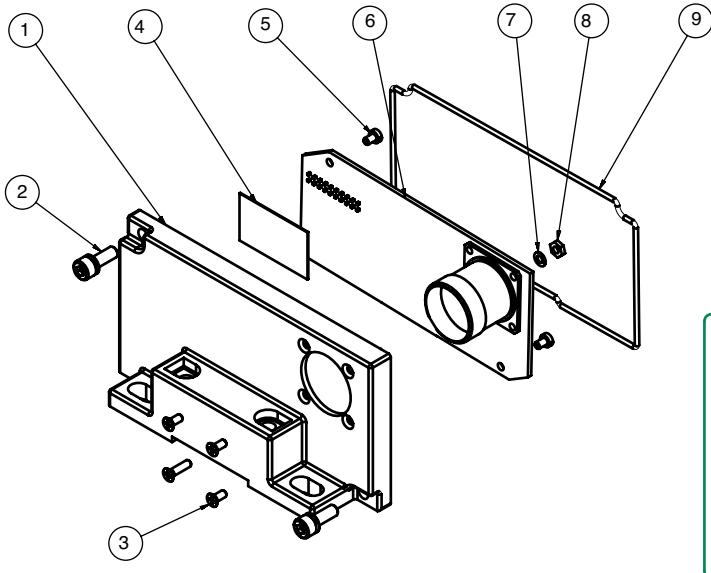
26 PIN Round Kit	Part No.
Without DIN	239-1184
With DIN	239-1185

26 + 12 PIN Round Kits	Part No.
Without DIN	239-1376
With DIN	239-1377

Det. No.	No. Req'd	Part Name	Part No.
1	1	Cover (26 Pin Only)	105-408
1	1	Cover (26 + 12 Pin Only)	105-421
2	1	Gasket	113-531
3	1	Gasket	113-353
4	1	26 PCB Ass'y	256-624
4	1	26 + 12 PCB Ass'y	256-688
5	2	Screw	127-875
6	1	Lockwasher	128-294
7	1	Hex Nut	128-293
8	2	Screw Ass'y	127-396
9	3	Screw	127-810
10	1	Screw	127-770
11	1	Shield (26 + 12 Pin Only)	140-759
12	1	Gasket (26 + 12 Pin Only)	113-354
13	4	Screw (26 + 12 Pin Only)	127-811
14	2	Screw (DIN Rail Only)	127-742
15	2	Spring (DIN Rail Only)	115-355
16	2	Clamp (DIN Rail Only)	125-720

12 Pin Round Connector Kit

239-2115



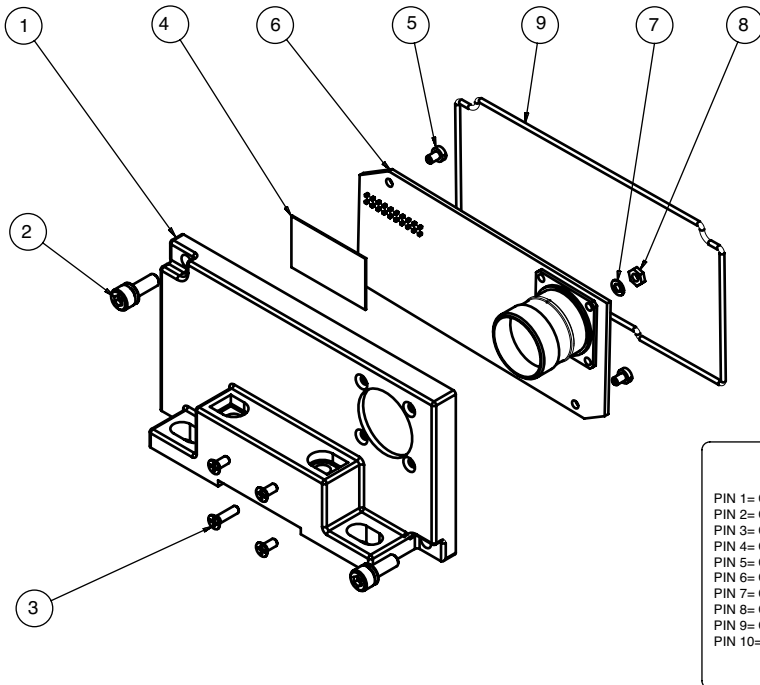
Parts List

Det. No.	No. Req'd	Part Name	Part No.
1	1	Cover	105-451
2	2	Screw	127-391
3	4	Screw	127-982
4	1	Shield	140-759
5	2	Screw	127-875
6	1	PC Board	256-856
7	4	Lockwasher	128-352
8	4	Nut	128-288
9	1	Gasket	113-531

NOTE: External fusing or output protection recommended.

19 Pin Round Connector Kit

239-2307



Parts List

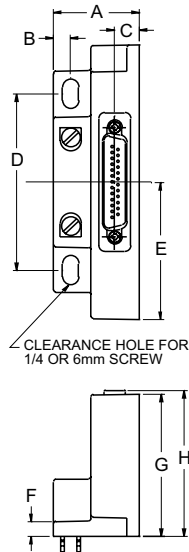
Det. No.	No. Req'd	Part Name	Part No.
1	1	Cover	105-451
2	2	Screw	127-391
3	4	Screw	127-982
4	1	Shield	140-759
5	2	Screw	127-875
6	1	PC Board	256-905
7	4	Lockwasher	128-352
8	4	Nut	128-288
9	1	Gasket	113-531

NOTE: External fusing or output protection recommended.

Dimensions: Inches (mm)

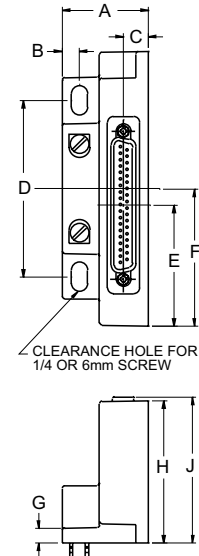
Electrical Interface

25 Pin Sub-D



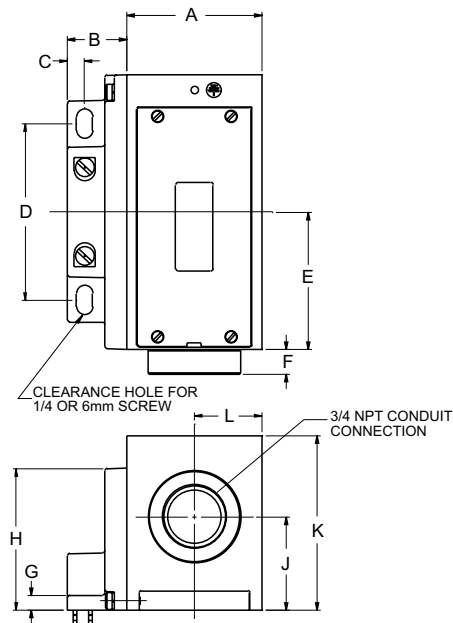
A	B	C	D	E	F	G	H
1.45 (36.8)	0.29 (7.4)	0.42 (10.7)	2.98 (75.7)	2.32 (58.9)	0.25 (6.3)	2.40 (61.0)	2.47 (62.7)

37 Pin Sub-D



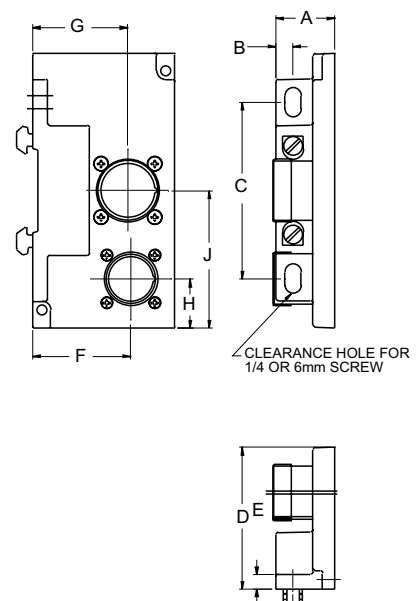
A	B	C	D	E	F	G	H	J
1.45 (36.8)	0.29 (7.4)	0.42 (10.7)	2.98 (75.7)	2.04 (51.8)	2.32 (58.9)	0.25 (6.3)	2.40 (61.0)	2.47 (62.7)

Terminal Strip 1-16 & 1-32



A	B	C	D	E	F	G	H	J	K	L
2.28 (57.9)	1.00 (25.4)	0.29 (7.4)	2.98 (75.7)	2.32 (58.9)	0.43 (10.9)	0.25 (6.3)	2.40 (61.0)	1.58 (40.1)	2.95 (74.9)	1.14 (29.0)

12, 19, 26 & 26 + 12 Pin Round Connector



A	B	C	D	E	F	G	H	J
1.00 (25.4)	0.29 (7.4)	2.98 (75.7)	2.40 (61.0)	0.25 (6.3)	1.66 (42.2)	1.61 (40.9)	0.82 (20.8)	2.32 (58.9)



World Class Supplier of Pneumatic Components



World Headquarters

USA Numatics, Incorporated

46280 Dylan Drive
Novi, Michigan 48377

P: 248-596-3200
F: 248-596-3201

Canada Numatics, Ltd

P: 519-758-2700
F: 519-758-5540

México - Ascomatica SA de CV

P: 52 55 58 09 56 40 (DF y Area metropolitana)
P: 01 800 000 ASCO (2726) (Interior de la República)
F: 52 55 58 09 56 60

Brazil Ascoval Ind.e Comercio Ltda

P: (55) 11-4208-1700
F: (55) 11-4195-3970