

NUMATICS®

2009 Series

Solenoid Pilot Actuated Valves



www.numatics.com

2009 Series

Technical & Operating Data	3
How To Order	4-5
Valve with Base	6
Flexiblok® Assembly	7
Sandwich Pressure Regulators	8
Sandwich Pressure Regulator	9
Valve Regulator / Speed Control Plug-in Assembly	10
End Plate Assembly Kit	11
Blank Station Plate Kit	11
Blocking Disc Kit	11
Speed Control Kit with Plug	11
Adaptor Kits with End Plates	12
Terminal Block Kit	12
Solenoid Pilot Assemblies	12
Base Assembly Kit	13
Flexiblok Manifold Kit	13
Service Kits and Parts - 2 Position	14

5-ported, 4-way, 2 and 3 position, Spool & Sleeve

Cv: 0.9

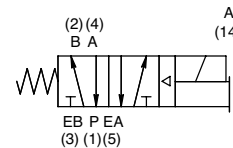
- Solenoid pilot actuated
- Lightweight magnesium alloy valve body
- Plug-in solenoid with indicator light
- Multi-purpose
- 1/8 and 1/4 NPTF or G Tap ports
- For unlubricated or lubricated service
- Integral plug-in and regulators available
- Integral plug-in speed control with adjustments on the same end.
- Plug-in manifold with terminal block for ease of wiring
- Optional push-in tubing connections on sub-bases and manifolds.
- Designed to meet the requirements of NEMA 4 / IP65



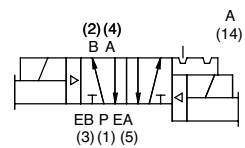
Technical Data

Valve Data	NPTF	G Tap
Cv	0.9	0.9
Flow Capacity	41 SCFM	887 NI/m
	@ 80 PSIG upstream pressure to atmosphere	@ 80 PSIG upstream pressure to atmosphere
Main Valve Operating Pressure Range	28"Hg Vacuum to 150 PSIG	Vacuum to 10 bar
Pilot Pressure Range	14.5 to 120 PSIG	1 to 8.23 Bar
Temperature Range (Ambient)	-10°F to + 115°F	-23°C to +46° C

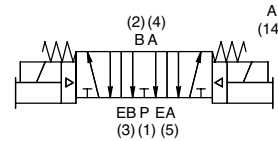
single solenoid air pilot
2 position 4-way



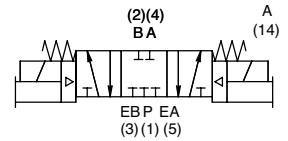
double solenoid air pilot
2 position 4-way



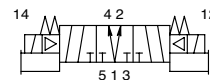
double solenoid air pilot
3 position 4-way
open center



double solenoid air pilot
3 position 4-way
closed center



double solenoid pilot
3 Position 4-Way (5/3),
open to 4 (A) and
2 (B) in center

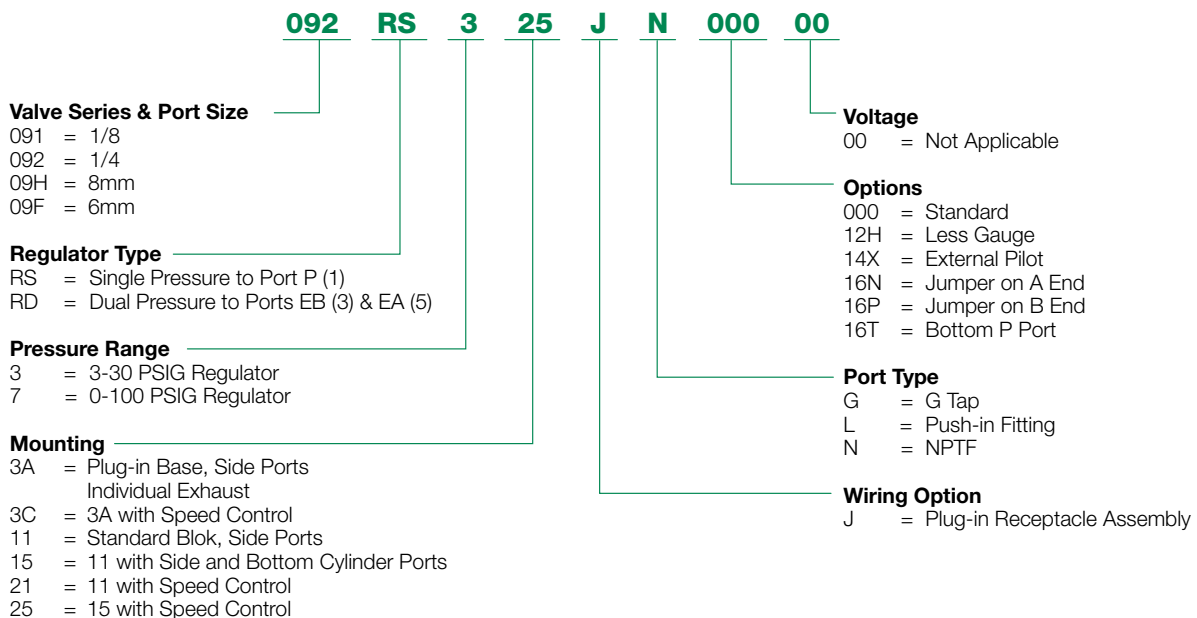
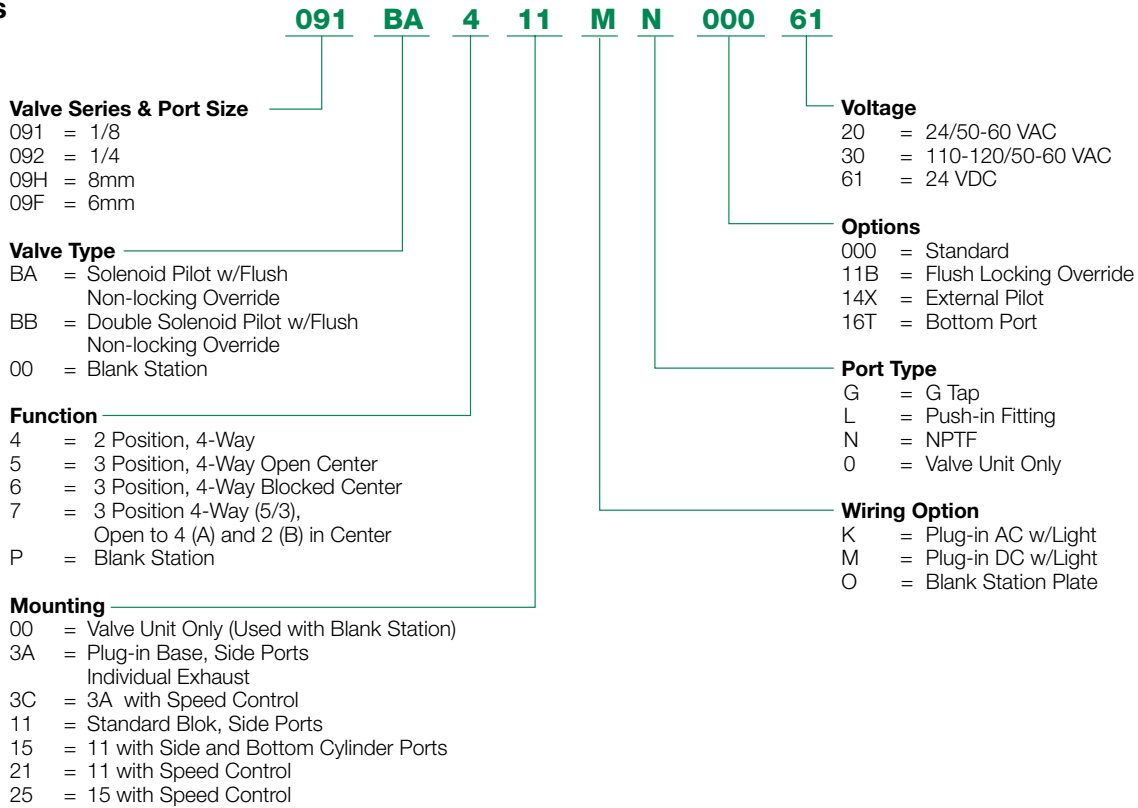


Operating Data

All Solenoids Are Continuous Duty Rated	24 VDC		110 VAC/50 Hz. to 120 VAC/60Hz	
	Energize	De-Energize	Energize	De-Energize
Power (Watts)	2.5 W		4.2 W	
Holding Current (Amps.)	0.10 amps		0.03 amps	
Response Time in Seconds	Energize	De-Energize	Energize	De-Energize
2-Position, Single, Spring Return	0.010	0.024	0.010	0.024
2-Position, Double, Detented	0.010	N/A	0.010	N/A
3-Position, Spring Centered	0.011	0.031	0.010	0.031

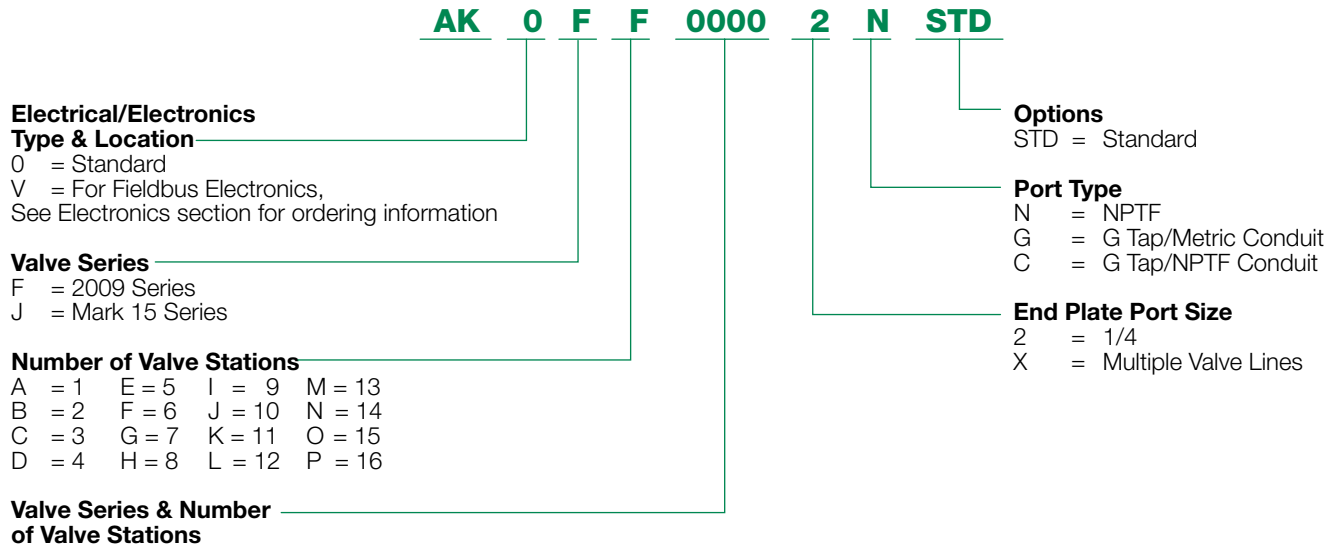
How to Order

Valves



How to Order

Manifold Assembly



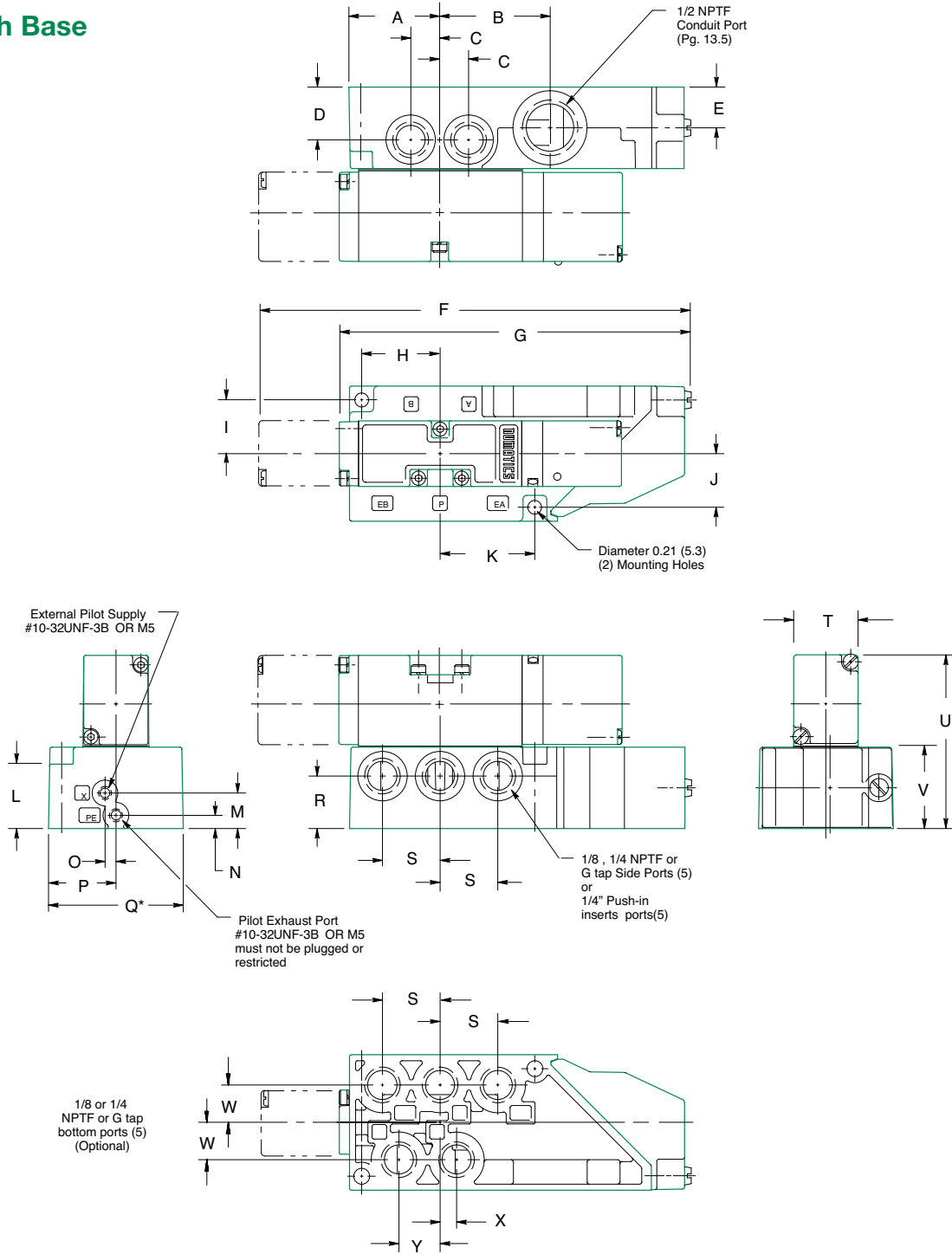
Example order

List in order, left to right, facing cylinder ports

Assembly kit	AKOFF00002NSTD
Station 1	091BA415KN00030
Station 2	092BA425KN00030
Station 3	092BS415KN00030
Station 4	092BS415KN00030
Station 5	091BA400KO00030
	092RS115JN00000
Station 6	091BA415KN00030
	Assembled

Dimensions: Inches (mm)

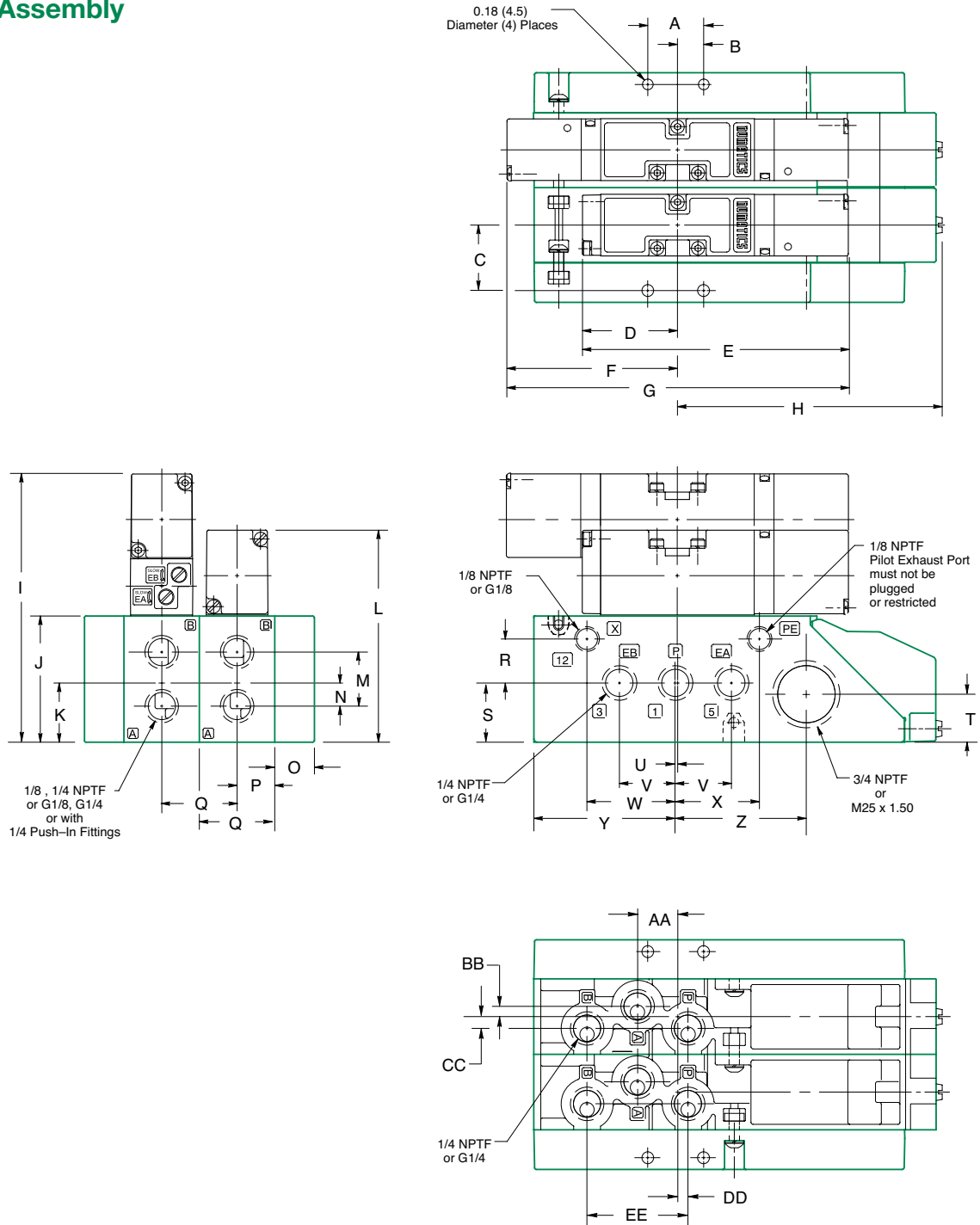
Valve with Base



A	B	C	D	E	F	G	H	I	J	K	L	M
1.37 (35.0)	1.67 (42.4)	0.44 (11.0)	0.80 (20.2)	0.62 (16.0)	6.53 (166.0)	5.35 (136.0)	1.19 (30.0)	0.81 (20.6)	0.81 (11.2)	1.44 (36.5)	0.97 (24.6)	0.54 (14.0)
N	O	P	Q	R	S	T	U	V	W	X	Y	
0.20 (5.2)	0.17 (4.2)	1.02 (26.0)	2.05 (52.0)	0.80 (20.0)	0.88 (22.0)	1.00 (25.4)	2.63 (67.0)	1.25 (32.0)	0.57 (14.4)	0.25 (6.4)	0.63 (16.0)	

Dimensions: Inches (mm)

Flexiblok® Assembly



A	B	C	D	E	F	G	H	I	J	K	L	M	N	O	P
0.91 (23.0)	0.42 (11.0)	1.06 (27.0)	1.54 (39.0)	4.31 (109.0)	2.77 (70.0)	5.49 (139.0)	4.28 (109.0)	4.38 (110.0)	2.05 (52.0)	0.96 (24.4)	3.44 (87.0)	0.88 (22.2)	0.38 (9.5)	0.64 (16.3)	0.61 (16.0)

Q	R	S	T	U	V	W	X	Y	Z	AA	BB	CC	DD	EE
1.22 (31.0)	0.71 (18.0)	0.96 (24.4)	0.78 (20.0)	0.03 (0.76)	0.91 (23.0)	1.43 (36.0)	1.36 (34.5)	2.32 (59.0)	2.12 (54.0)	0.65 (16.4)	0.17 (4.2)	0.19 (4.8)	0.17 (4.2)	1.46 (37.2)

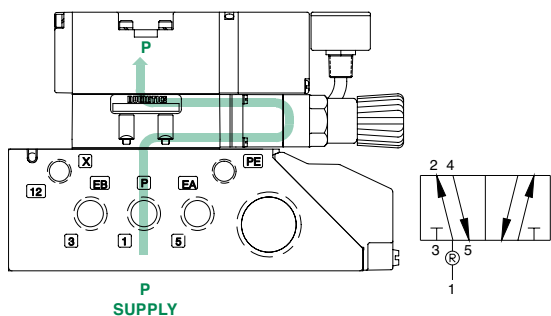
Sandwich Pressure Regulators

Types: RS / RD

When ordering a valve plus regulator mounted on a base or manifold, list the valve unit-only model number and include the mounting requirements within the regulator model selection. Specify "Assembled."

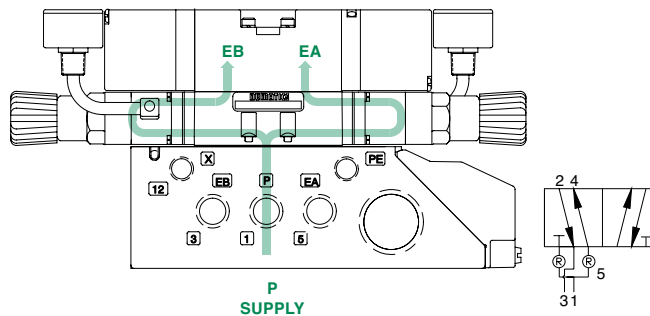
Example orders:	TYPE RS	TYPE RD
Valve unit only:	091BA400K000030	091BA400K000030
Regulator	091RS73AJL00000	092RD711JL00000
+ mounting	ASSEMBLED	ASSEMBLED

Type RS



Single pressure from a single supply.

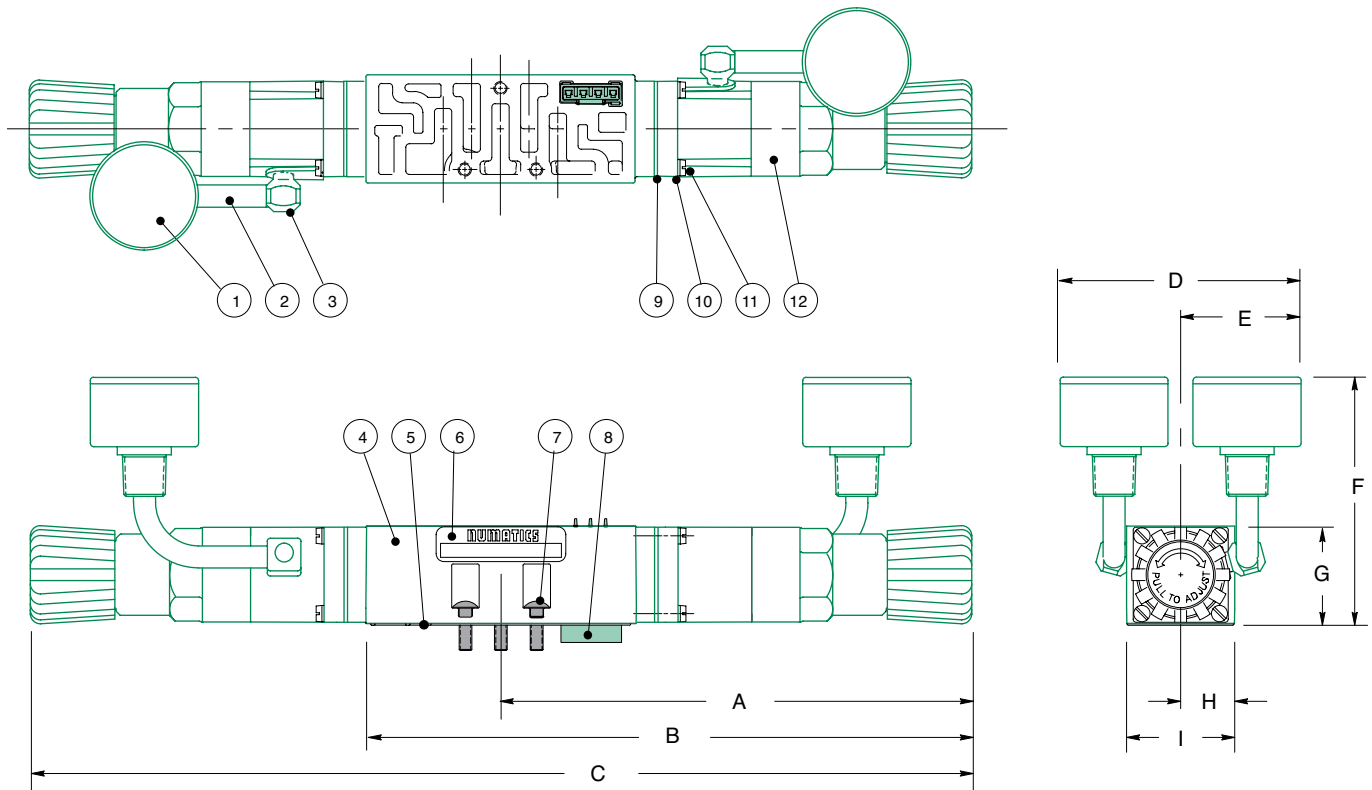
Type RD



Dual pressure from a single supply.

Dimensions: Inches (mm)

Sandwich Pressure Regulator



A	B	C	D	E	F	G	H	I
4.38 (111.2)	5.80 (147.3)	8.76 (222.5)	2.14 (54.4)	1.07 (27.2)	2.28 (57.9)	0.90 (22.9)	0.50 (12.7)	1.00 (25.4)

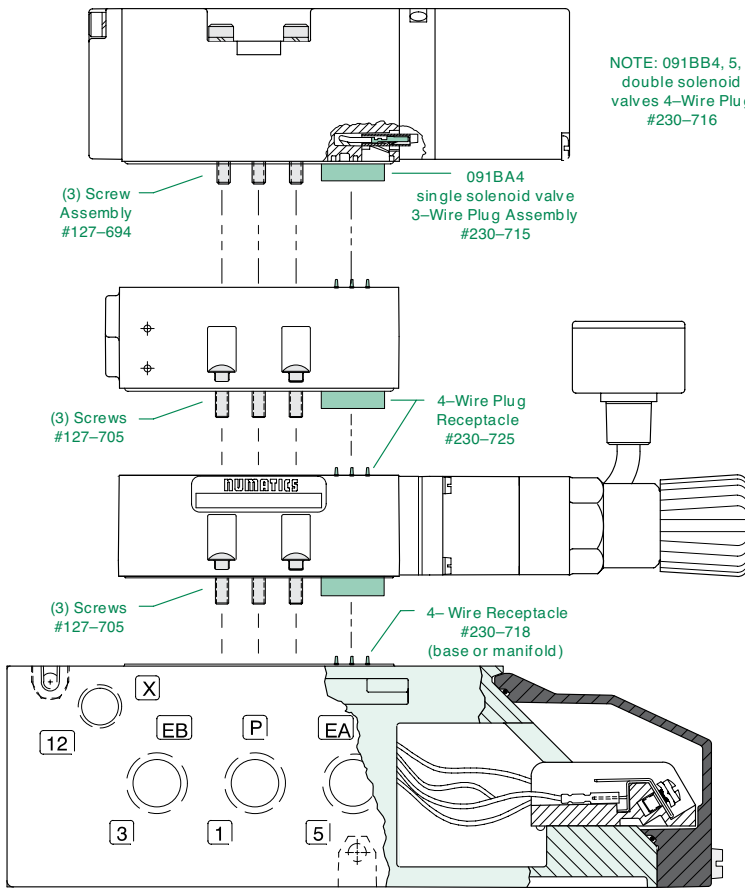
Parts List

Det. No.	No. Req'd	Part Name	Part No.
1	2*	Gauge 0-150 PSIG	214-209
		Gauge 0-60 PSIG	214-216
2	2*	Tube Fitting	134-469
3	2*	Fitting	134-472
4	1	Regulator Block:	RS 125-615 RD 125-616
5	1	Gasket body/base	113-464
6	1	Nameplate	122-991
7	3	Screw	127-705
8	1	Plug Receptacle	230-725
9	1	Gasket (to regulator block)	113-472
10	8**	Lockwasher	128-172
11	8**	Screw	127-380
12	2*	Regulator Assembly (not sold separately)	

* (1) required for RS

** (4) required for RS

Valve Regulator / Speed Control Plug-in Assembly



EXAMPLE

091BA400K000030

2009 single solenoid valve unit with plug-in assembly

092RS721JL00000

Single pressure regulator Type RS + speed control sandwich mounted on a 1/4 NPTF FlexiBlok manifold with side ports and push-in fittings.

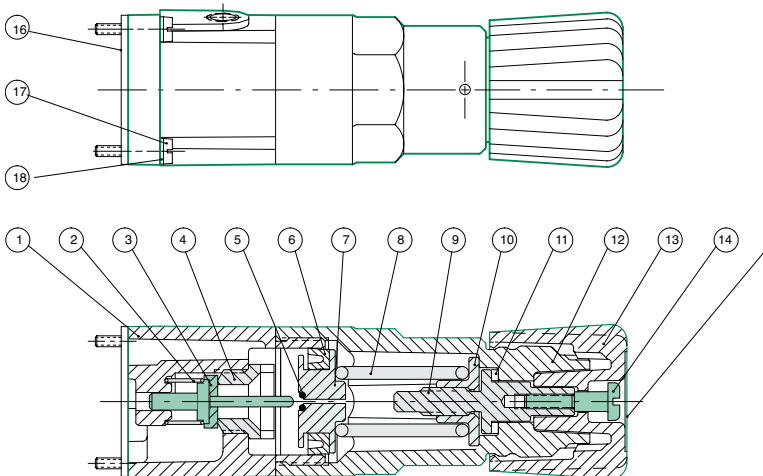
Example Order

Valve: 091BA400K000030
Regulator: 092RS721JL00000
ASSEMBLED

Regulator Kits & Service Parts

Regulator Service Kit 239-708

Jumper Plate Kit 239-764



Parts List

Det. No.	No. Req'd	Part Name	Part No.
1	1	Regulator Body	101-706
2	1*	Spring	115-226
3	1*	Poppet Assembly	221-168
4	1	Poppet Seat	124-148
5	1*	O-Ring	126-336
6	1*	Seal U-Packing	124-383
7	1	Piston	125-618
8	1	Spring 0-30 PSIG 0-100 PSIG	115-352 115-342
9	1	Metering Screw	118-187
10	1	Spring Guide	112-369
11	1*	Bearing	125-617
12	1	Bonnet	125-623
13	1	Knob	125-624
14	1*	Screw	127-706
15	1	Label	122-992
16	1*	Gasket	113-472
17	4	Screw	127-380
18	4	Lockwasher	128-172

* (2) Required for RD
** (8) Required for RD

Adaptor Kits with End Plates

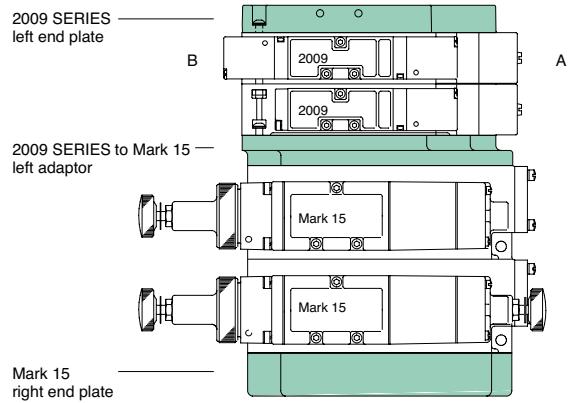
2009 Series LEFT* of Mark 15 (NPTF) 239-766

Includes kit #239-791 (2009 left adaptor, screws, seals)
+ 2009 left end plate & Mark 15 right end plate

2009 Series RIGHT* of Mark 15 (NPTF) 239-767

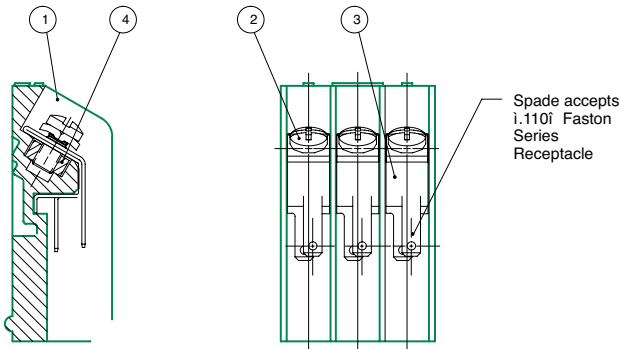
Includes kit #239-792 (2009 right adaptor, screws, seals)
+ 2009 right end plate & Mark 15 left end plate

*Left/right when view from the cylinder ports of assembly.



Terminal Block Assembly

230-719

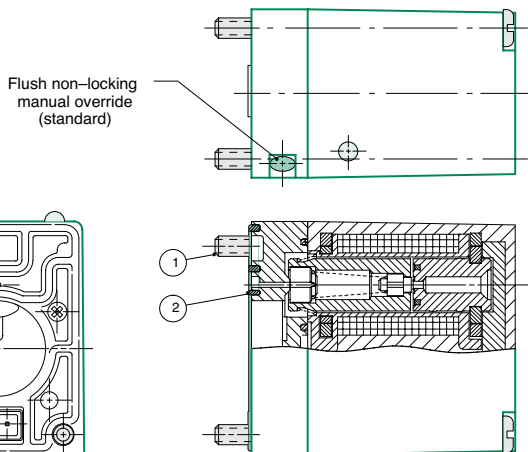


Parts List

Det. No.	No. Req'd	Part Name	Part No.
1	1	Terminal Block	140-580
2	3	Screw	127-689
3	3	Terminal Clip	140-556
4	3	Nut	128-281

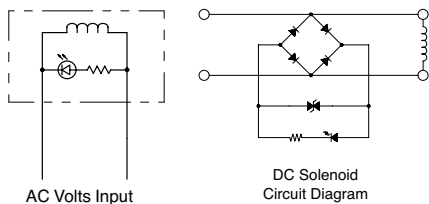
Solenoid Pilot Assemblies

Parts List



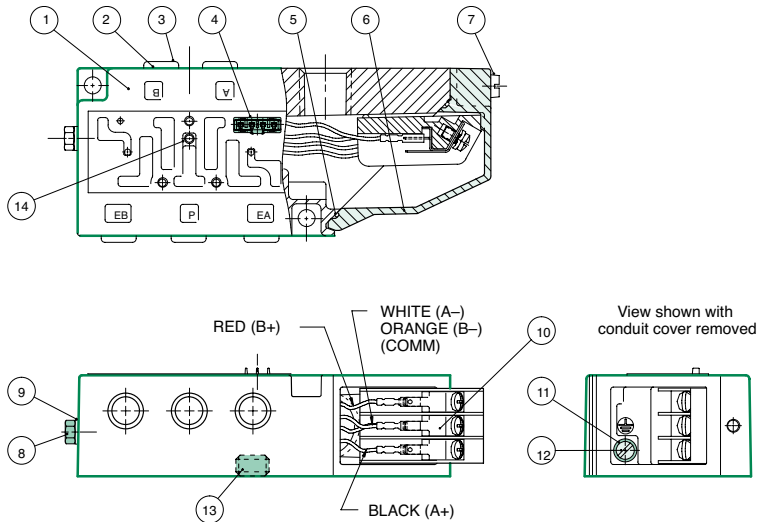
Det. No.	No. Req'd	Part Name	Part No.
1	1	Screw	127-774
2	3	Gasket	113-465

Override Description	120/60 VAC	24 VDC
Flush non-locking override with light (standard)	237-881	236-468
Flush locking override with light (add option "011B" to valve number)	237-880	236-230



Solenoid Wiring

Base Assembly Kit



Parts List

Det. No.	No. Req'd	Part Name	NPTF Part No.	G Tap Part No.
1	1	Base (not sold separately)		
2	5**	Tube Cartridge	134-458	134-458
3	3**	Manual Release Button	123-179	123-179
4	1	Plug-in Receptacle	230-718	230-718
5	1	Gasket	113-463	113-463
6	1	Conduit Cover	105-339	105-339
7	1	Screw	127-692	127-692
8	1	Plug	129-127	127-362
9	1	Gasket	-	113-311
10	1	Terminal Block Assembly	230-719	230-719
11	1	Cup Washer	128-162	128-162
12	1	Screw	127-176	127-176
13	5~	Pipe Plug:	1/8 129-100 1/4 129-101	129-160 129-161
14	1	Plug (M3)	127-693	127-693

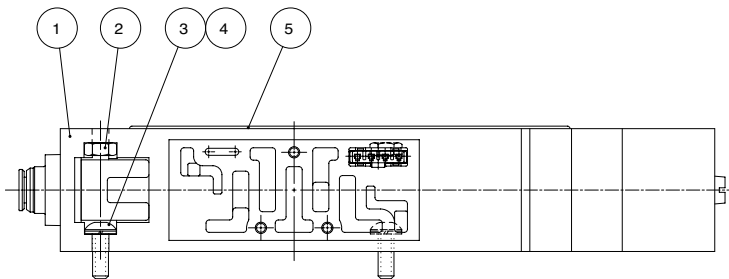
* Details 8 & 9 omitted on external pilot option.

** 1/4 push-in ports (5)-Base kits #203-852 and 203-866 only.

~ Used on bases with side and bottom ports, individual exhaust only. Used only with external pilot supply option.

Base Description	1/8 NPTF	1/4 NPTF	G 1/8	G 1/4	1/4 Push-In
3A & 3C Bases: side ports only, individual exhaust	203-854	203-853	203-856	203-855	203-852
3B & 3D Bases: side & bottom ports, individual exhaust	203-858	203-857	203-860	203-859	N/A
3A + external pilot option	203-868	203-867	203-870	203-869	203-866
3B + external pilot option	203-872	203-871	203-874	203-873	N/A

Flexiblok Manifold Kit



Parts List

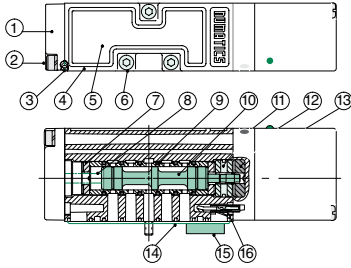
Det. No.	No. Req'd	Part Name	Part No.
1	1	Valve Block Assy	206-1653
2	2	Nut	128-191
3	2	Screw	127-697
4	2	LockWasher	128-188
5	1	Gasket	113-466
6	2	1/4 Slip-In Cartridge	134-502
		6mm Slip-In Cartridge	134-534
		8mm Slip-In Cartridge	134-501

* Used on #15 Flexibloks only (3 plugs supplied on #15 w/ bottom P port option)

Base Description	1/8 NPTF	1/4 NPTF	G 1/8	G 1/4	1/4 Push-In	6mm Push-In	8mm Push-In
Flexiblok #11: side cylinder ports	239-694	239-695	239-696	239-697	239-2373	239-2374	239-2372
Flexiblok #15: side & bottom cylinder ports	239-698	239-699	239-700	239-701	N/A	N/A	N/A
Flexiblok #15: + bottom P port	239-702	239-703	239-704	239-705	N/A	N/A	N/A

Service Kits and Parts - 2 Position

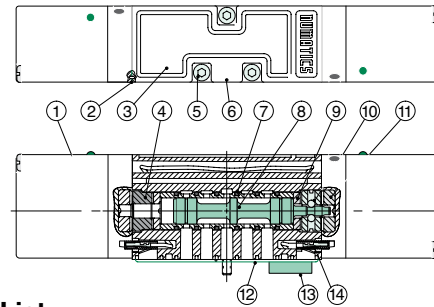
Kit No. 2009-K1 (For Models 091BA4, 092BA4)



Parts List

Det. No.	No. Req'd	Part Name	Part No.
1	1	Spring Cover	104-537
2*	2	Screw Assembly	127-564
3	2	Gasket valve/cover	113-465
4	1	Valve Body (not sold separately)	
5	1	Nameplate	122-986
6	3	Screw Assembly	127-694
7*	2	Bumper	114-181
8*	1	Spring	115-338
9*	6	Seals	126-347
10	1	Spool and Sleeve Assembly	209-508
11*	1	Detent Body	110-135
12*	1	Spacer	116-447
13	1	Solenoid Capsule Assembly	See p. 12
14*	1	Gasket valve/mounting	113-464
15	1	3-Wire Plug Assembly	230-715
16	1	Electrical Receptacle	140-579

Kit No. 2009-K2 (For Models 091BB4, 092BB4)

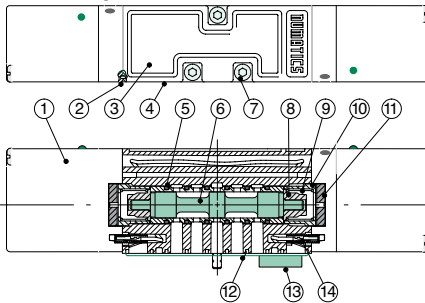


Parts List

Det. No.	No. Req'd	Part Name	Part No.
1	2	Solenoid Capsule Assembly	See p. 12
2*	2	Gasket	113-465
3	1	Nameplate	122-968
4	1	Spacer	116-440
5	3	Screw Assembly	127-694
6	1	Valve Body (not sold separately)	
7*	6	Seals	126-347
8	1	Spool and Sleeve Assembly	209-508
9*	2	Bumper	114-181
10*	1	Detent Assembly	210-138
11*	2	Spacer	116-447
12*	1	Gasket valve/mounting	113-464
13	1	5-Wire Plug Assembly	230-716
14	2	Electrical Receptacle	140-579

2 Position

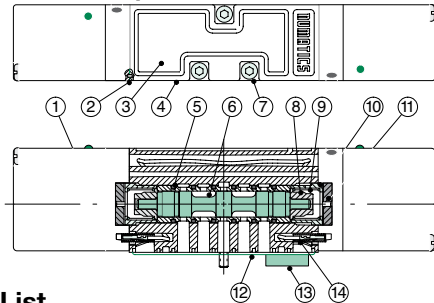
Kit No. 2009-K3 (For Models 091BB5, 092BB5)



Parts List

Det. No.	No. Req'd	Part Name	Part No.
1	1	Solenoid Capsule Assembly	See p. 12
2*	2	Gasket	113-465
3	2	Nameplate	122-968
4	1	Valve Body (not sold separately)	
5*	1	Seal	126-347
6	3	Spool and Sleeve Assembly	209-509
7	2	Screw Assembly	127-694
8	1	Spring Retainer	116-438
9*	6	Spring	115-340
10*	1	Spacer	116-439
11*	1	Bumper	114-180
12*	1	Gasket	113-464
13	1	5-Wire Plug Assembly	230-716
14	1	Electrical Receptacle	140-579

Kit No. 2009-K3 (For Models 091BB6, 092BB6)



Parts List

Det. No.	No. Req'd	Part Name	Part No.
1	2	Solenoid Capsule Assembly	See p. 12
2*	2	Gasket	113-465
3	1	Nameplate	122-968
4	1	Valve Body (not sold separately)	
5*	6	Seal	126-347
6	1	Spool and Sleeve Assembly	209-510
7	3	Screw Assembly	127-694
8	2	Spring Retainer	116-438
9*	2	Spring	115-340
10*	2	Spacer	116-439
11*	2	Bumper	114-180
12*	1	Gasket	113-464
13	1	5-Wire Plug Assembly	230-716
14	2	Electrical Receptacle	140-579

*Indicates parts included in kit. Spool and sleeve assemblies are precision matched sets and include (6) 126-347 seals; spools are not interchangeable.



World Class Supplier of Pneumatic Components



World Headquarters

USA Numatics, Incorporated

46280 Dylan Drive
Novi, Michigan 48377

P: 248-596-3200
F: 248-596-3201

Canada Numatics, Ltd

P: 519-758-2700
F: 519-758-5540

México - Ascomatica SA de CV

P: 52 55 58 09 56 40 (DF y Area metropolitana)
P: 01 800 000 ASCO (2726) (Interior de la República)
F: 52 55 58 09 56 60

Brazil Ascoval Ind.e Comercio Ltda

P: (55) 11-4208-1700
F: (55) 11-4195-3970