

NUMATICS®

2004 Series

Solenoid Pilot Actuated Valves



www.numatics.com

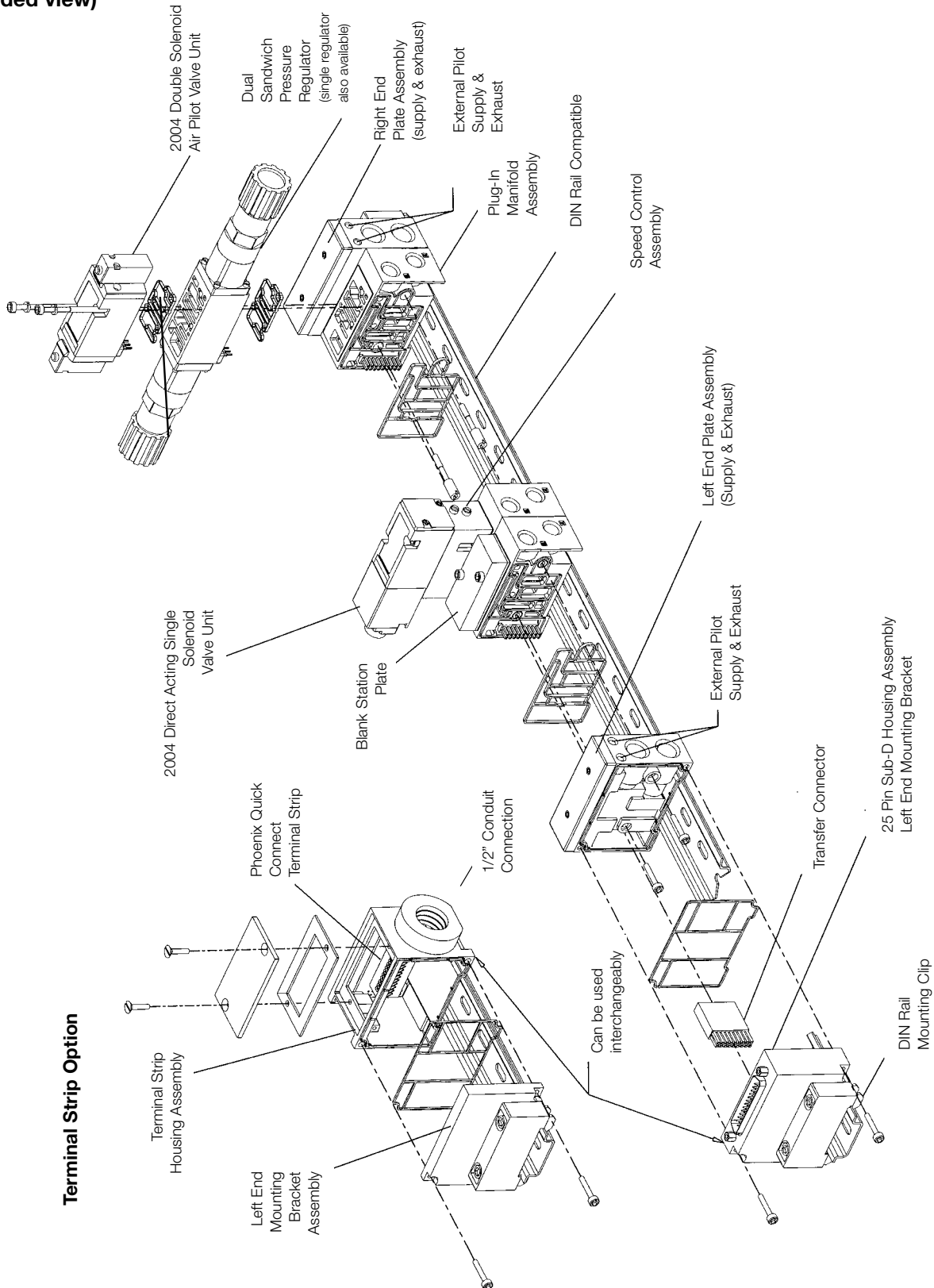
Table of Contents

2004 Series

25 Pin Sub-D and Terminal Strip Options	3
Electronic Interface and I/O Module options	4
Technical Data	5
How to Order	6-8
Single Station Valve Manifold Assembly	9
FlexiBlok® Assembly	10-11
Sandwich Pressure Regulators	12
Valve Regulator / Speed Control Plug-in Assembly	13
Regulator Kits & Service Parts	13
Sandwich Pressure Regulator	14
Manifolds	15
Solenoid Assembly	16
Blank Station Plate Kit	16
Speed Control Kit	16
Mid-Station Supply and Exhaust Block	17
Sandwich Pressure Block	17
DIN Rail Clamp Kit	18
Blocking Discs	18
Internal Pilot Plug Assembly	18
End Plate Assembly Kit - Threaded Parts List	19
Sandwich Pressure Block Parts List	19
Sub-D Kit Parts List	20
Terminal Block Kit Parts List	20
Valve Service Kits and Parts	21-24

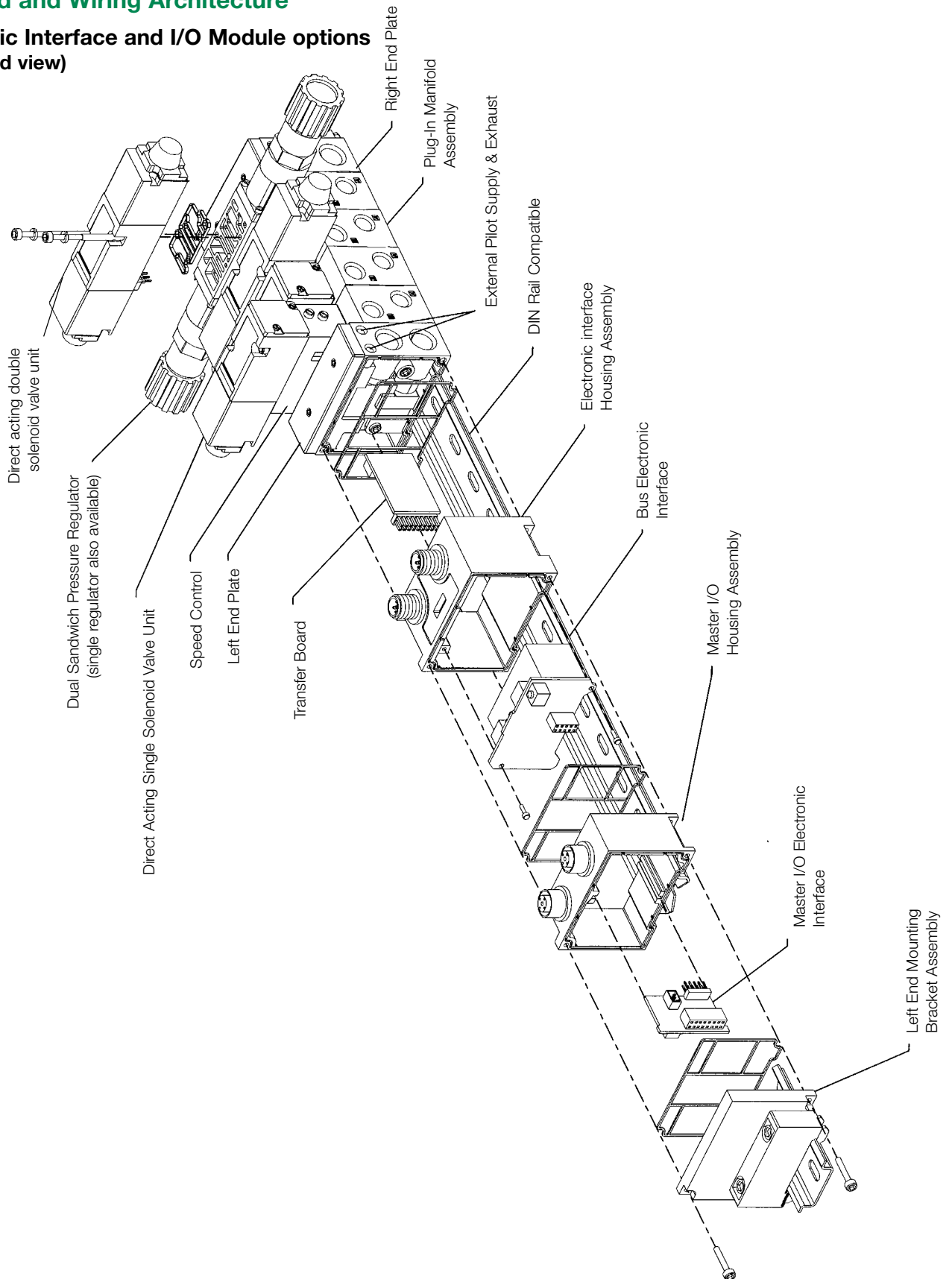
Manifold and Wiring Architecture

25 Pin Sub-D and Terminal Strip Options (expanded view)



Manifold and Wiring Architecture

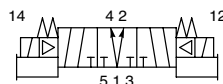
Electronic Interface and I/O Module options (expanded view)



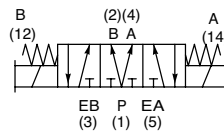
- All internal wiring eliminated
- True plug together flexibility/expandability
- Designed to meet NEMA 4 specifications
- Compact plug together bus interface module
- 25 pin sub-D connector option
- Terminal strip option (Phoenix style)
- Plug together modular Inputs/Outputs
- Plug-in speed control sandwich with adjustments on one side
- Plug-in single and dual pressure regulators



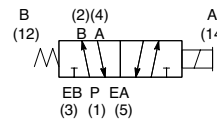
double solenoid pilot
3 Position 4-Way (5/3),
open to 4 (A) and
2 (B) in center



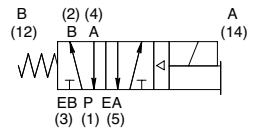
double solenoid
3 Position 4-Way (5/3),
open to 4 (A) and
2 (B) in center



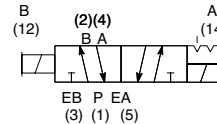
single solenoid
2 position 4-way



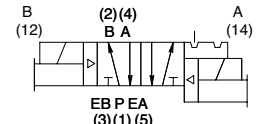
single solenoid air pilot
2 position 4-way



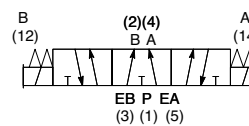
double solenoid
2 position 4-way



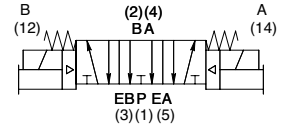
double solenoid air pilot
2 position 4-way



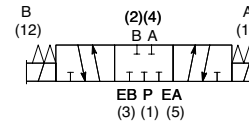
double solenoid
3 position 4-way
open center



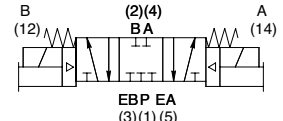
double solenoid air pilot
3 position 4 way
open center



double solenoid
3 position 4-way
closed center



double solenoid air pilot
3 position 4-way
closed center



Technical Data

Valve Data	NPTF		G Tap	
	Direct	Solenoid Air Pilot	Direct	Solenoid Air Pilot
Cv	0.35	0.40	0.25	0.40
Flow Capacity	16 SCFM	18 SCFM	345 NI/m	394 IN/m
	flow to atm @ 80 PSIG		flow @ 6 Bar upstream & 5 Bar downstream	
Operating Pressure Range:	28" Hg. to 150 PSIG		Vacuum to 10 bar	
Pilot Pressure Range	20 to 115 PSIG		2.5 to 8 bar	
Temperature Range (Ambient)	-10°F to +115°F ambient		-23°C to +46°C	

Operating Data

All Solenoids Are Continuous Duty Rated	24 VDC		12 VDC		Direct Solenoid Only	
	Direct	Solenoid Pilot	Direct	Solenoid Pilot	115 VAC/50Hz	120 VAC/60Hz
Power (Watts)	6.0W	0.5W	6.0W	0.5W	5.4	4.1
Holding Current (Amps.)	0.25	0.02	0.25	0.02	0.063	0.052
Inrush Current (Amps.)	N/A	N/A	N/A	N/A	0.093	0.090

Response Time in Seconds	Energize		De-Energize		Energize	De-Energize
	Direct	Sol. Pilot	Direct	Sol. Pilot		
2-Position, Single, Spring Return	0.012	0.014	0.008	0.028	0.008	0.012
2-Position, Double, Detented	0.012	0.014	N/A	N/A	0.008	N/A
3-Position, Spring Centered	0.012	0.014	0.008	0.028	0.008	0.012

How to Order

041 BA 4 Z1 M P 000 61

Valve Series & Port Size
 041 = 1/8
 042 = 1/4
 04D = 4 mm (5/32)
 04F = 6 mm

Valve Type
 BA = Single Solenoid Air Pilot w/Flush Non-locking Override
 BB = Double Solenoid Air Pilot w/Flush Non-locking Override
 SA = Single Solenoid w/Flush Non-locking Override
 SS = Double Solenoid w/Flush Non-locking Override
 00 = Manifold w/no Valve

Function
 4 = 2 Position, 4-Way
 5 = 3 Position, 4-Way Open Center
 6 = 3 Position, 4-Way Blocked Center
 7 = 3 Position 4-Way (5/3), Pressure Center Open to 4 (A) and 2 (B) in Center
 P = Indicates Blank Station Plate

Mounting
 00 = Valve Unit Only
 Z1 = Side and Bottom Ports, Single Solenoid Z-Board
 Z2 = Side and Bottom Ports, Double Solenoid Z-Board
 Z3 = Side Ports only, Single Solenoid Z-Board
 Z4 = Side Ports only, Double Solenoid Z-Board
 Z5 = Z1 with Speed Control
 Z6 = Z2 with Speed Control
 Z7 = Z3 with Speed Control
 Z8 = Z4 with Speed Control

Voltage
 20 = 24/50 - 60 VAC
 30 = 110-120/50-60 VAC
 60 = 12 VDC
 61 = 24 VDC

Options
 000 = Standard
 11B = Flush Locking Override
 14X = External Pilot

Port Type
 G = G Tap (AC)
 K= = Push-in Fitting (DC)
 L= = Push-in Fitting (AC)
 N = NPTF (AC)
 P= = NPTF or Valve Unit Only (DC)
 Q= = G Tap (DC)
 0= = Valve Unit Only (AC)

Wiring Option
 K = Plug-in AC w/Light
 M = Plug-in DC w/Light

041 RS 3 Z1 J N 000 00

Valve Series & Port Size
 041 = 1/8
 042 = 1/4
 04D = 4 mm (5/32)
 04F = 6 mm

Regulator Type
 RS = Single Pressure to Port P (1)
 RD = Dual Pressure to Ports EB (3) & EA (5)

Pressure Range
 3 = 3-30 PSIG Regulator
 7 = 0-100 PSIG Regulator

Mounting
 00 = Regulator Unit Only
 Z1 = Side and Bottom Ports, Single Solenoid Z-Board
 Z2 = Side and Bottom Ports, Double Solenoid Z-Board
 Z3 = Side Ports only, Single Solenoid Z-Board
 Z4 = Side Ports only, Double Solenoid Z-Board
 Z5 = Z1 with Speed Control
 Z6 = Z2 with Speed Control
 Z7 = Z3 with Speed Control
 Z8 = Z4 with Speed Control

Voltage
 00 = Not Applicable

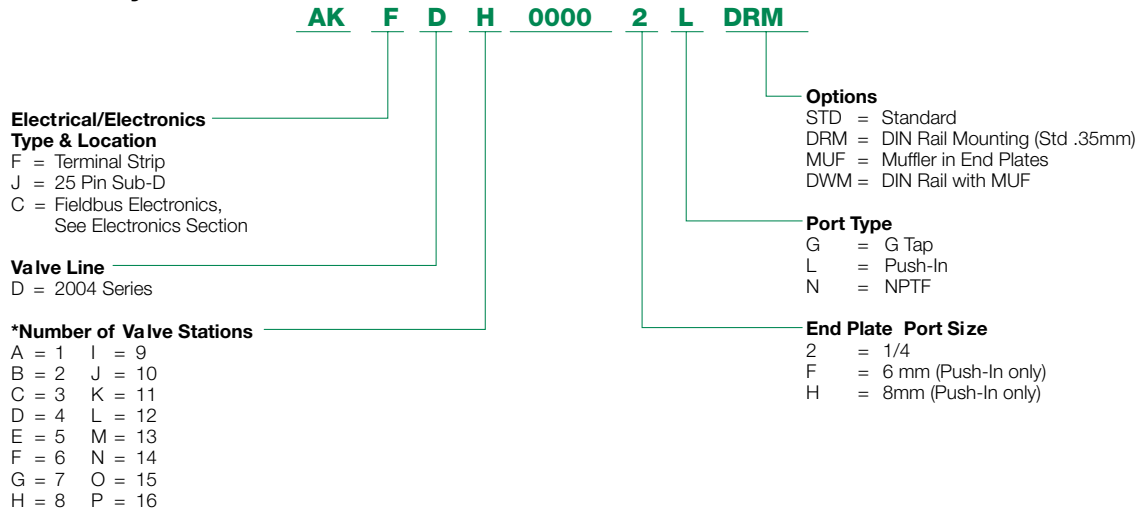
Options
 000 = Standard
 14X = External Pilot
 16N = Jumper on 14 End
 16P = Jumper on 12 End

Port Type
 G = G Tap
 L = Push-in Fitting
 N = NPTF

Wiring Option
 J = Plug-in Receptacle Assembly

How to Order

Manifold Assembly



The electrical connection type.

- Sub-D (AK"J") 16 maximum solenoid outputs
- Terminal Strip (AK"F") 16 maximum solenoid outputs

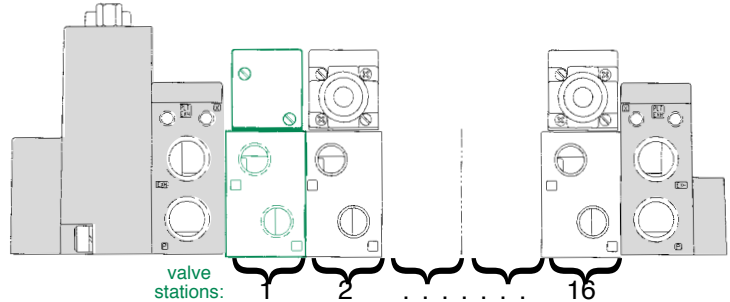
Manifold Assembly Example

AKJ 25 Pin Sub-D

- Shaded components described by Assembly Kit (AK) model number designation (pg. 7).
- Each valve manifold station is listed in sequential order from left to right when facing the port side of the manifold as indicated.

Example Order:

	AKJDD00002NSTD
valve station 1	042SA4Z3KL00030
valve station 2	042SA4Z3KL00030
valve station 3	042SS4Z4KL00030
valve station 4	042SS4Z4KL00030
	ASSEMBLED

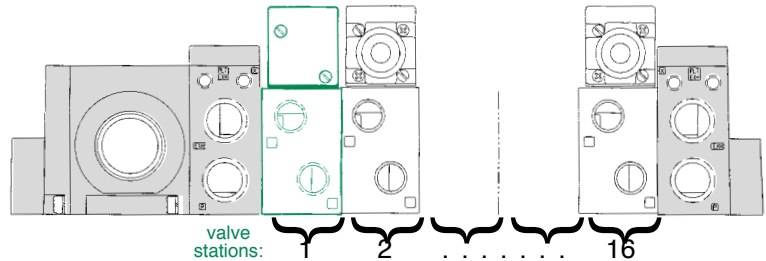


AKF Terminal Strip

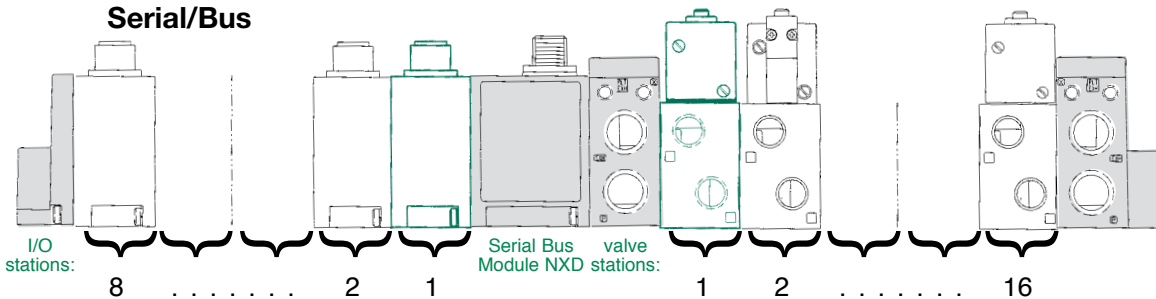
- Ordered using the same method as for 25 Pin Sub-D

Example Order:

	AKFDD0000FLSTD
valve station 1	042SA4Z4KL00030
valve station 2	042SA4Z4KL00030
valve station 3	042SS4Z4KL00030
valve station 4	042SS4Z4KL00030
	ASSEMBLED



AKC Serial/Bus



- Shaded components described by Assembly Kit (AK) model number designation (see electronics section), with the exception of the Serial/Bus module and number of I/O stations that are described by Electronic Interface (NXD) model number designation. (see electronics section)
- Each valve manifold station is listed in sequential order from left to right when facing the port side of the manifold as indicated.
- Each discrete I/O station is listed in sequential order from RIGHT to LEFT starting from the Serial/Bus module as indicated.

Example order:

	AKCDD0000HLSTD
valve station 1	042BA4Z3MK00061
valve station 2	042BA4Z3MK00061
valve station 3	042BB4Z4MK00061
valve station 4	042BB4Z4MK00061
	NXDDN0808DFE02
I/O station 1	239-1802 Input Master Kit
I/O station 2	239-1803 Input Slave Kit
I/O station 3	239-1803 Input Slave Kit
I/O station 4	239-1803 Input Slave Kit
I/O station 5	239-1800 Output Master Kit
I/O station 6	239-1801 Output Slave Kit
I/O station 7	239-1801 Output Slave Kit
I/O station 8	239-1801 Output Slave Kit
	ASSEMBLED

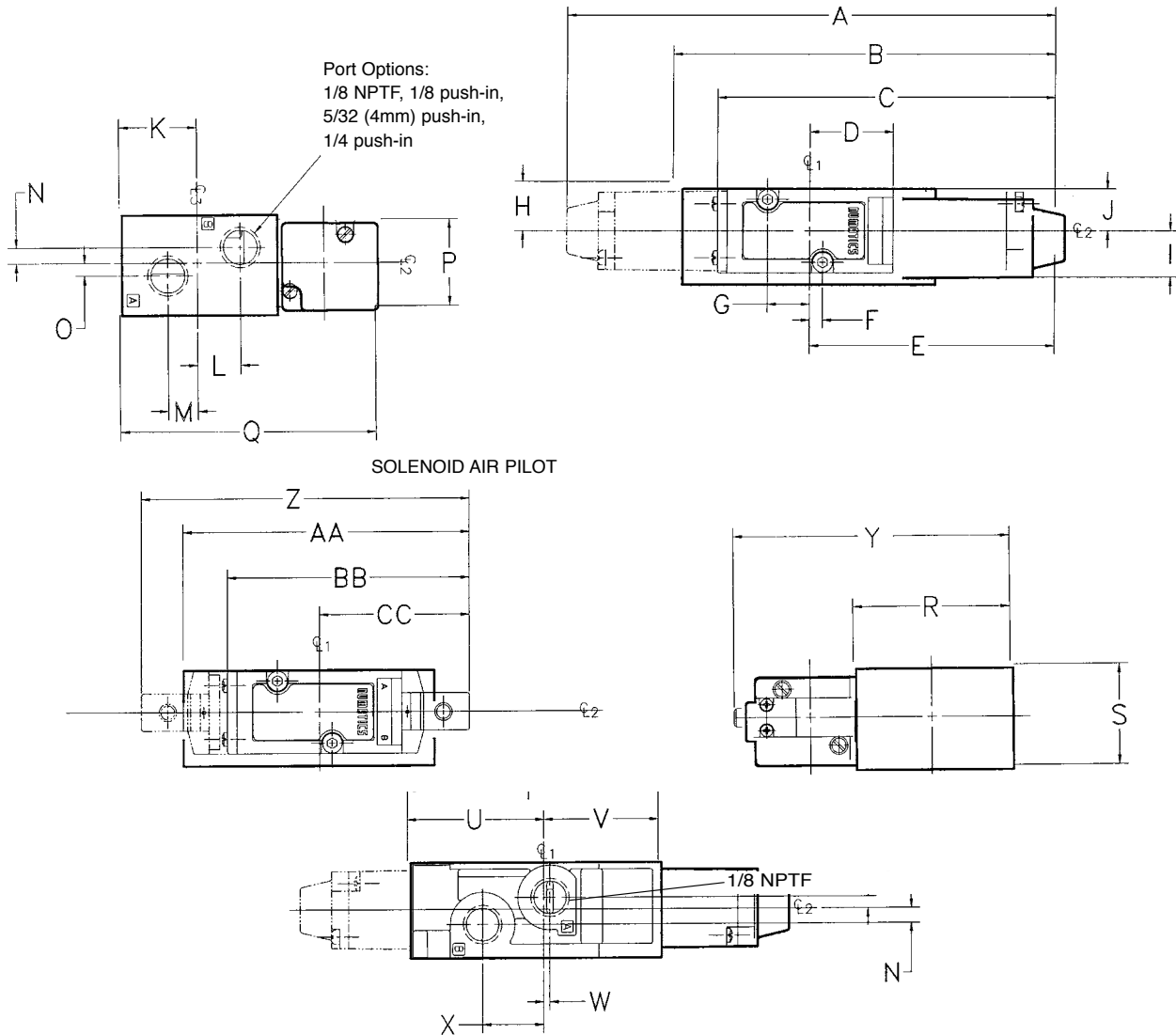
NOTE: I/O station #1 must always be a MASTER KIT (see electronics section).

NOTE: Total of 16 solenoid outputs available. Either 16 single solenoid valves or 8 double solenoid valves or any combination of singles or doubles, not to exceed 16 solenoid outputs.

Dimensions: Inches (mm)

Single Station valve Manifold Assembly

direct solenoid and solenoid air pilot



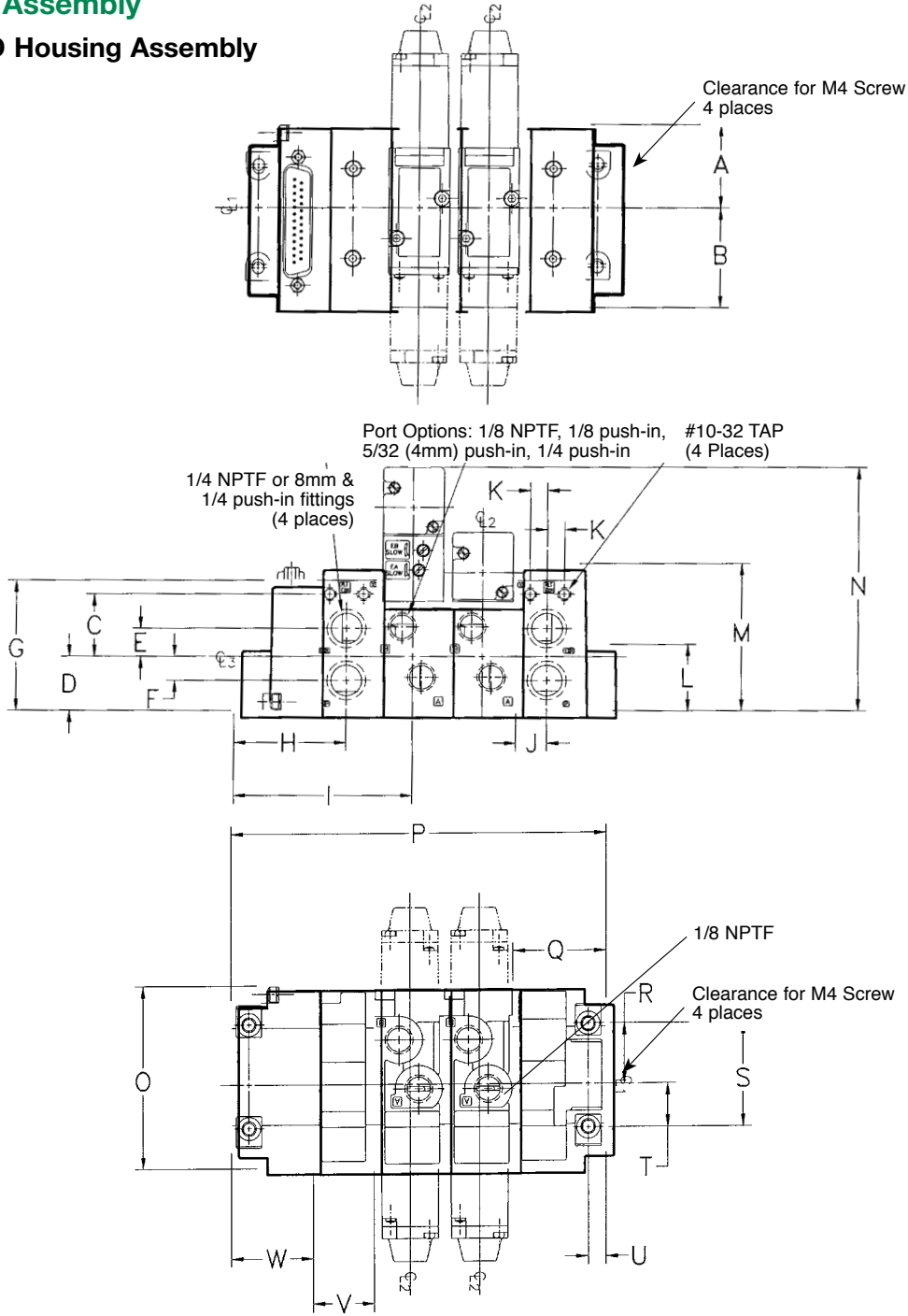
A	B	C	D	E	F	G	H	I	J	K	L	M	N	O
5.10 (129.6)	3.98 (101.2)	3.52 (89.3)	0.87 (22.0)	2.55 (64.8)	0.13 (3.4)	0.44 (11.3)	0.52 (13.1)	0.48 (12.3)	0.44 (11.1)	0.78 (19.8)	0.43 (11.0)	0.30 (7.6)	0.16 (4.0)	0.13 (3.2)

P	Q	R	S	T	U	V	W	X	Y	Z	AA	BB	CC
0.88 (22.2)	2.57 (65.3)	1.56 (39.7)	1.00 (25.4)	2.64 (67.0)	1.43 (36.4)	1.21 (30.6)	0.06 (1.6)	0.65 (16.4)	2.75 (69.9)	3.45 (87.6)	3.22 (81.6)	2.55 (64.8)	1.58 (40.1)

Dimensions: Inches (mm)

FlexiBlok® Assembly

25 pin sub-D Housing Assembly

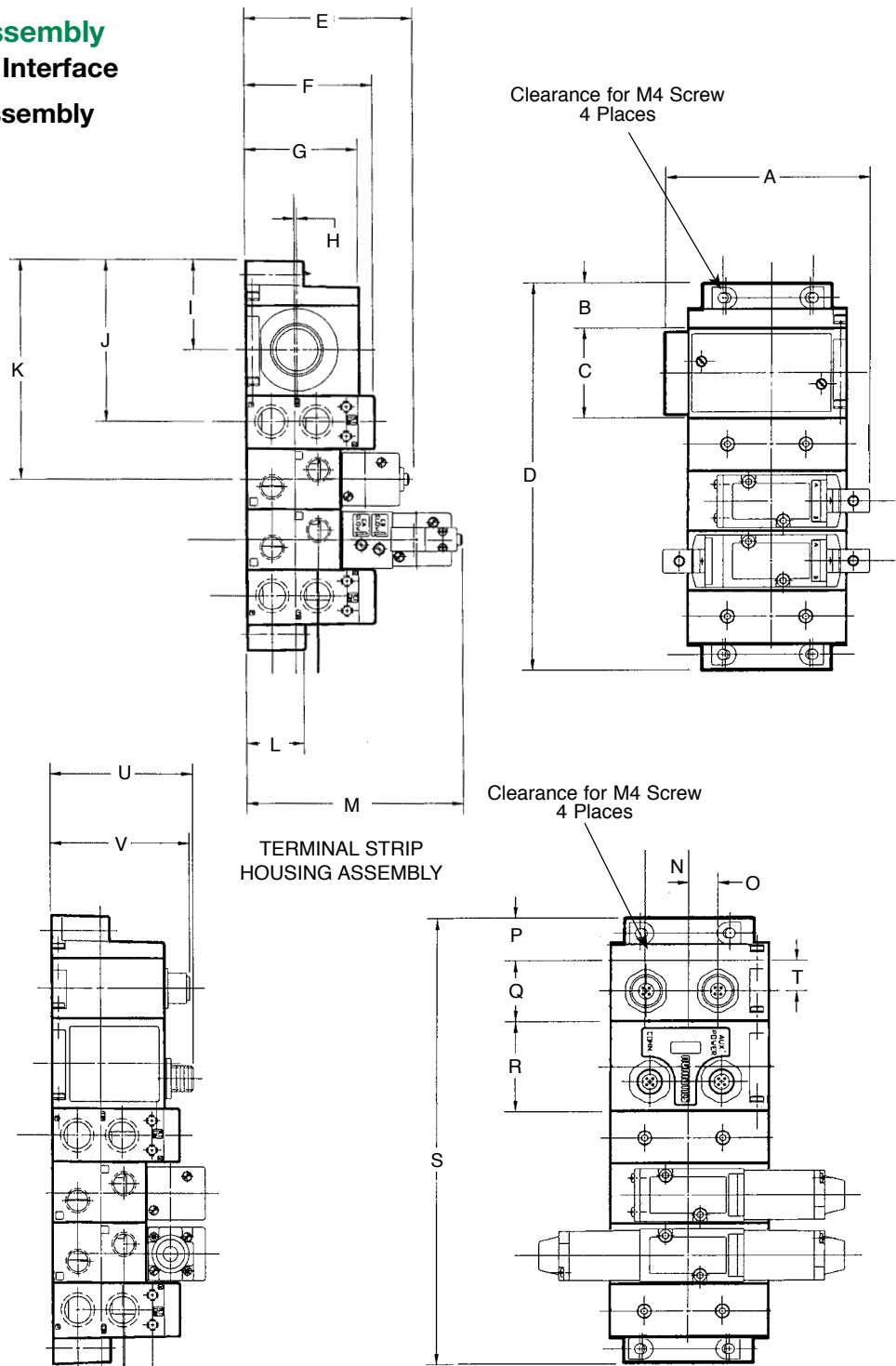


A	B	C	D	E	F	G	H	I	J	K	L	M	N	O
1.21 (30.6)	1.43 (36.4)	0.86 (21.8)	0.83 (21.1)	0.36 (9.1)	0.39 (9.9)	1.88 (47.8)	1.62 (41.2)	2.58 (65.5)	0.44 (11.2)	0.25 (6.2)	0.96 (24.4)	2.13 (54.1)	3.51 (89.2)	2.64 (67.0)

Q	R	S	T	U	V	W
1.33 (33.7)	0.87 (22.2)	1.50 (38.1)	0.63 (15.9)	0.25 (6.5)	0.88 (22.4)	1.18 (30.0)

Dimensions: Inches (mm)

FlexiBlok® Assembly
Bus Electronic Interface
I/O Housing Assembly



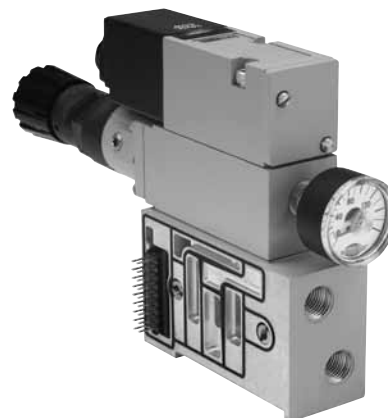
A	B	C	D	E	F	G	H	I	J	K	L	M	N	O
3.41 (86.6)	0.75 (19.1)	1.50 (38.1)	6.46 (164.1)	2.81 (71.4)	2.13 (54.1)	1.88 (47.8)	0.06 (1.6)	1.50 (38.1)	2.69 (68.3)	3.65 (92.7)	0.96 (24.4)	3.61 (91.7)	0.73 (18.5)	0.49 (12.5)
P	Q	R	S	T	U	V								
0.71 (18.1)	1.00 (25.4)	1.50 (38.1)	7.42 (188.5)	0.50 (12.7)	2.38 (60.5)	2.32 (59.0)								

Sandwich Pressure Regulators

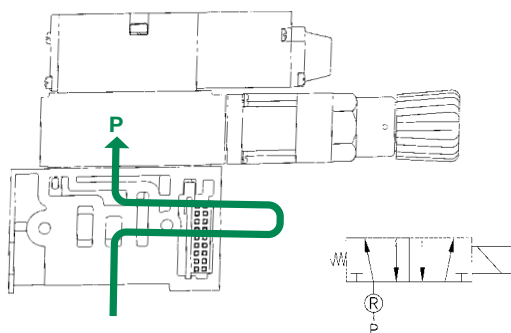
Types: RS / RD

When ordering a valve plus regulator mounted on a manifold, list the valve unit-only model number and include the mounting requirements within the regulator model selection. Specify "Assembled."

Example orders:	TYPE RS	TYPE RD
Valve unit only:	041SA407K000030 (AC)	041BB407MP00061 (DC)
Regulator	041RS3Z1JN000000	041RD3Z2JN000000
+ mounting	ASSEMBLED	ASSEMBLED

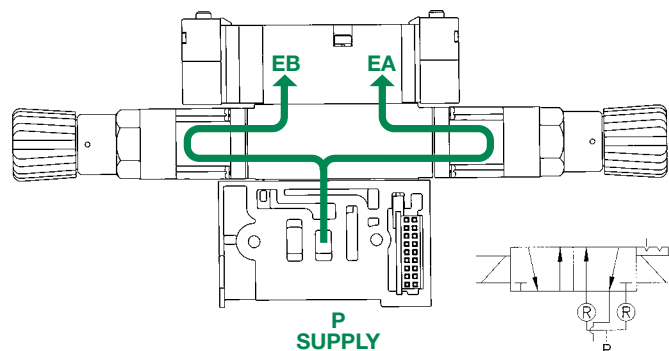


Type RS



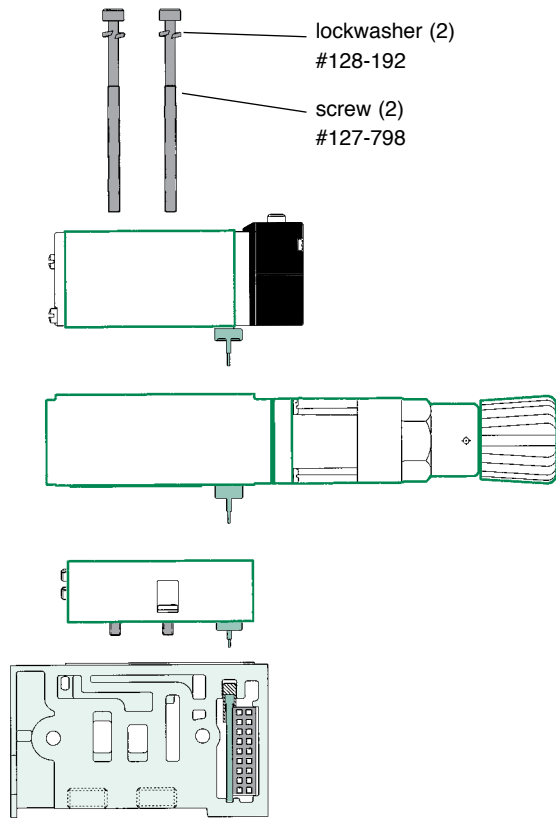
Single pressure from a single supply.

Type RD



Dual pressure from a single supply.

Valve Regulator / Speed Control Plug-in Assembly



EXAMPLE

041BA407MP00061

2004 single solenoid valve unit with plug-in assembly and extra long mounting screws for use with regulator and speed control

042RS3Z7JL00000

Single pressure regulator Type RS + speed control sandwich mounted on a 1/4 inch manifold with side ports and push-in fittings.

Example order:

Valve: 041BA400M000061

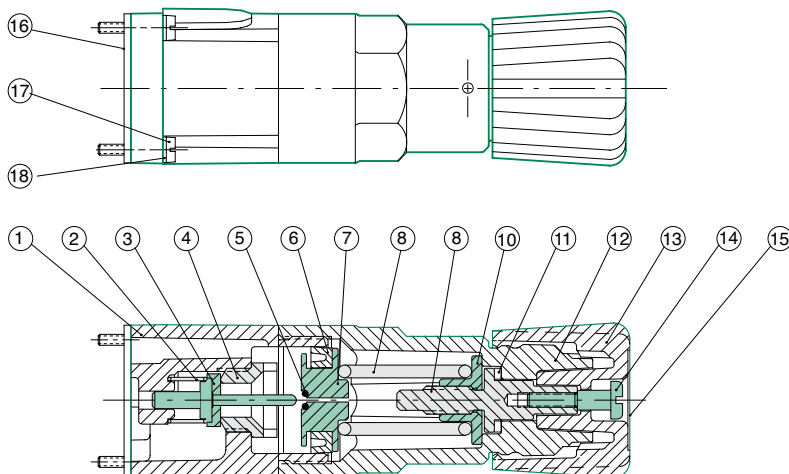
Regulator: 042RS3Z7JL00000

ASSEMBLED

Regulator Kits & Service Parts

Regulator Service Kit

239-708



Parts List

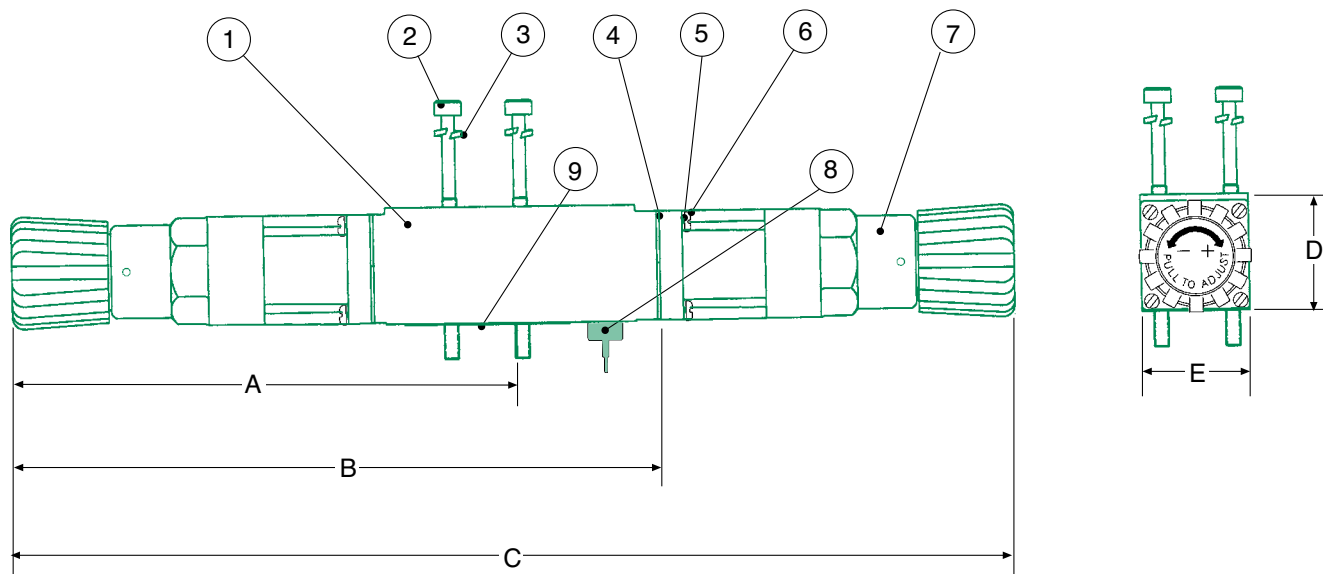
Det. No.	No. Req'd	Part Name	Part No.
1	1	Regulator Body	101-706
2*	1	Spring	115-226
3*	1	Poppet Assembly	221-168
4	1	Poppet Seat	124-148
5*	1	O-Ring	126-336
6*	1	Seal U-Packing	124-383
7	1	Piston	125-618
8	1	Spring 0-30 PSIG 0-100 PSIG	115-352 115-342
9	1	Metering Screw	118-187
10	1	Spring Guide	112-369
11*	1	Bearing	125-617
12	1	Bonnet	125-623
13	1	Knob	125-624
14*	1	Screw	127-706
15	1	Label	122-992
16*	1	Gasket	113-472
17	4	Screw	127-380
18	4	Lockwasher	128-172

* (2) Required for RD

** (8) Required for RD

Sandwich Pressure Regulator

Dimensions: Inches (mm)



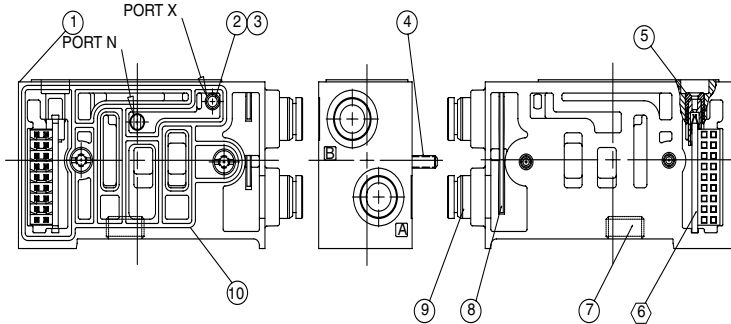
A	B	C	D	E
4.08 (103.7)	5.24 (133.0)	8.17 (207.4)	0.94 (23.9)	0.87 (22.1)

Parts List

Det. No.	No. Req'd	Part Name	Part No.
1	1	Regulator Block (RD)	125-716
1	1	Regulator Block (RD)	125-715
2	2	Regulator Block (RD)	127-798
3	2	Lockwasher	128-192
4*	2	Gasket	113-472
5**	8	Lockwasher	128-172
6**	8	Screw	127-380
7**	2	Regulator Assembly (not sold separately)	
8	1	J Plug Board Encap.	230-835
9	1	Gasket	113-499
not shown	1	Retaining Shroud	125-717
not shown	1	Shroud	125-718
		Pressure Gauge 0-150 PSIG	214-209
		Pressure Gauge 0-60 PSIG	214-216

* (1) Required for RS
** (4) Required for RS

Manifolds



Stud
#127-792

Parts List

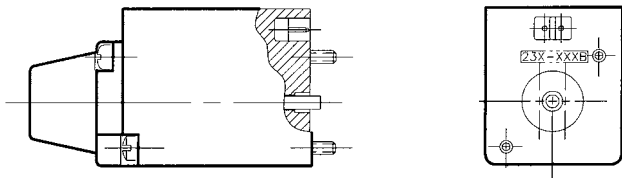
Det. No.	No. Req'd	Part Name	Part No.
1	1	Manifold	not sold separately
2	1	Blocking Disk	125-730
3	1	O'Ring Seal	126-427
4	2	Stud	127-792
5	1	Retaining Shroud	125-717
6	1	Manifold Board ASS'Y	not sold separately
7	1	Pipe Plug (1/8 NPTF)	129-100
8	1	Fitting Clip	125-1136
9	2	1/4 Slip-In Cartridge	134-518
		1/8 Slip-In Cartridge	134-500
		4MM Slip-In Cartridge	134-498
		8MM Slip-In Cartridge	134-499
10	1	Gasket	113-504

Manifold Assembly Kits	1/8 NPTF	G 1/8	1/8 Push-In	5/32 - 4mm Push-In	1/4 Push-In	6mm Push-In
Single "Z-Board"™	239-935	239-1036	239-2346	239-2348	239-2345	239-2347
Double "Z-Board"™	239-934	239-1035	239-2350	239-2352	239-2349	239-2351

NOTE: For direct acting applications, factory will install plug into the N-port.
 For SPA applications, factory will install plug into the X-port.
 For manifolds ordered individually, pilot plugs will be packaged separately.
 If using internal pilot supply (Port N), the X-port in the left end plate must be plugged.

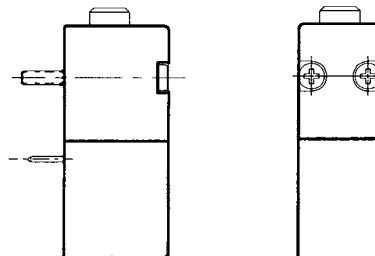
Solenoid Assembly

Direct Solenoid



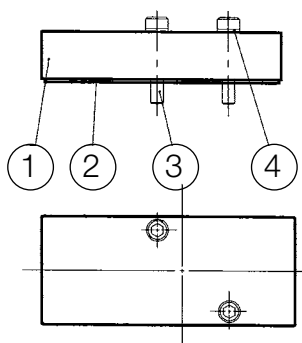
VDC	2 Pos.	3 Pos.
24	236-319	236-337
VDC	2 Pos.	3 Pos.
110-120/50-60	237-1018	237-1015
24/50-60	237-1019	237-1017

Solenoid Air Pilot 236-565



Blank Station Plate Kit

239-915

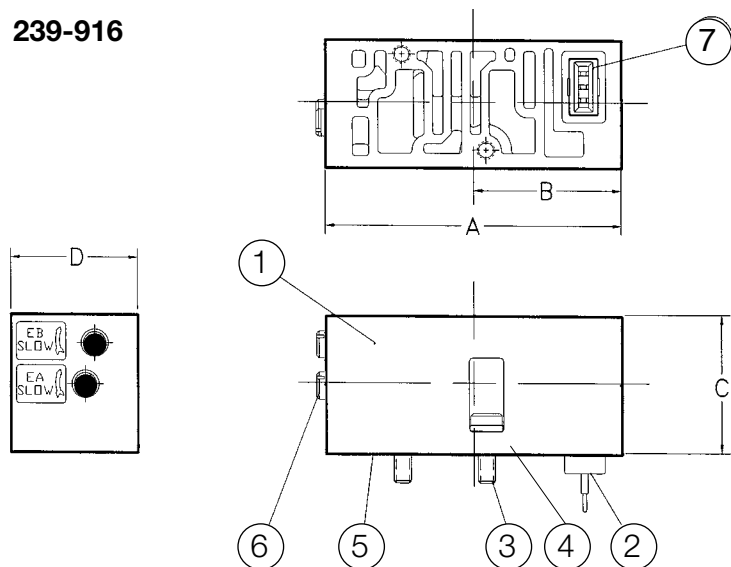


Parts List

Det. No.	No. Req'd	Part Name	Part No.
1	1	Blank Station Plate	104-638
2	1	Gasket	113-505
3	2	Screw	127-536
4	2	Lockwasher	128-192

Speed Control Kit

239-916

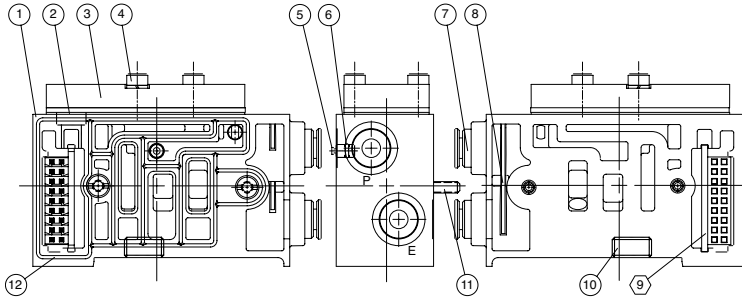


Parts List

Det. No.	No. Req'd	Part Name	Part No.
1	1	Speed Control (not sold separately)	
2	1	J Plug Board Encap.	230-835
3	2	Screw	127-795
4	2	Lockwasher	128-192
5	1	Gasket	113-499
6	2	Metering Screw	118-198
7	1	Retaining Screw	125-717
not shown	1	Shroud	125-718
not shown	2	Nylon Rod (for metering screw)	125-259

A	B	C	D
2.04 (51.8)	1.02 (25.9)	0.94 (23.8)	0.87 (22.1)

Mid-Station Supply and Exhaust Block



Port Type	Part No.
1/8	239-1419
G 1/8	239-1616
6mm Push-in	239-2344

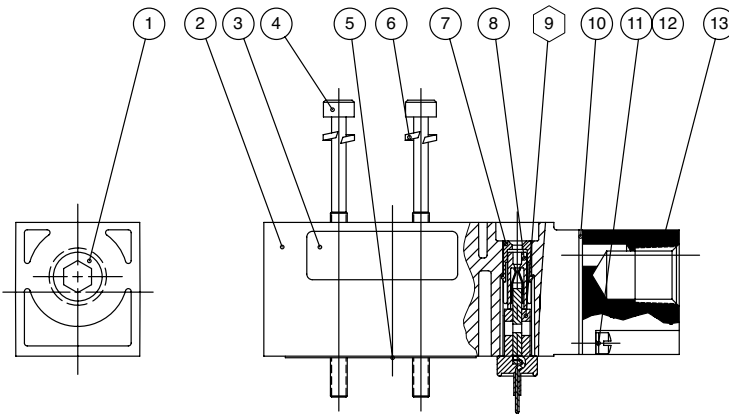
Parts List

Det. No.	No. Req'd	Part Name	Part No.
1	1	Mid Station Plate	125-1143
2	1	Gasket	113-505
3	1	Blank Station Plate	104-638
4	2	Screw Ass'Y	127-570
5	1	Blocking Plug	125-730
6	1	O-Ring	126-427
7	2	Tube Cartridge	134-499
8	1	Fitting Clip	125-1136
9	1	Transfer Board Ass'Y	256-717
10	1	Pipe Plug	129-100
11	2	Stud	127-792
12	1	Gasket	113-504

Sandwich Pressure Block

239-2519

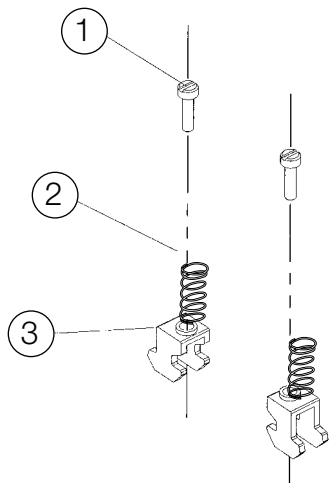
1/8 NPTF



Det. No.	No. Req'd	Part Name	Part No.
1	1	Pipe Plug	129-100
2	1	Riser Block	125-715
3	1	Nameplate	122-242
4	2	Screw	127-798
5	1	Gasket	113-499
6	2	Lockwasher	128-192
7	1	Retaining Shroud	125-717
8	1	Shroud	125-718
9	1	J Plug Board Encap.	230-835
10	1	Gasket	113-290
11	4	Screw	127-260
12	4	Lockwasher	128-172
13	1	Adapter	119-737

DIN Rail Clamp Kit

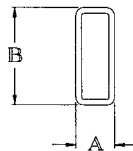
239-980



Parts List

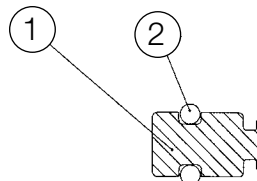
Det. No.	No. Req'd	Part Name	Part No.
1	4	Screw	127-472
2	4	Spring	115-355
3	4	Clamp	125-720

Blocking Discs



Port	Part No.	A	B
P	124-307	0.27	0.70
EA	124-308	0.19	0.73
EB	124-309	0.24	0.54

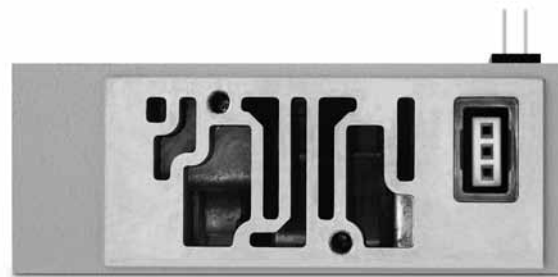
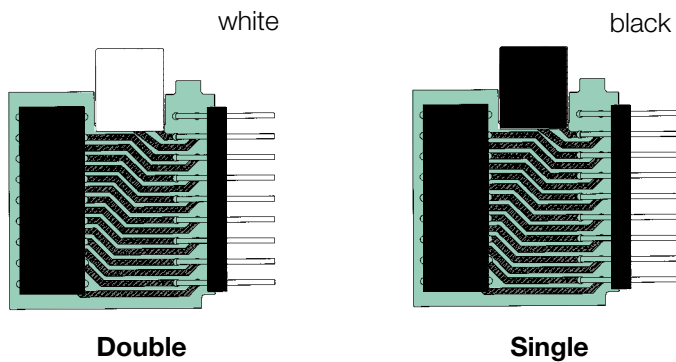
Internal Pilot Plug Assembly 213-492



Parts List

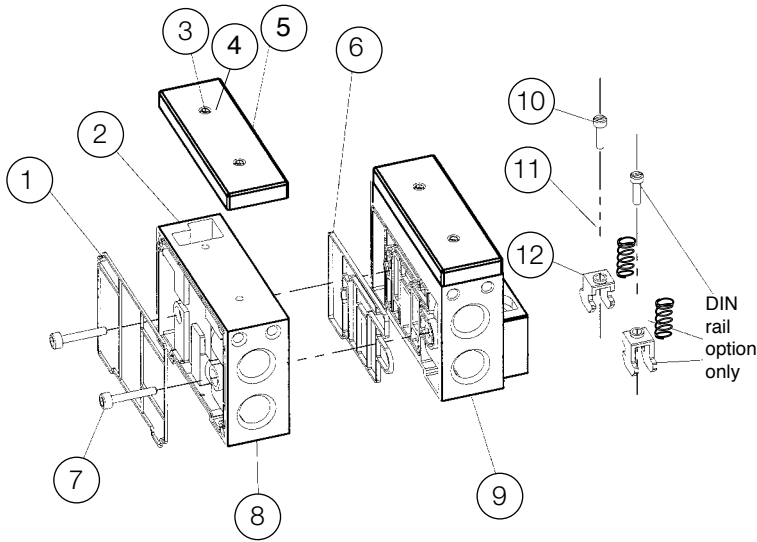
Det. No.	No. Req'd	Part Name	Part No.
1	1	Blocking Plug	125-730
2	1	O-Ring	126-427

“Z-Boards”™



Plug color visible from top of manifold block.

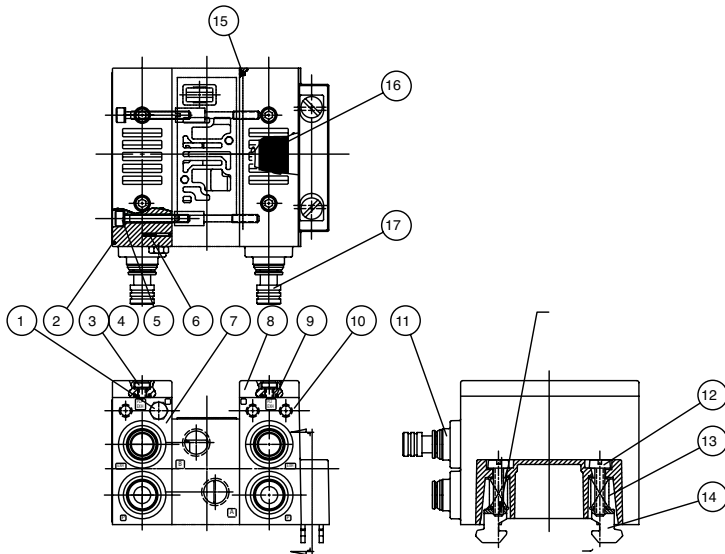
End Plate Assembly Kit - Threaded



Parts List

Det. No.	No. Req'd	Part Name	Part No.
1	1	Gasket	113-503
2	2	Gasket	113-500
3	4	Screw	127-795
4	4	Lockwasher	128-192
5	2	End Plate Cover	105-377
6	1	Gasket	113-504
7	2	Screw Assembly	127-563
8	1	LH End Plate	See Chart
9	1	RH End Plate	See Chart
10	2	Screw	127-472
11	2	Spring	115-355
12	2	Clamp	125-720

End Plate Assembly Kit - Push-In

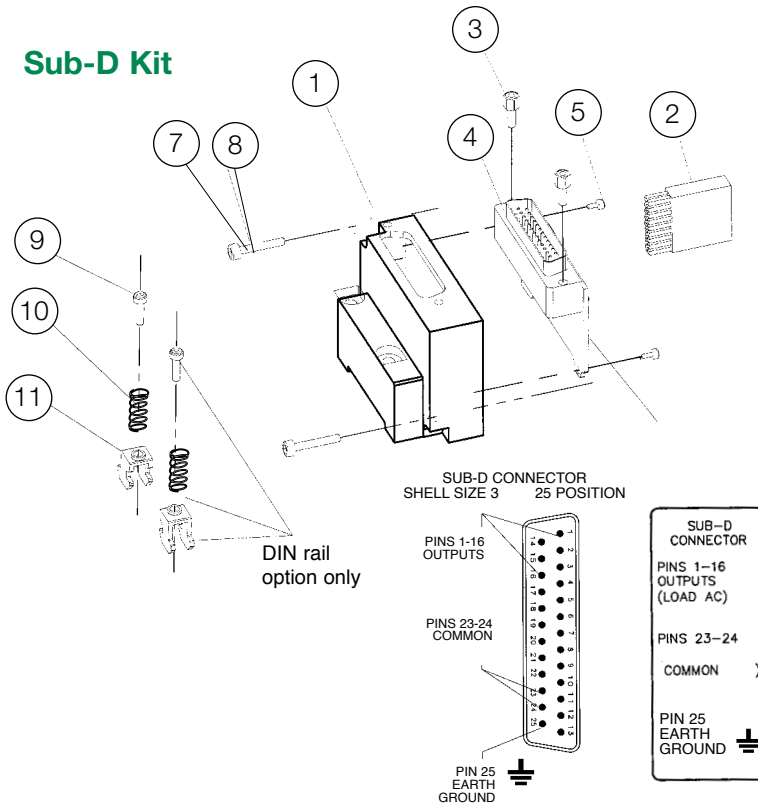


Parts List

Det. No.	No. Req'd	Part Name	Part No.
1	1	Plug	129-138
2	1	Gasket	113-503
3	4	Screw	127-795
4	4	Lockwasher	128-192
5	2	Screw Ass'y	127-563
6	2	Retaining Clip	125-1137
7	1	LH End Plate	104-813
8	2	End Plate Cover	105-412
9	2	Gasket	113-500
10	1	RH End Plate	104-814
11	4	1/4 Fitting Cartridge	134-502
12	2	Screw	127-472
13	2	Spring	115-355
14	2	Clamp	125-720
15	1	Gasket	113-504
16	2	Muffler	125-846
17	2	Plug	IN118-104-000

Fitting Type	1/4 NPTF	ISO228/1-G1/4	1/4 Push-In	6mm Push-In	8mm Push-In
LH End Plate	104-610	104-633	104-813	104-813	104-813
RH End Plate	104-611	104-631	104-814	104-814	104-814
Kit Number without DIN Rail	239-943	239-945	239-2338	239-2336	239-2340
Kit Number with DIN Rail	239-950	239-952	239-2337	239-2335	239-2339
Kit Number with Muffler	N/A	N/A	239-2360	239-2359	239-2361
Kit Number with Muffler & DIN Rail	N/A	N/A	239-2363	239-2362	239-2364

Sub-D Kit



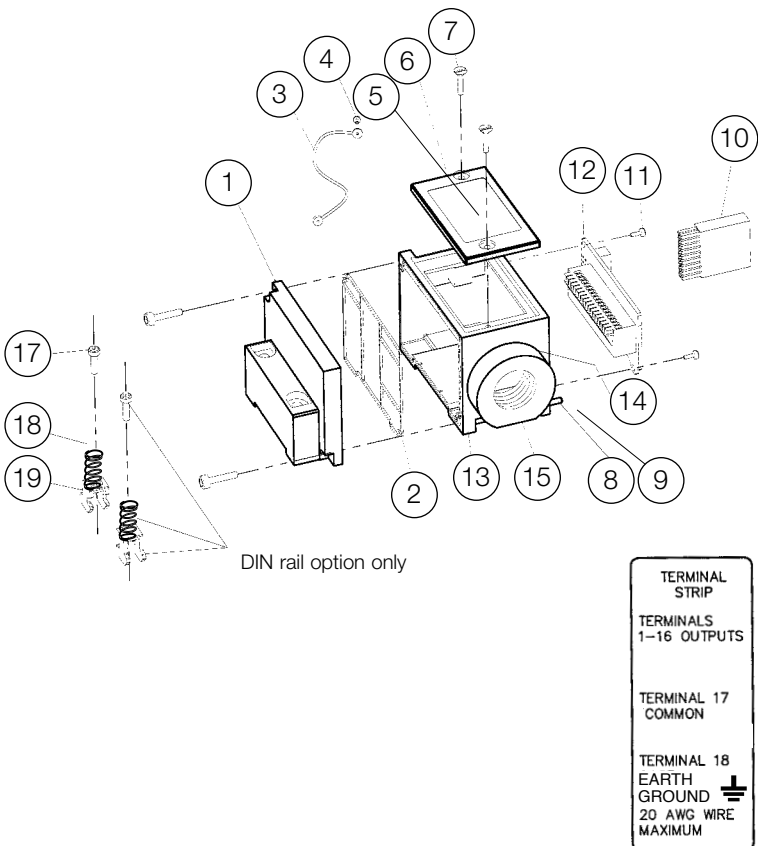
Parts List

Det. No.	No. Req'd	Part Name	Part No.
1	1	Housing	105-379
2	1	Transfer Connector	140-672
3	2	Hex Screw	127-825
4	1	Gasket	113-507
5	2	Screw	127-794
6	1	Sub-D Board Assembly	256-532
7	2	Screw	127-499
8	2	Lockwasher	128-192
9	2	Screw	127-472
10	2	Spring	115-355
11	2	Clamp	125-720

Sub-D Housing Kits

	Part No.
With DIN Rail	239-972
Without DIN Rail	239-968

Terminal Block Kit



Parts List

Det. No.	No. Req'd	Part Name	Part No.
1	1	LH DIN Rail Mtg. Cover	105-381
2	1	Gasket	113-503
3	1	Cover Strap	125-772
4	1	Stick Screw	127-180
5	1	Cover	105-384
6	1	Gasket	113-508
7	2	Screw	127-826
8	4	Screw	127-795
9	6	Lockwasher	128-192
10	1	Transfer Connector	140-672
11	3	Screw	127-794
12	1	Terminal Strip Board	256-560
13	1	Housing	125-765
14	1	Gasket	113-509
15	1	Adaptor 1/2" NPTF	119-598
16*	2	Adaptor Mtg. Screw	127-827
17	2	Screw	127-472
18	2	Spring	115-355
19	2	Clamp	125-720

* Indicates parts included in kit.

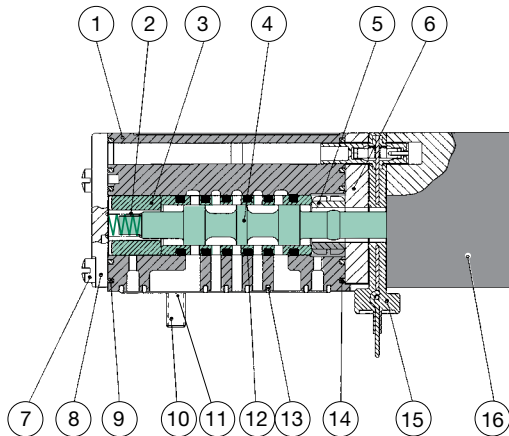
Sub-D Housing Kits

	Part No.
With DIN Rail	239-1023
Without DIN Rail	239-1022

Valve Service Kits and Parts Direct Acting

Kit No. MK4-K1*

(For Models 041SA4, 042SA4, 04DSA4)



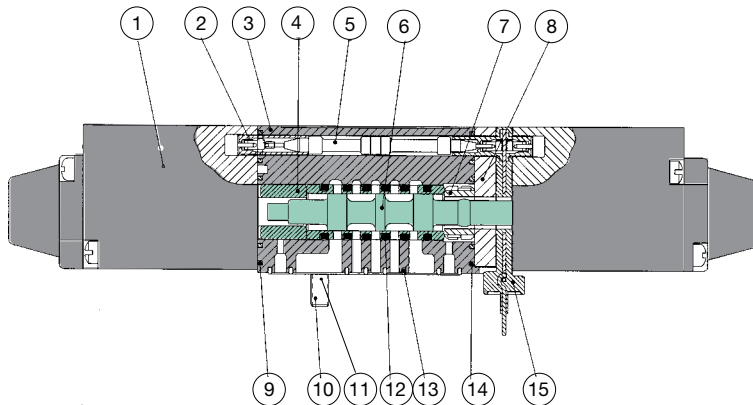
Parts List

Det. No.	No. Req'd	Part Name	Part No.
1	1	Valve Body (not sold separately)	
2*	1	Spring	115-203
3*	1	Bumper	114-183
4	1	Sleeve Assembly with Seals	209-547
5*	1	Detent Body	110-109
6	1	Spacer	116-496
7	2	Screw	127-797
8	1	Spring Cover	104-609
9*	1	Gasket	113-502
10	2	Screw	127-797
11	2	Lockwasher	128-192
12*	6	Seal	126-133
13*	1	Gasket	113-499
14*	1	Gasket	113-501
15	1	Solenoid Board Encap.	230-1134
16	1	Solenoid Capsule	

* Indicates parts included in kit.

Kit No. MK4-K1*

(For Models 041SS4, 042SS4, 04DSS4)



Parts List

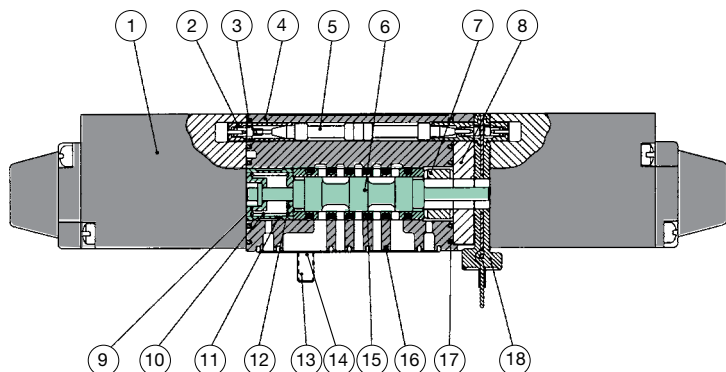
Det. No.	No. Req'd	Part Name	Part No.
1	2	Solenoid Capsule	
2	1	Duck Bill Housing	125-719
3	1	Valve Body (not sold separately)	
4*	1	Bumper	114-183
5	1	A-B Recept. Encap.	230-834
6	1	Sleeve Assembly with Seals	209-547
7*	1	Detent Body	210-111
8	1	Spacer	116-496
9*	1	Gasket	113-502
10	2	Screw	127-797
11	2	Lockwasher	128-192
12*	6	Seal	126-133
13*	1	Gasket	113-499
14*	1	Gasket	113-501
14	1	Solenoid Board Encap.	230-1134

* Indicates parts included in kit.

Valve Service Kits and Parts Direct Acting

Kit No. MK4-K3*

(For Models 041SS5, 042SS5, 04DSS5)



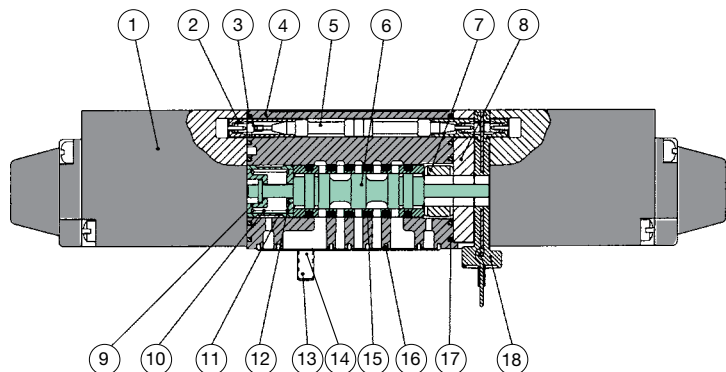
Parts List

Det. No.	No. Req'd	Part Name	Part No.
1	2	Solenoid Capsule	
2	1	Duck Bill Housing	125-719
3*	1*	Gasket	113-502
4	1	Valve Body (not sold separately)	
5	1	A-B Recept. Encap.	230-834
6	1	Sleeve Assembly with Seals	209-548
7*	1	Bumper	114-171
8	1	Spacer	116-496
9*	1	Spring Retainer	116-396
10	1	Spring	115-291
11*	1	Spacer	116-397
12*	1	Spring Retainer	116-395
13	2	Screw	127-797
14	2	Lockwasher	128-192
15*	6	Seals	126-133
16*	1	Gasket	113-499
17*	1	Gasket	113-501
18	1	Solenoid Board Encap.	230-1134

* Indicates parts included in kit.

Kit No. MK4-K3*

(For Models 041SS6, 042SS6, 04DSS6)



Parts List

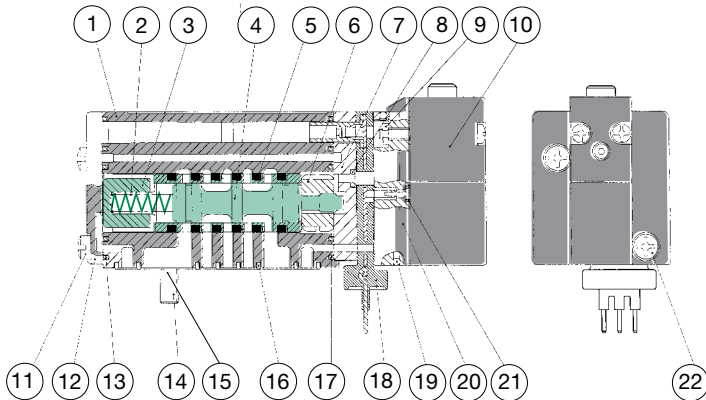
Det. No.	No. Req'd	Part Name	Part No.
1	2	Solenoid Capsule	
2	1	Duck Bill Housing	125-719
3*	1	Gasket	113-502
4	1	Valve Body (not sold separately)	
5	1	A-B Recept. Encap.	230-834
6	1	Sleeve Assembly with Seals	209-549
7*	1	Bumper	114-171
8	1	Spacer	116-496
9*	1	Spring Retainer	116-396
10*	1	Spring	115-291
11*	1	Spacer	116-397
12*	1	Spring Retainer	116-395
13	2	Screw	127-797
14	2	Lockwasher	128-192
15*	6	Seals	126-133
16*	1	Gasket	113-499
17*	1	Gasket	113-501
18	1	Solenoid Board Encap.	230-1134

* Indicates parts included in kit.

Valve Service Kits and Parts Solenoid Air Pilot

Kit No. SPA4-K1*

(For Models 041BA4, 042BA4, 04DBA4)



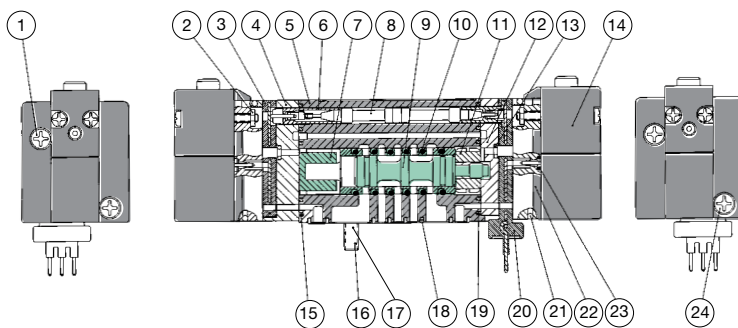
Parts List

Det. No.	No. Req'd	Part Name	Part No.
1	1	Body (not sold separately)	
2*	1	Spring	115-356
3*	1	Spring Retainer	116-502
4	1	Sleeve Assembly with Seals	209-555
5*	6	Seals	126-133
6	1	Detent Body	110-117
7	1	Spacer	116-500
8*	2	Gasket	113-512
9	2	M1.6 Hex Jam Nut	128-320
10	1	Solenoid Capsule Assembly	See p. 16
11	2	Screw	127-260
12	1	Spring Cover	104-609
13*	1	Gasket	113-502
14	2	Screw	127-797
15	2	Lockwasher	128-192
16*	1	Gasket	113-499
17*	1	Gasket	113-501
18	1	Solenoid Board Encap.	230-1135
19	2	3/64 Ball	121-142
20	1	Pilot Adaptor	119-601
21*	1	Gasket	113-513
22	2	M2 x 8mm Screw	127-829

* Indicates parts included in kit.

Kit No. SPA4-K1*

(For Models 041BB4, 042BB4, 04DBB4)



Parts List

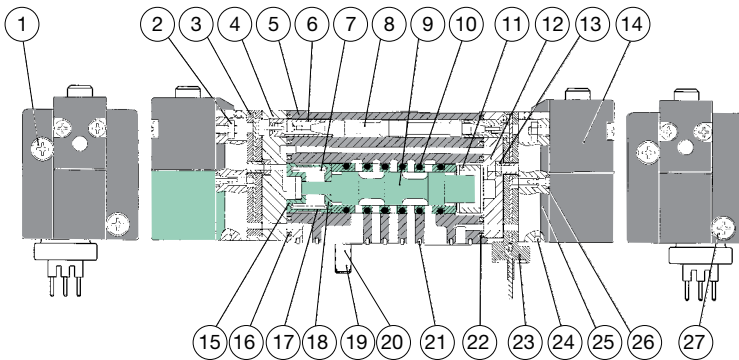
Det. No.	No. Req'd	Part Name	Part No.
1	2	M2 x 14mm Screw	127-828
2	4	M1.6 Hex Jam Nut	128-320
3	1	Solenoid Board Encap.	230-854
4	1	Spacer	116-501
5	1	Body (not sold separately)	
6	1	Duck Bill Housing	125-719
7*	1	Spring Retainer	116-502
8	1	A-B Recept. Encap.	230-834
9	1	Sleeve Assembly with Seals	209-555
10*	6	Seals	126-133
11*	6	Detent Assembly	210-122
12	1	Spacer	116-500
13	1	Gasket	113-512
14	2	Solenoid Capsule Assembly	See p. 16
15*	1	Gasket	113-502
16	2	Screw	127-797
17	2	Lockwasher	128-192
18*	1	Gasket	113-499
19*	1	Gasket	113-501
20	1	Solenoid Board Encap.	230-1135
21	4	3/64 Ball	121-142
22	2	Pilot Adaptor	119-601
23*	1	Gasket	113-513
24	2	M2 x 8mm Screw	127-829

* Indicates parts included in kit.

Valve Service Kits and Parts
Solenoid Air Pilot

Kit No. SPA4-K3*

(For Models 041BB5, 042BB5, 04DBB5)



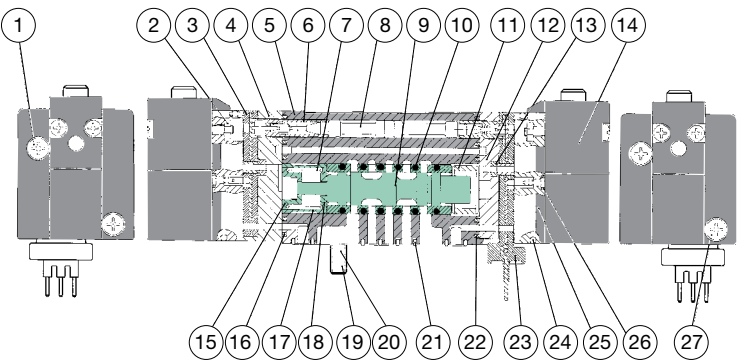
Parts List

Det. No.	No. Req'd	Part Name	Part No.
1	2	Screw	127-828
2	4	Hex. Nut	128-320
3	1	Solenoid Board Encap.	230-854
4	1	Spacer	116-501
5	1	Body (not sold separately)	
6	1	Duck Bill Housing	125-719
7*	1	Spring	115-291
8	1	A-B Recept Encap.	230-834
9	1	Sleeve Assembly with Seals	209-556
10*	6	Seals	126-133
11*	1	Bumper	114-171
12	1	Spacer	116-500
13*	2	Gasket	113-512
14	2	Solenoid Capsule Assembly	See p. 16
15*	1	Spring Retainer	116-396
16*	1	Gasket	113-502
17*	1	Spacer	116-397
18*	1	Spring Retainer	116-395
19	2	Screw	127-797
20	2	Lockwasher	128-192
21*	1	Gasket	113-499
22*	1	Gasket	113-501
23	1	Solenoid Board Encap.	230-1135
24	4	3/64 Ball	121-142
25	2	Pilot Adaptor	119-601
26	2	Gasket	113-513
27	2	Screw	127-829

* Indicates parts included in kit.

Kit No. SPA4-K3*

(For Models 041BB6, 042BB6, 04DBB6)



Parts List

Det. No.	No. Req'd	Part Name	Part No.
1	2	Screw	127-828
2	4	Hex. Nut	128-320
3	1	Solenoid Board Encap.	230-854
4	1	Spacer	116-501
5	1	Body (not sold separately)	
6	1	Duck Bill Housing	125-719
7*	1	Spring	115-291
8	1	A-B Recept Encap.	230-834
9	1	Sleeve Assembly with Seals	209-557
10*	6	Seals	126-133
11*	1	Bumper	114-171
12	1	Spacer	116-500
13*	2	Gasket	113-512
14	2	Solenoid Capsule Assembly	See p. 16
15*	1	Spring Retainer	116-396
16*	1	Gasket	113-502
17*	1	Spacer	116-397
18*	1	Spring Retainer	116-395
19	2	Screw	127-797
20	2	Lockwasher	128-192
21*	1	Gasket	113-499
22*	1	Gasket	113-501
23	1	Solenoid Board Encap.	230-1135
24	4	3/64 Ball	121-142
25	2	Pilot Adaptor	119-601
26	2	Gasket	113-513
27	2	Screw	127-829

* Indicates parts included in kit.



World Class Supplier of Pneumatic Components



World Headquarters

USA Numatics, Incorporated

46280 Dylan Drive
Novi, Michigan 48377

P: 248-596-3200
F: 248-596-3201

Canada Numatics, Ltd

P: 519-758-2700
F: 519-758-5540

México - Ascomatica SA de CV

P: 52 55 58 09 56 40 (DF y Area metropolitana)
P: 01 800 000 ASCO (2726) (Interior de la República)
F: 52 55 58 09 56 60

Brazil Ascoval Ind.e Comercio Ltda

P: (55) 11-4208-1700
F: (55) 11-4195-3970