

numatics®

Lockout Valves



www.numatics.com

Lockout Valve Series

Features and Benefits	3
Inline/Modular Lockout and Slo Start™ Valves VL / VT32 Series	4
Inline Lockout and Slo Start™ Valves VL / VT40 Series	5
Inline/Modular Lockout and Slo Start™ Valves VL / VT42 Series	6
Inline Lockout and Slo Start™ Valves VL / VT52 Series	7
Shut Off Valves VSL32 Series	8
Shut Off Valves VSL42 Series	9
Accessories: Mufflers and Scissor "Trades" Lock	10

Numatics Lockout and Shut Off Valves



Lockout valves prevent unauthorized pressurization of an air system during service or maintenance. Numatics lockout valves employ a unique, one piece center spool design that accommodates a user-supplied padlock in the closed position. When locked in the closed position, the system controlled by the lockout valve cannot be operated until the padlock is removed. Numatics lockout valves are available in several different designs, including standard manual full flow quick exhaust (VL Series - yellow body), Slo-Start™ full flow quick exhaust (VT Series - yellow body) and the Shut-Off Valve (VSL Series - grey body). The Shut-Off Valve (VSL Series - grey body) has a restricted exhaust and is typically used at the beginning of the FRL assembly. The addition of the Slo-Start™ feature to the lockouts allows for the downstream pressure to gradually increase prior to opening to a full flow condition.

VL / VT Series Lockout Valves

Recommended use:

Install the **Lockout Valve downstream** of FRL assembly or selected air preparation components so its exhaust capacity is not restricted by any upstream components.

Features:

- VL Series: Standard Manual Lockout Valve
- VT Series: Manual Lockout Valve with Slo-Start™ feature
- Emergency shut off – Full flow quick exhaust of downstream pressure
- Meets OSHA specifications
- Bright Yellow body with Red knob is easily identified as a lockout device
- Integrated hole in valve spool for Scissor “Trades” lock
- Robust heavy duty construction
- Slo-Start™ feature allows operator to turn spool counter clock wise to “ON” position gradually ramping up downstream pressure, prolonging the life of pneumatic components

VSL Series Shut Off Valves

Recommended use:

Install the **Shut Off Valve upstream** of an FRL assembly or selected air preparation components. Restricted exhaust capacity prevents potential damage to FRL or air preparation components due to excessive pressure drop in the reverse flow direction. Provides a method to exhaust FRL or air preparation assembly, when components require service.

Features:

- Shut Off Valve – Restricted flow exhaust of downstream pressure
- Meets OSHA specifications
- Grey body with Red knob
- Integrated hole in valve spool for Scissor “Trades” lock
- Robust heavy duty construction

VSL32 Series Shut Off Valve - Restricted Exhaust

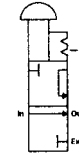
- Detented spool
- Low-friction startup
- Meets OSHA specifications
- Surface mountable
- Modular adaptable to 32 series FRL assemblies
- Grey body with red knob

Specifications

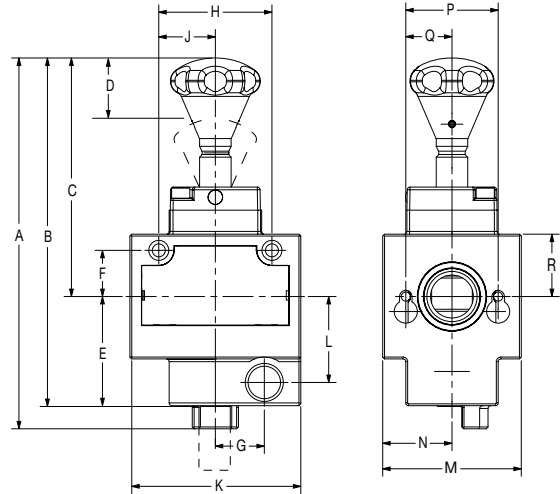
Temperature Range: 40° F to 120° F (4° C to 50° C)
 Maximum Pressure: 150 PSIG (10 bar)
 Flow Media: Filtered air
 Body Material: Aluminum
 Weight: VSL32 Series: 2.70 lbs (1.23 kg)

Cv Ratings

Model Number	Cv In-Out	Cv Out-Exh
VSL32-04	6.0	0.3
VSL32-06	8.3	0.3



ANSI SYMBOL

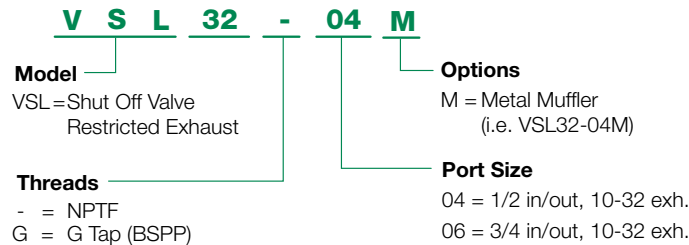


Dimensions: Inches (mm)

Model	A	B	C	D	E	F	G	H
VSL32	8.03 (204.0)	7.55 (191.8)	5.17 (131.3)	.960 (24.4)	2.36 (59.9)	1.0 (25.4)	1.06 (26.9)	8.03 (62.2)

	J	K	L	M	N	P	Q	R
VSL32	1.225 (31.1)	3.66 (93.0)	1.86 (47.2)	3.00 (76.2)	1.50 (38.1)	2.00 (50.8)	1.00 (25.4)	1.350 (34.3)

How To Order - Shut Off Valve



VSL42 Series Shut Off Valve - Restricted Exhaust

- Detented spool
- Low-friction startup
- Surface mountable
- Modular adaptable to 42 series FRL assemblies
- Grey body with red knob



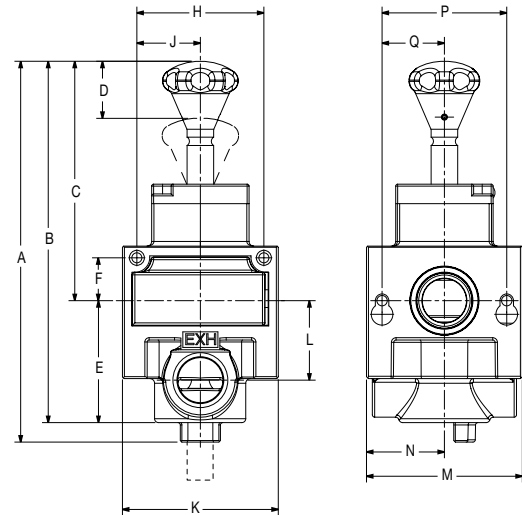
ANSI SYMBOL

Specifications

Temperature Range: 40° F to 120° F (4° C to 50° C)
 Maximum Pressure: 250 PSIG (17 bar)
 Flow Media: Filtered air
 Body Material: Aluminum
 Weight: VSL42 Series: 4.95 lbs (2.25 kg)

Cv Ratings

Model Number	Cv In-Out	Cv Out-Exh
VSL42-06	11.5	0.3
VSL42-08	12.5	0.3

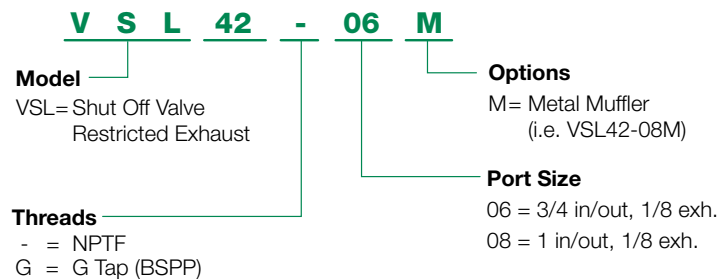


Dimensions: Inches (mm)

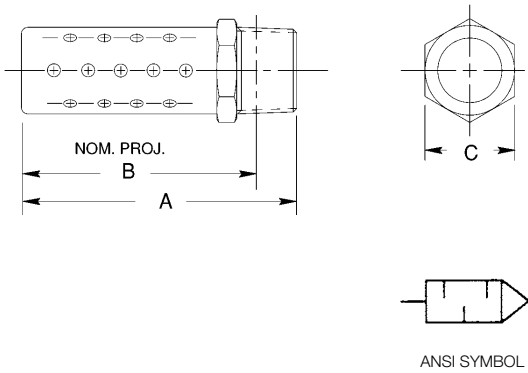
Model	A	B	C	D	E	F	G	H
VSL42	9.78 (248.4)	9.28 (235.7)	6.1 (154.9)	1.34 (34.0)	3.13 (80.0)	1.10 (28.0)	0.00 (0.0)	3.26 (83.5)

	J	K	L	M	N	P	Q
VSL42	1.63 (41.0)	4.00 (102.0)	2.04 (52.0)	4.00 (102.0)	2.00 (51.0)	3.20 (81.0)	1.60 (41.0)

How To Order - Shut Off Valve



M Series Metal Air Silencers



Dimensions: Inches (mm)

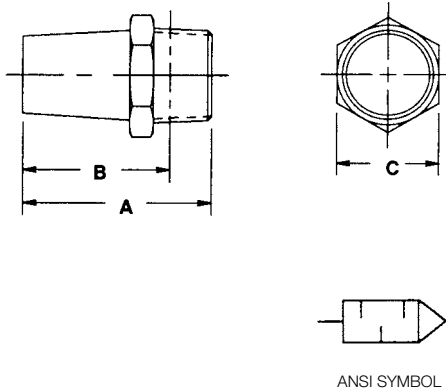
NPTF Male Dimensions

Model	NPTF	A	B	C	cv
M1MN	1/8	1.38 (34.9)	1.22 (31.0)	0.44 (11.1)	1.17
M2MN	1/4	1.75 (44.5)	1.53 (38.9)	0.56 (14.3)	2.54
M3MN	3/8	2.25 (57.2)	2.00 (50.8)	0.69 (17.5)	5.08
M4MN	1/2	2.72 (69.1)	2.41 (61.1)	0.88 (22.2)	7.32
M5MN	3/4	3.16 (80.2)	2.81 (71.4)	1.06 (27.0)	13.87
M6MN	1	3.88 (98.4)	3.47 (88.1)	1.31 (33.3)	19.53
M7MN	1 1/4	4.50 (114.3)	4.16 (105.6)	1.69 (42.9)	28.32
M8MN	1 1/2	5.00 (127.0)	4.59 (116.7)	2.00 (50.8)	38.09
M9MN	2	5.50 (139.7)	5.06 (128.6)	2.38 (60.3)	52.73

BSPT Male Dimensions

Model	BSPT	A	B	C	cv
M1MB	1/8	1.38 (34.9)	1.22 (31.0)	0.44 (11.1)	1.17
M2MB	1/4	1.75 (44.5)	1.53 (38.9)	0.56 (14.3)	2.54
M3MB	3/8	2.25 (57.2)	2.00 (50.8)	0.69 (17.5)	5.08
M4MB	1/2	2.72 (69.1)	2.41 (61.1)	0.88 (22.2)	7.32
M5MB	3/4	3.16 (80.2)	2.81 (71.4)	1.06 (27.0)	13.87
M6MB	1	3.88 (98.4)	3.47 (88.1)	1.31 (33.3)	19.53

P Series Porous Bronze Air Silencers



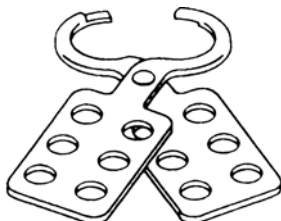
NPTF Male Dimensions

Model	NPTF	A	B	C	cv
P0MN	10-32	0.75 (19.1)	0.62 (15.7)	0.38 (9.5)	0.23
P1MN	1/8	0.84 (21.4)	0.69 (17.5)	0.44 (11.1)	1.07
P2MN	1/4	1.20 (30.6)	0.97 (24.6)	0.56 (14.3)	1.78
P3MN	3/8	1.45 (36.7)	1.20 (30.6)	0.69 (17.5)	2.30
P4MN	1/2	1.89 (48.0)	1.58 (40.1)	0.88 (22.2)	5.66
P5MN	3/4	2.12 (54.0)	1.78 (45.2)	1.06 (27.0)	9.67
P6MN	1	2.84 (72.2)	2.44 (61.9)	1.31 (33.3)	14.06
P7MN	1 1/4	3.44 (87.3)	3.00 (76.2)	1.69 (42.9)	20.51
P8MN	1 1/2	4.00 (101.6)	3.56 (90.5)	2.00 (50.8)	29.10
P9MN	2	4.75 (120.7)	4.31 (109.5)	2.38 (60.3)	44.92

BSPT Male Dimensions

Model	BSPT	A	B	C	cv
P1MB	1/8	0.84 (21.3)	0.69 (17.5)	0.44 (11.1)	1.07
P2MB	1/4	1.20 (30.5)	0.97 (24.6)	0.56 (14.3)	1.78
P3MB	3/8	1.45 (36.8)	1.20 (30.5)	0.69 (17.5)	2.30
P4MB	1/2	1.89 (48.0)	1.58 (40.1)	0.88 (22.2)	5.66
P5MB	3/4	2.12 (53.9)	1.78 (45.2)	1.06 (27.0)	9.67
P6MB	1	2.84 (72.1)	2.44 (62.0)	1.31 (33.3)	14.06

Scissor "Trades" Lock



The Scissor or "Trades" Lock clips into the lockout valve and can be locked with up to six locks, allowing maximum security.

Model
VB-1



World Class Supplier of Pneumatic Components



World Headquarters

USA Numatics, Incorporated

46280 Dylan Drive
Novi, Michigan 48377

P: 248-596-3200
F: 248-596-3201

Canada Numatics, Ltd

P: 519-758-2700
F: 519-758-5540

México - Ascomatica SA de CV

P: 52 55 58 09 56 40 (DF y Area metropolitana)
P: 01 800 000 ASCO (2726) (Interior de la República)
F: 52 55 58 09 56 60

Brazil Ascoval Ind.e Comercio Ltda

P: (55) 11-4208-1700
F: (55) 11-4195-3970