

# NUMATICS®

## 70 & 72 Series



[www.numatics.com](http://www.numatics.com)

  
**EMERSON**  
Industrial Automation

**70 & 72 Series**

Features and Benefits	3
Particulate Filter - 72 Series	4
Coalescing Filter - 72 Series	5
Regulator - 72 Series	6
Particulate Filter/Regulator - 72 Series	7
Coalescing Filter/Regulator - 72 Series	8
Particulate Filter - 70 Series	9
Coalescing Filter - 70 Series	10
Regulator - 70 Series	11
Particulate Filter/Regulator - 70 Series	12
Lubricator - 70 Series	13
Replacement Parts and Kits	14



**70 & 72 Series**

**Stainless Steel Series**

- Two Series Available – High Flow and Miniature
- 316 Stainless Steel Construction
- Two port sizes (1/4 & 1/2)
- FKM Seals
- 5 Micron Filter Element
- Three Grades Coalescing - One Adsorbing
- Meets NACE Specifications
- High Flow in a Compact Size

## F70B Series

- 316 Stainless Steel Body Construction
- All Seals Made of Fluorocarbon (FKM)
- 5 Micron Element Standard
- Meets NACE Specifications

## Specifications

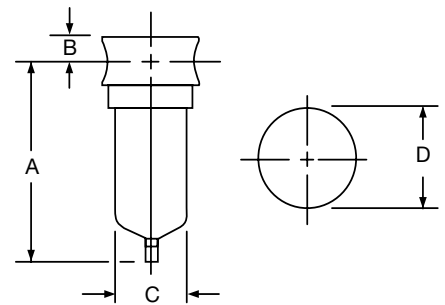
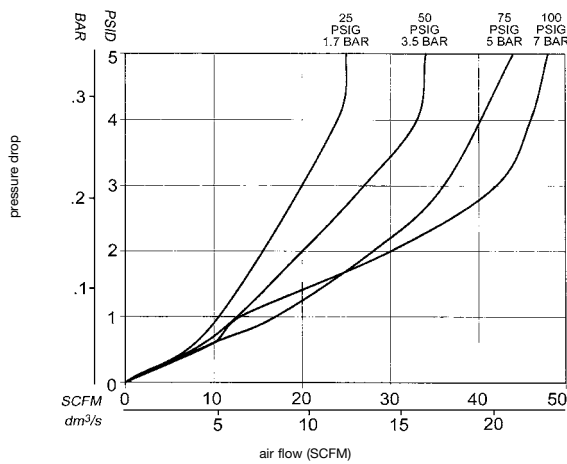
Temperature Range °F (°C): 40° - 180° (4° - 82°)  
 Max. Operating Pressure PSIG (BAR): 300 (20)  
 Weight, lbs. (kg.): 1.88 (.85)  
 Element: Sintered Polypropylene



ANSI SYMBOL



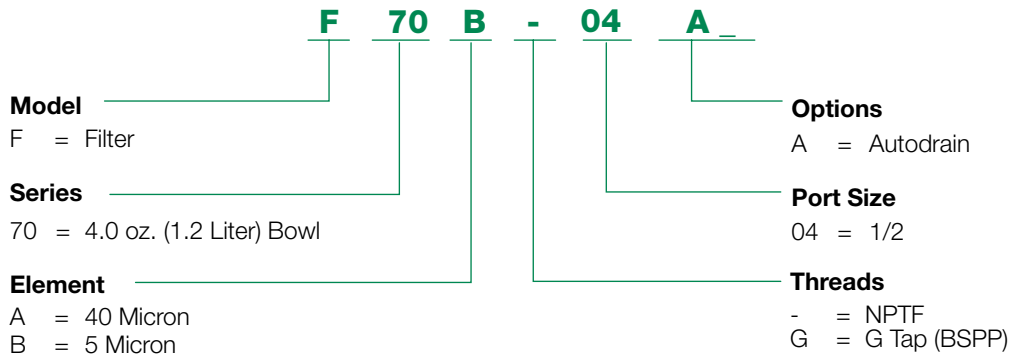
## Flow Ratings (based on 100 PSI inlet)



Dimensions: Inches (mm)

Series	A	B	C	D
70	5.00 (127.0)	0.56 (14.0)	1.75 (44.0)	2.38 (60.0)

## How To Order



**F70D Series**

- 316 Stainless Steel Body Construction
- Complete Coalescing Filter Line
- All Seals Made of Fluorocarbon (FKM)
- Meets NACE Specifications

**Specifications**

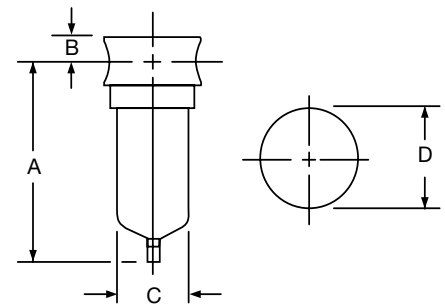
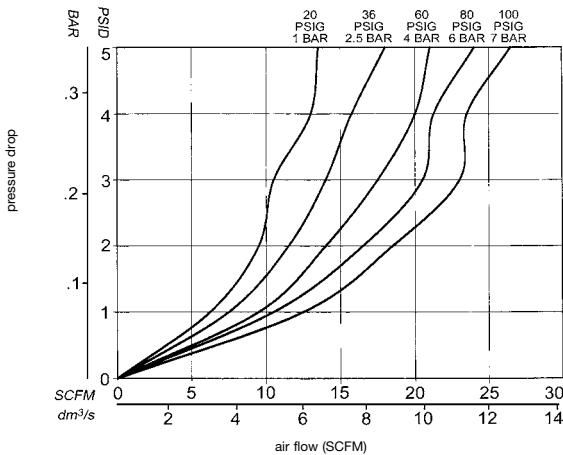
Temperature Range °F (°C): 40° - 180° (4° - 82°)  
 Max. Operating Pressure PSIG (BAR): 300 (20)  
 Weight, lbs. (kg.): 1.88 (.85)



ANSI SYMBOL



**Flow Ratings** (based on 100 PSI inlet)



**Dimensions: Inches (mm)**

Series	A	B	C	D
70	5.00 (127.0)	0.56 (14.0)	1.75 (44.0)	2.38 (60.0)

**How To Order**

**F 70 D - 04 A**

**Model**  
 F = Filter

**Series**  
 70 = 4.0 oz. (1.2 Liter) Bowl Capacity

**Element**  
 C = 0.7 Micron Coarse coalescer  
 D = 0.3 Micron Fine coalescer  
 E = 0.01 Micron Ultra Fine coalescer  
 F = Vapor adsorber

**Options**  
 A = Autodrain  
 D = 3 Micron Internal Pleated Prefilter

**Port Size**  
 04 = 1/2

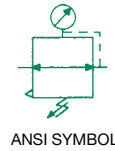
**Threads**  
 - = NPTF  
 G = G Tap (BSPP)

### R70 Series

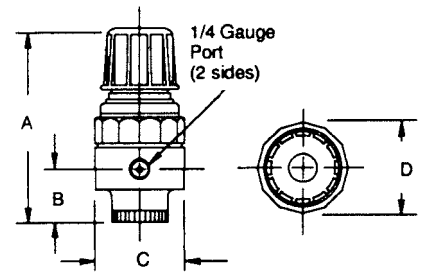
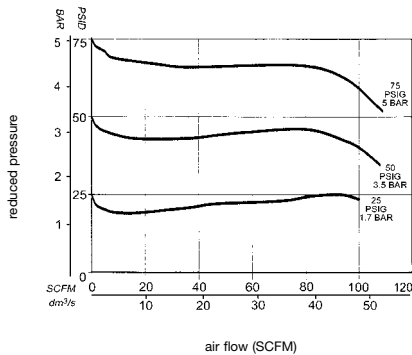
- 316 Stainless Steel Body Construction
- All Seals Made of Fluorocarbon (FKM)
- 0-125 PSI Standard
- Meets NACE Specifications

### Specifications

Temperature Range °F (°C): 40° to 150° (4° to 65°)  
 Max. Operating Pressure PSIG (BAR): 350 (24)  
 Weight, lbs. (kg.): 1.79 (.81)



### Flow Ratings (based on 100 PSI inlet)



### Dimensions: Inches (mm)

Series	A	B	C	D
70	4.94 (125.0)	1.38 (35.0)	2.31 (59.0)	2.44 (62.0)

### How To Order

**R 70 R - 04 G**

**Model**  
 R = Regulator

**Series**  
 70

**Element**  
 N = Non-Relieving  
 R = Relieving (Standard)

**Options**  
 G = Regulator Gauge  
 H = 0-250 PSI  
 P = Regulator Panel Unit

**Port Size**  
 04 = 1/2

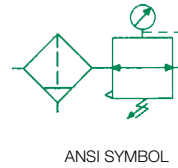
**Threads**  
 - = NPTF  
 G = G Tap (BSPP)

## P70 Series

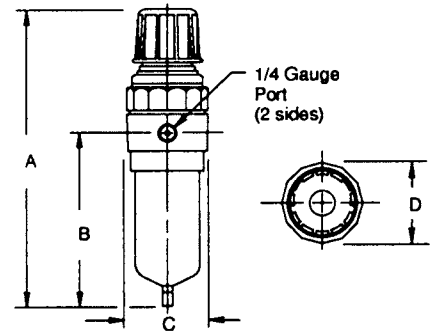
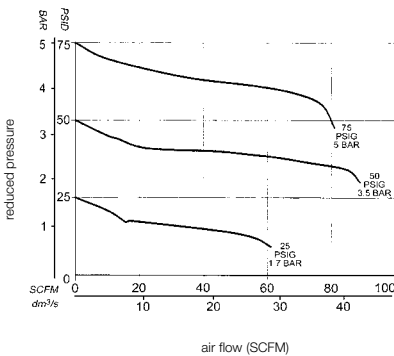
- 316 Stainless Steel Body Construction
- All Seals Made of Fluorocarbon (FKM)
- 0-125 PSI Standard
- Meets NACE Specifications

## Specifications

Temperature Range °F (°C): 40° to 180° (4° to 82°)  
 Max. Operating Pressure PSIG (BAR): 300 (20)  
 Weight, lbs. (kg.): 2.43 (1.1)  
 Element: Sintered Polypropylene



## Flow Ratings (based on 100 PSI inlet)



## Dimensions: Inches (mm)

Series	A	B	C	D
70	8.50 (216.0)	4.94 (125.0)	2.38 (60.0)	2.44 (62.0)

## How To Order

**P 70 B - 04 H**

**Model**  
 P = Filter/Regulator (Piggyback)

**Series**  
 70 = 4.0 oz. (.12 Liter) Bowl Capacity

**Element**  
 A = 40 Micron  
 B = 5 Micron

**Options**  
 A = Autodrain  
 H = 0-250 PSI  
 N = Non-Relieving

**Port Size**  
 04 = 1/2

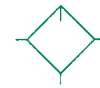
**Threads**  
 - = NPTF  
 G = G Tap (BSPP)

### L70L Series

- 316 Stainless Steel Body Construction
- All Seals Made of Fluorocarbon (FKM)
- Meets NACE Specifications

### Specifications

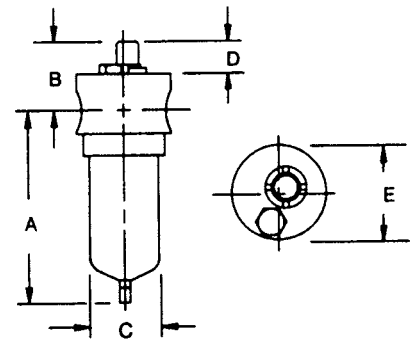
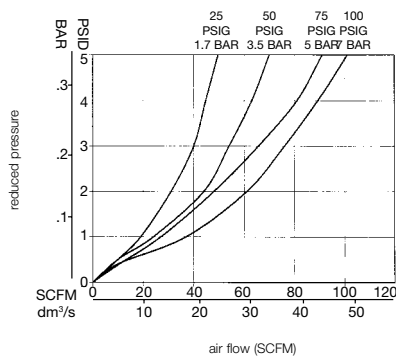
Temperature Range °F (°C): 40° to 150° (4° to 65°)  
 Max. Operating Pressure PSIG (BAR): 350 (24)  
 Weight, lbs. (kg.): 1.79 (.81)



ANSI SYMBOL



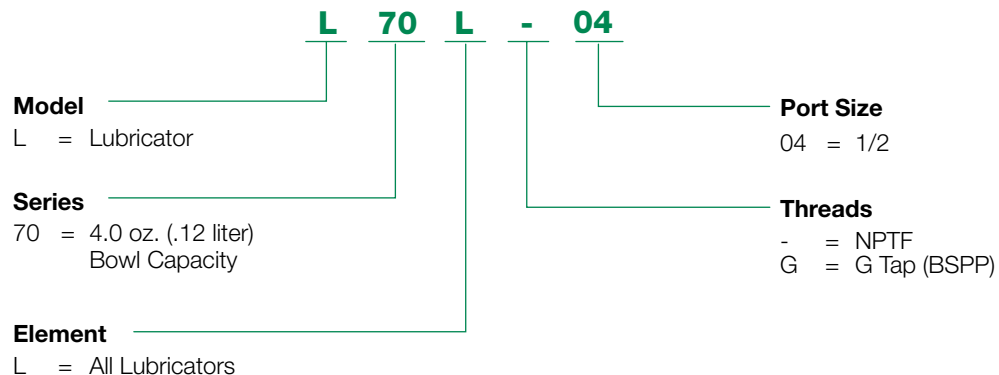
### Flow Ratings (based on 100 PSI inlet)



### Dimensions: Inches (mm)

Series	A	B	C	D	E
70	5.00 (126.0)	1.81 (46.0)	1.75 (45.0)	0.94 (24.0)	2.38 (60.0)

### How To Order





**70 Series Stainless Steel Particulate Filter**

<b>Element Replacement Kits</b>	
<b>includes filter element only</b>	
<b>Kit #</b>	<b>Description</b>
EKF20A	40 micron element
EKF20B	5 micron element

**70 Series Stainless Steel Coalescing Filter**

<b>Element Replacement Kits</b>	
<b>includes filter element only</b>	
<b>Kit #</b>	<b>Description</b>
EKF20C	0.7 micron element
EKF20CD	0.7 micron element with prefilter
EKF20D	0.3 micron element
EKF20DD	0.3 micron element with prefilter
EKF20E	0.1 micron element
EKF20ED	0.1 micron element with prefilter
EKF20F	adsorbing element

**70 Series Stainless Steel Regulator**

<b>Regulator Repair Kits</b>	
<b>Kit #</b>	<b>Description</b>
RKC70	cage kit (inc. adjustment knob and spring cage)
RKR70R	(inc. relieving diaphragm and inner valve)
RKR70N	(inc. non-relieving diaphragm and inner valve)

**70 Series Stainless Steel Lubricator**

<b>Lubricator Repair Kits</b>	
<b>includes adjustment assembly</b>	
<b>Kit #</b>	<b>Description</b>
RKL70	lubricator repair kit

**72 Series Stainless Steel Particulate Filter**

<b>Element Replacement Kits</b>	
<b>includes filter element only</b>	
<b>Kit #</b>	<b>Description</b>
EKF12A	40 micron element
EKF12B	5 micron element

**72 Series Stainless Steel Coalescing Filter**

<b>Element Replacement Kits</b>	
<b>includes filter element only</b>	
<b>Kit #</b>	<b>Description</b>
EKF12C	0.7 micron element
EKF12CD	0.7 micron element with prefilter
EKF12D	0.3 micron element
EKF12DD	0.3 micron element with prefilter
EKF12E	0.001 micron element
EKF12ED	0.001 micron element with prefilter
EKF12F	adsorbing element



World Class Supplier of Pneumatic Components



## World Headquarters

### **USA Numatics, Incorporated**

46280 Dylan Drive  
Novi, Michigan 48377

P: 248-596-3200  
F: 248-596-3201

### **Canada Numatics, Ltd**

P: 519-758-2700  
F: 519-758-5540

### **México - Ascomatica SA de CV**

P: 52 55 58 09 56 40 (DF y Area metropolitana)  
P: 01 800 000 ASCO (2726) (Interior de la República)  
F: 52 55 58 09 56 60

### **Brazil Ascoval Ind.e Comercio Ltda**

P: (55) 11-4208-1700  
F: (55) 11-4195-3970