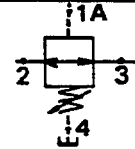


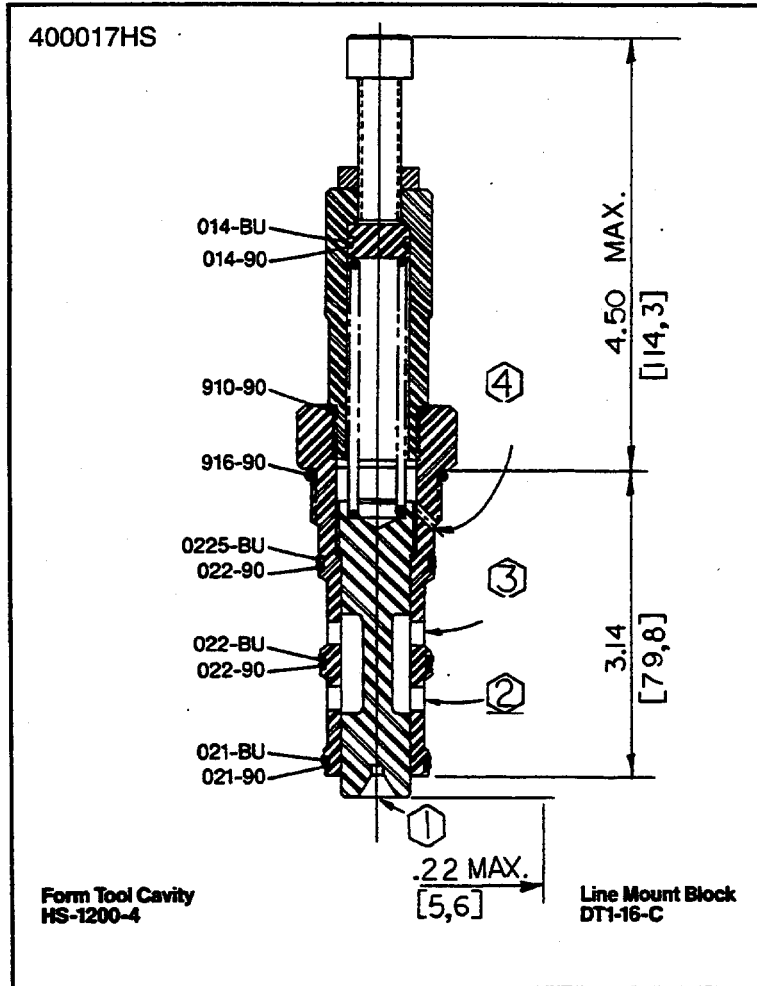
39 USGPM  $\Delta$  100 PSI  
(147,8 LPM  $\Delta$  6,9 Bar)

### HSU01200-DA



Data Sheet

Direct Acting External, Operated Normally Open, Sequence Valve



### Application

The HSUO-DA sequence valve disconnects primary and secondary system branches after the pressure requirement in a third branch has been satisfied.

### Operation

As the pressure at port 1 overcomes the spring resistance, it moves the main spool to block port from 3. Because the spring chamber is connected (separately) to drain, back pressure at operating ports will not alter resistance.

### Features

Direct acting for fast accurate response, several pressure ranges available, constructed of steel parts, operating parts are hardened and ground as required. Cartridge is designed for easy service and field repair.

### Specifications

Rated flow to—57 USgpm  $\Delta$  200 psi  
(215,8 lpm  $\Delta$  13,8 bar)

Maximum operating pressure—  
5000 psi (345 bar)

Adjustable pressure range—See "How To Order"

Viscosity range—27-30 SSU at 100°F  
35-2000 SSU at 100°F

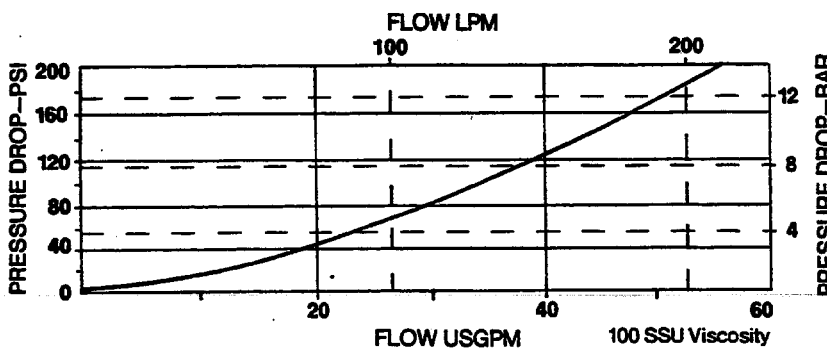
Seals—Viton

Operating temperature—-40°F to 350°F  
(-39,6°C to 175°C)

Filtration—Maintain SAE Class 6, ISO 18/15

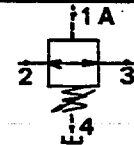
Seal kit—HSSK-1200-D

### Performance Curve



39 USGPM Δ 100 PSI  
(147,8 LPM Δ 6,9 Bar)

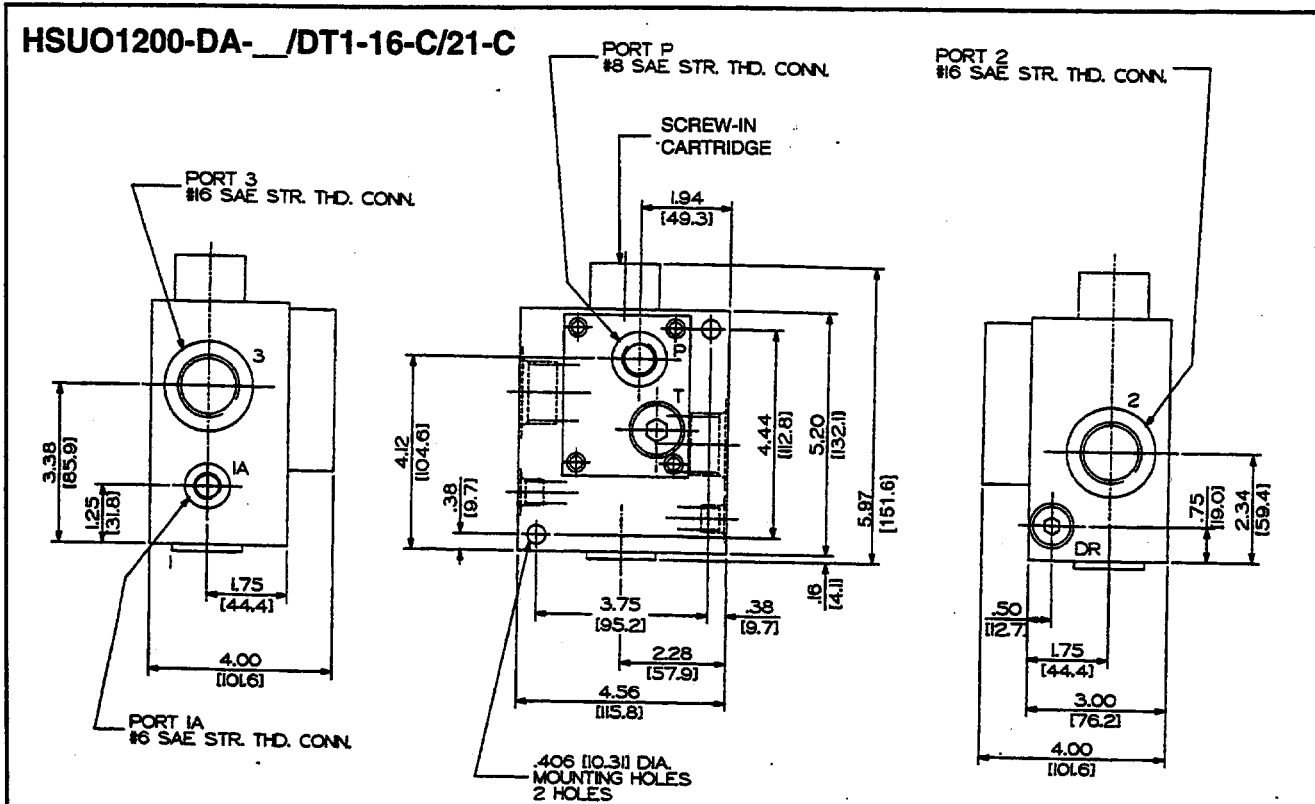
### HSUO1200-DA



Data Sheet

Direct Acting External, Operated Normally Open, Sequence Valve

### Line Mount Specifications



### How To Order

#### Screw-In Cartridge Only

HSUO1200-DA-

	Pressure Range	
	psi	bar
06	25- 60	1,7- 4,1
1	50-100	3,5- 6,9
2	120-200	8,3-13,8
3	185-300	12,8-20,7

#### Cartridge With Line Mount Block

HSUO1200-DA-\_/DT1-16-C/21-C