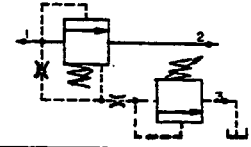


41 USGPM Δ 100 PSI
(155,4 LPM Δ 6,9 Bar)

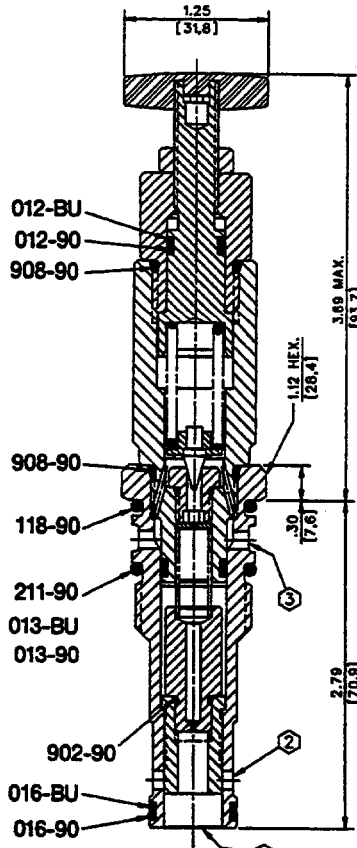
HSS801-P



Data Sheet

Piloted Sequence Valve

400824HS



Form Tool Cavity
HSPR-800-3

Line Mount Block
CJ1-10-C

Application

The HSS pilot operated sequence valve is used for very precise sequential (pressure) operation in systems where amount of flow may vary. It can also be used as a relief valve where back pressure exists in exhaust line (provided port 3 is connected directly to reservoir).

Operation

Inlet pressure is ported thru orifices in the center of the valve spool to the pilot relief valve (in upper portion of the body). When inlet pressure exceeds this valve's setting pressure on top side of the main spool is relieved (thru port 3), a pressure imbalance then exists across the main spool and port 1 pressure raises the main spool to allow flow to port 2, allowing operation of a secondary system or flow to drain. Because port 2 is separate from port 3, any back pressure at port 2 does not add to the setting of the pilot valve spring and alter pressure setting.

Features

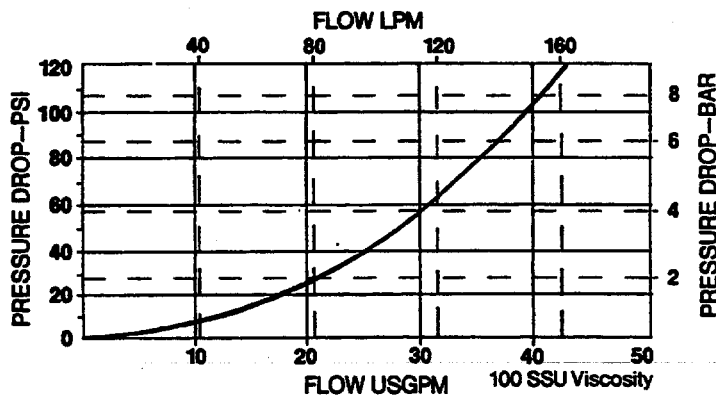
HSS cartridge valve is constructed of steel parts all operating parts are hardened and ground as required. Cartridge is designed for easy service or field repair. Several ranges of adjustable pressure are offered.

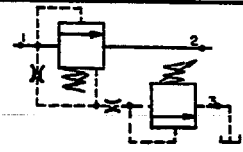
Specifications

Rated flow to—41 USgpm (155,4 lpm)
Maximum operating pressure—
5000 psi (345 bar)
Adjustable pressure range—See "How To Order"
Viscosity range—27-30 SSU at 100°F
35-2000 SSU at 100°F

Seals—Viton
Operating temperature—-40°F to 350°F
(-39,6°C to 175°C)
Filtration—Maintain SAE Class 6, ISO 18/15
Seal kit—HSSK-800-C

Performance Curve



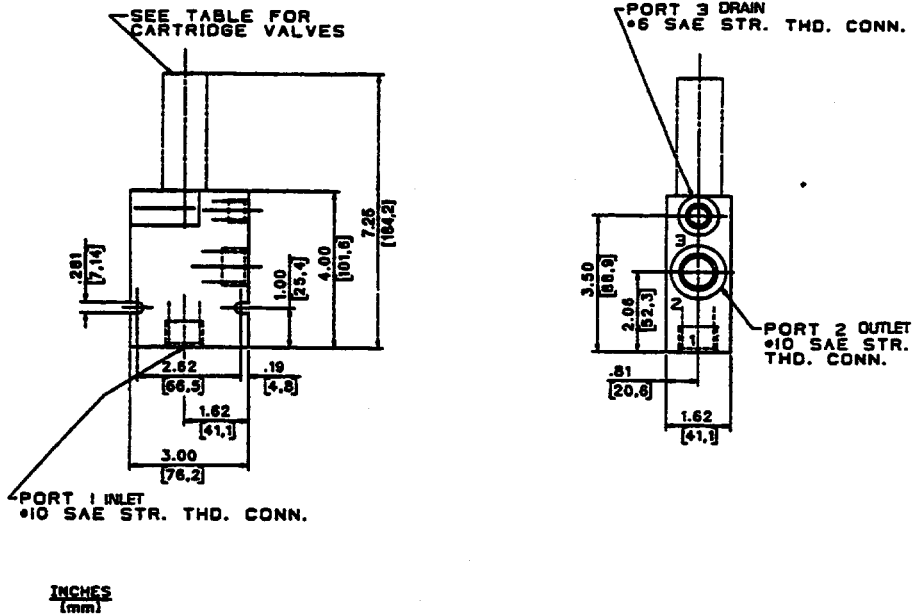


Data Sheet

Piloted Sequence Valve

Line Mount Specifications

HSS801-P/CJ1-10-C



How To Order

Screw-In Cartridge Only

HSS801-P-_____

	Pressure Range	
	psi	bar
07	50- 700	3,4- 48
20	50-2000	3,4-138
35	50-3500	3,4-241
50	50-5000	3,4-345

Note: All adjusting screw options on DS 82550-1B are available for this valve.

Cartridge With Line Mount Block

HSS801-P-___/CJ1-10-C