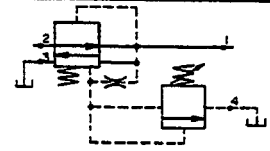


19 USGPM Δ 100 PSI
(72,0 LPM Δ 6,9 Bar)

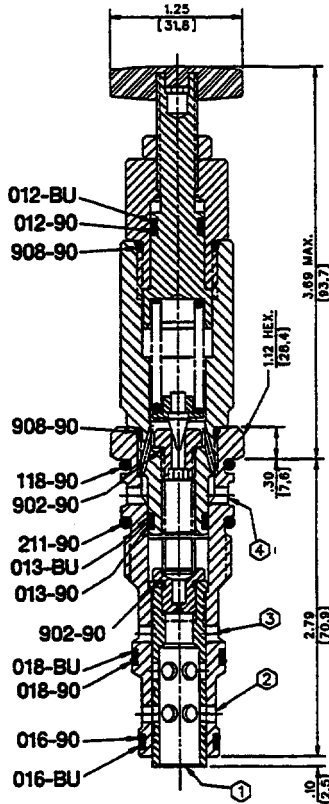
HSPRR801-P



Data Sheet

Pressure Reducing & Relieving Valve

400825HS



Form Tool Cavity
HS-800-4

Line Mount Block
CM1-10-C

Application

The HSPRR valve is used to provide and maintain a regulated pressure (to a secondary circuit) that is lower than the supply pressure. The valve also provides a relief function for the regulated circuit at a pressure slightly (approximately 3%) above the reduced pressure setting.

Operation

Outlet (port 1) pressure is transmitted thru an orifice in the center of the spool to the pilot relief valve (in upper portion of the body). When outlet pressure exceeds this valve setting, pressure on the top side of the main spool and sleeve is relieved (thru port 4), a pressure imbalance then exists across the main spool. The main spool and sleeve tend to rise and throttle or shut-off flow between ports 2 and 1. If pressure in secondary circuit (port 1) which is now shut-off from main circuit (port 2), rises above the relief valve setting, the pressure on the top side of the spool is relieved again (thru port 4) again creating a pressure imbalance across the main spool and pressure at port 1 pushes the main spool and sleeve higher in the body until port 1 is connected thru the sleeve to (tank) port 3. Note: that in this position port 2 remains blocked.

Features

Two valve function from one low cost cartridge. Several pressure ranges available with this high accuracy pilot operated design. Constructed of steel parts and operating parts are hardened as required. Cartridge is designed for easy service or field repair.

Specifications

Rated flow to—33 USgpm Δ 300 psi
(125 lpm Δ 20,7 bar)

Maximum operating pressure—
5000 psi (345 bar)

Adjustable pressure range—Depends on pressure range selected. See "How To Order"

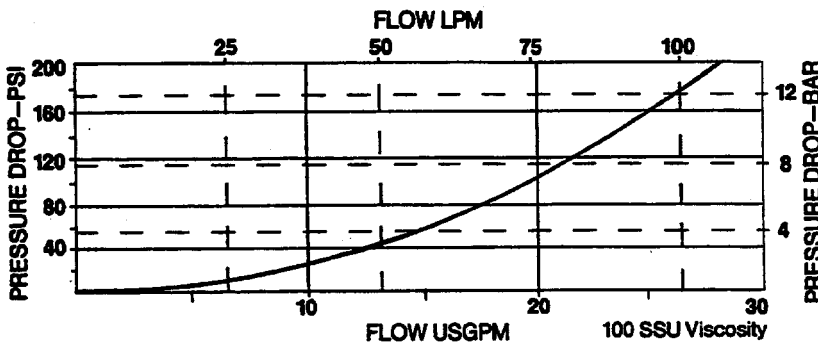
Viscosity range—27-30 SSU at 100°F
35-2000 SSU at 100°F

Seals—Viton

Operating temperature—-40°F to 350°F
(-39,6°C to 175°C)

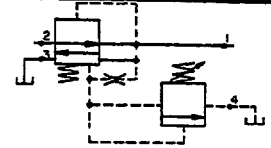
Filtration—Maintain SAE Class 6, ISO 18/15
Seal kit—HSSK-800-D

Performance Curve



19 USGPM Δ 100 PSI
(72,0 LPM Δ 6,9 Bar)

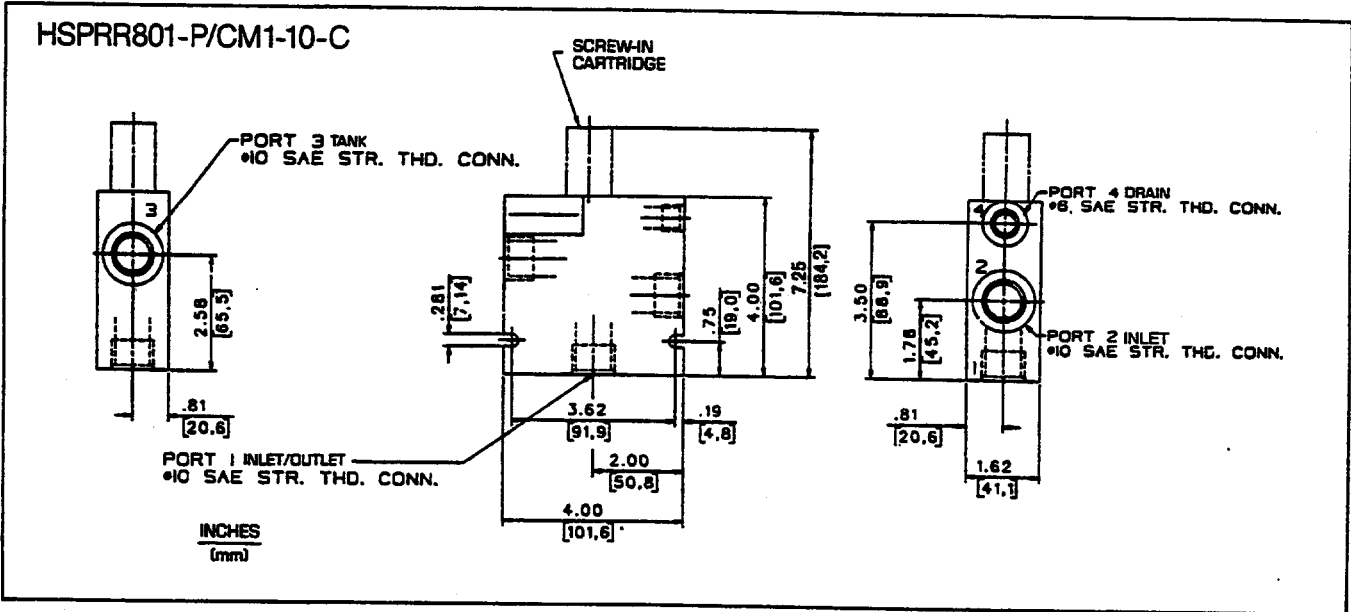
HSPRR801-P



Data Sheet

Pressure Reducing & Relieving Valve

Line Mount Specifications



How To Order

Screw-In Cartridge Only

HSPRR801-P-

	Pressure Range	
	psi	bar
07	50- 700	3,4- 48
20	50-2000	3,4-138
35	50-3500	3,4-241
50	50-5000	3,4-345

Cartridge With Line Mount Block

HSPRR801-P-_/CM1-10-C