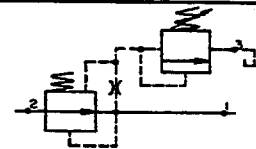


22 USGPM Δ 100 PSI
(83,4 LPM Δ 6,9 Bar)

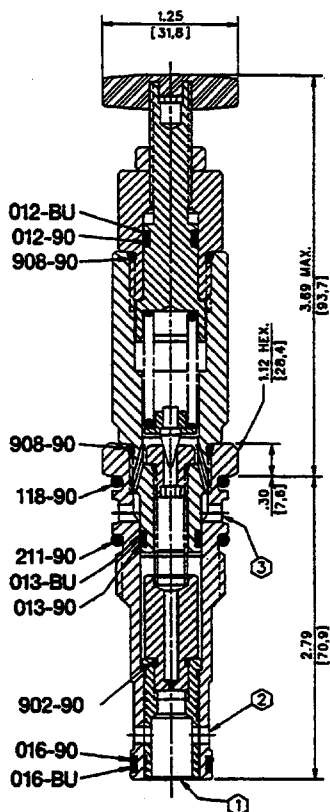
HSPR801-P



Data Sheet

Piloted Sleeve Pressure Reducing Valve

400826HS



Form Tool Cavity
HSPR-800-3

Line Mount Block
CJ1-10-C

Application

The HSPR valve regulates and maintains reduced pressure (from the main hydraulic system) in a secondary circuit.

Operation

Outlet (port 1) pressure is transmitted thru an orifice in the center of the valve to the pilot relief valve (in upper portion of the body). When outlet pressure exceeds this valve setting, pressure on top side of the spool is relieved (thru port 3), a pressure imbalance then exists across the main spool. The main spool and sleeve tend to move and throttle or shut off flow between ports 2 and 1. If pressure in the secondary system drops, the pilot valve reseats, the main spool is again balanced and spring forces main spool and sleeve downward and allows flow again from port 2 to port 1.

Features

Several pressure ranges are available for this high accuracy pilot operated design. HSPR cartridge valve is constructed of steel parts and all operating parts are hardened as required. Cartridge is designed for easy service or field repair.

Specifications

Rated flow to—36 USgpm Δ 280 psi
(1364 lpm Δ 19,3 bar)

Maximum operating pressure—
5000 psi (345 bar)

Adjustable pressure range—See "How To Order"

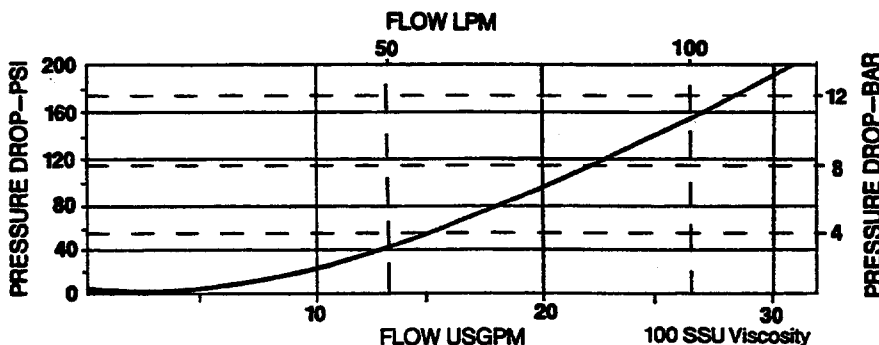
Viscosity range—27-30 SSU at 100°F
35-2000 SSU at 100°F

Seals—Viton

Operating temperature—-40°F to 350°F
(-39,6°C to 175°C)

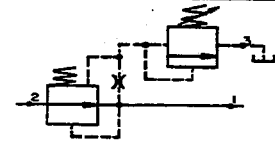
Filtration—Maintain SAE Class 6, ISO 18/15
Seal kit—HSSK-800-C

Performance Curve



22 USGPM Δ 100 PSI
(83,4 LPM Δ 6,9 Bar)

HSPR801-P

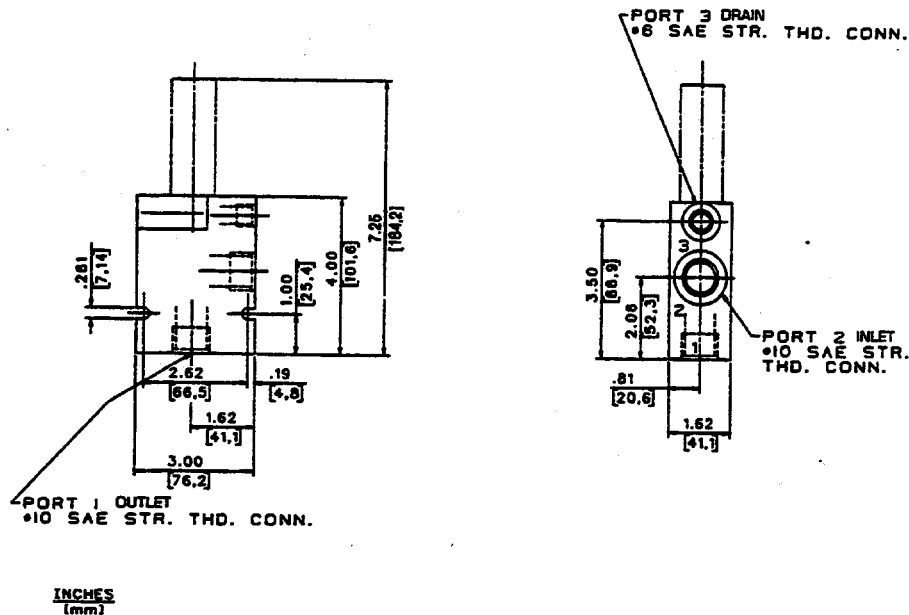


Data Sheet

Piloted Sleeve Pressure Reducing Valve

Line Mount Specifications

HSPR801-P/CJ1-10-C



How To Order

Screw-In Cartridge Only

HSPR801-P-

	Pressure Range	
	psi	bar
07	50- 700	3,4- 48
20	50-2000	3,4-138
35	50-3500	3,4-241
50	50-5000	3,4-345

Cartridge With Line Mount Block

HSPR801-P-_/CJ1-10-C