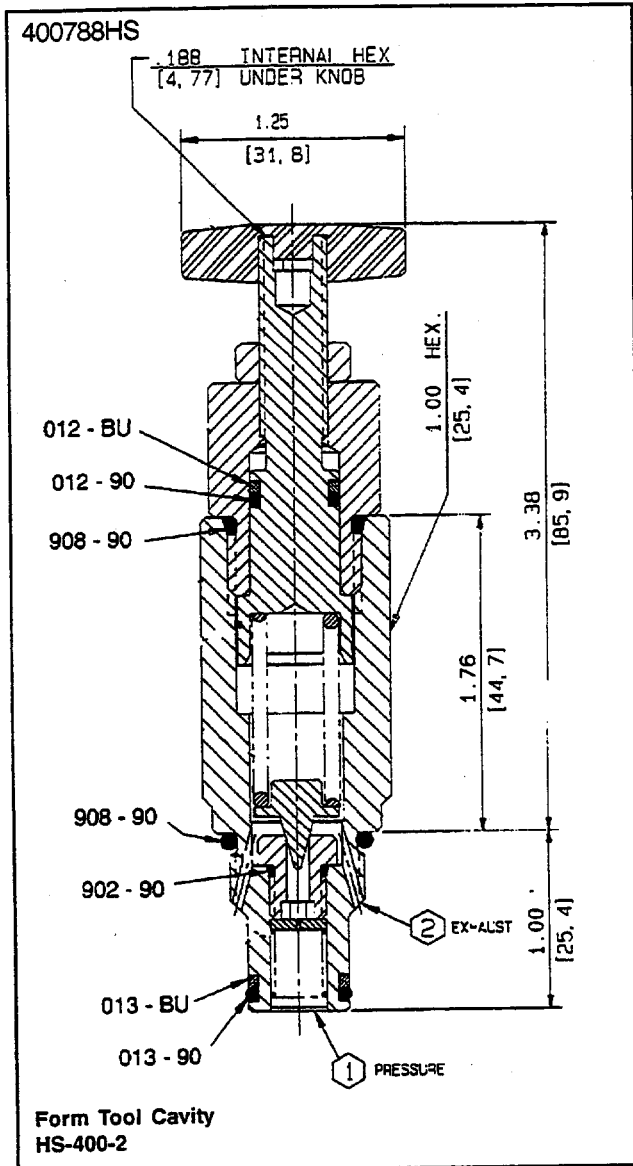


Data Sheet

Relief Valve, Direct Acting



Application

The HSLR is a flow adjustable relief valve used for pilot control of relief, pressure reducing, sequence, or any other type of pressure control valve.

Operation

Inlet pressure (at port 1) passes thru a stability orifice in the center of the valve. When pressure on the exposed face of the poppet exceeds that of the adjustable spring tension, holding the poppet on the seat, the valve opens and allows flow from port 1 to port 2. When pressure drops, the poppet re-seats and flow stops.

Features

HSLR relief valves are available with several orifice sizes and springs so you can tailor the valve to your needs. The cartridge valve is constructed of steel parts and operating parts are hardened and ground as required. Cartridge is designed for ease of service or field repair. Available with tamper resistant or tamper proof adjusting screws.

Specifications

Rated flow to – 2.5 gpm (9.45 lpm)

Maximum operating pressure—
5000 psi (345 bar)

Adjustable pressure range – Depends on
pressure range selected – see How to Order
Maximum shut-off leakage at rated
pressure – 3 drops per minute

Viscosity range – 27-300 SSU at 100°F
35-2000 SSU at 100°F

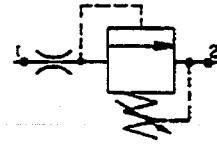
Seal—Viton

Operating temperature— -40°F to 350°F
(-39,6°C to 175°C)

Filtration – Maintain SAE Class 6, ISO 18/15

Seal kit – HSSK-400-A

HSLR403-P



Data Sheet

Relief Valve, Direct Acting

How To Order

Screw-In Cartridge Only

HSLR403-P - _____

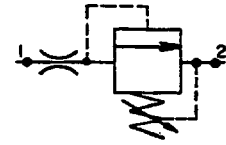
	Pressure Range	
	psi	bar
07	50-700	3,4-48,0
20	50-2000	3,4-138
35	50-3500	3,4-241
50	50-5000	3,4-345

	Orifice Diameter	
	in.	mm
0	No. disk	No. disk
2	.026	0,66
3	.032	0,81
4	.040	1,02
5	.055	1,40
6	.062	1,57

	Option
Blank	None
TR	Tamper resistant
TP- * _ _ _	Tamper proof
I- _ _ _ _	Internal Adj.

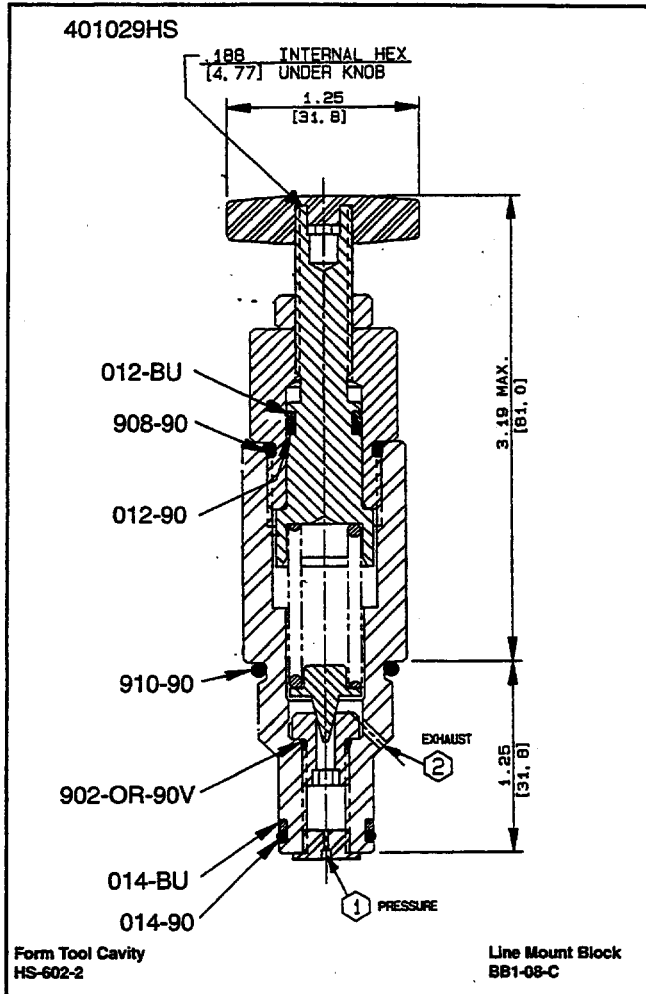
*Tamper proof to be specified as "TP——" (followed by the pressure the valve is to be set at while passing the full allowable volume thru the specified orifice). Use "0000", when the valve is to be furnished with loose wire and seal, so valve can be set in the field.

HSLR603-P



Data Sheet

Relief Valve, Direct Acting



Application

The HSLR is a low flow adjustable relief valve used for pilot control of relief, pressure reducing, sequence, or any other type of pressure controlled valve.

Operation

Inlet pressure (at port 1) passes thru a stability orifice in the center of the valve. When pressure on the exposed face of the poppet exceeds that of the adjustable spring tension, holding the poppet on the seat, the valve opens and allows flow from port 1 to port 2. When pressure drops, the poppet re-seats and flow stops.

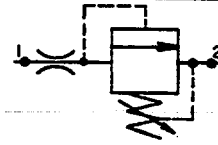
Features

HSLR relief valves are available with several orifice sizes and springs so you can tailor the valve to your needs. The cartridge valve is constructed of steel parts and operating parts are hardened and ground as required. Cartridge is designed for ease of service or field repairs. Available with tamper resistant or tamper proof adjusting screws.

Specifications

- Rated flow to—2.5 gpm (9.45 lpm)
- Maximum operating pressure—5000 psi (345 bar)
- Adjustable pressure range—Depends on pressure range selected—see How to Order
- Maximum shut-off leakage at rated pressure—3 drops per minute
- Viscosity range—27-30 SSU at 100°F
35-2000 SSU at 100°F
- Seals—Viton
- Operating temperature—-40°F to 350°F (-39.6°C to 175°C)
- Filtration—Maintain SAE Class 6, ISO 18/15
- Seal kit—HSSK-600-D

HSLR603-P

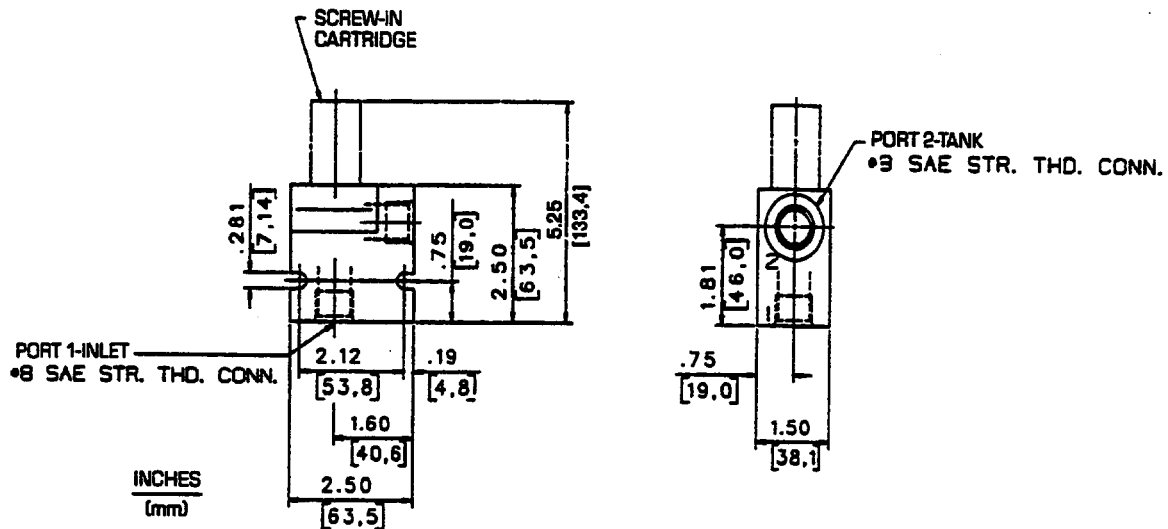


Data Sheet

Relief Valve, Direct Acting

Line Mount Specifications

HSLR603-P/BB1-08-C



How To Order

Screw-In Cartridge Only

HSLR603-P - - - - -

	Pressure Range	
	psi	bar
07	50-700	3,4-48,0
20	50-2000	3,4-138
35	50-3500	3,4-241
50	50-5000	3,4-345

	Orifice Diameter	
	in.	mm
0	No. disk	No. disk
3	.032	0,81
4	.040	1,02
5	.055	1,40
6	.062	1,57

see DS 82550-1B

Option	Option
Blank	None
TR	Tamper resistant
TP- - - -	Tamper proof
I-	Internal Adj.

*Tamper proof option to be specified as "TP- - - -" (followed by the pressure the valve is to be set at while passing the full allowable volume thru the specified orifice). Use "0000" when the valve is to be furnished with loose wire and seal, so valve can be set in the field.

Cartridge With Line Mount Block

HSLR603-P- - - - /BB1-08-C

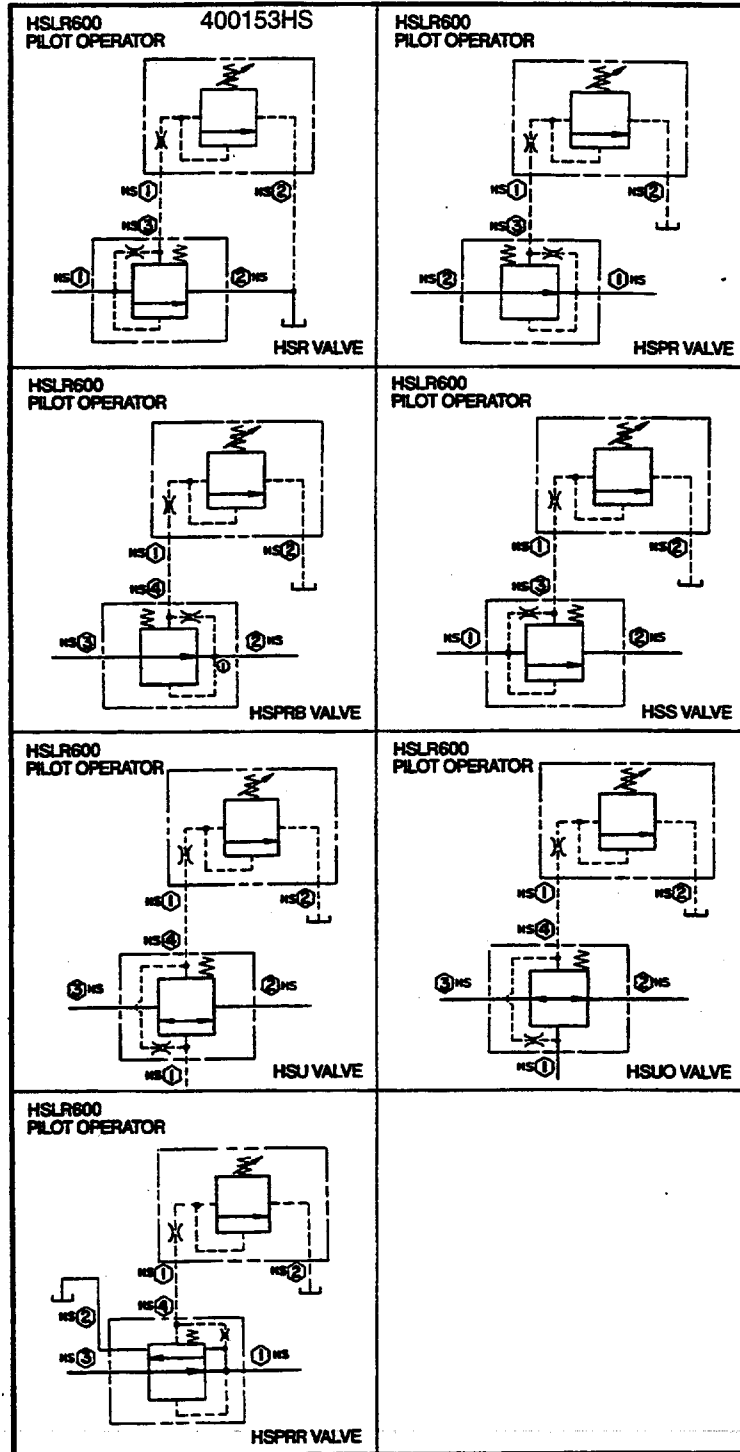
HSLR600

Pilot Circuits

Data Sheet

Pilot Adjustors

Pilot Operator Circuits



Application

For increased sensitivity, smoothness of operation, broadness of range and ease of adjustments, many times it is advantageous to use a smaller (pilot) relief valve to operate a large pressure control valve. (See DS 82550-B1.1 & DS 82550-B2.1A for information on the HSLR403-P & HSLR602-P pilot valves).

Operation

The compound ASA symbols shown are for pilot operated pressure control valves. That is—they show both the pilot valve and the larger pressure control valve.

Features

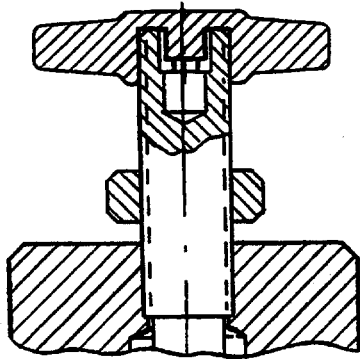
HSLR relief valves are available with several pressure adjustors. The standard knob, tamper resistant option, tamper proof option and internal adjustor option are shown on the reverse side of this sheet.

HSLR600

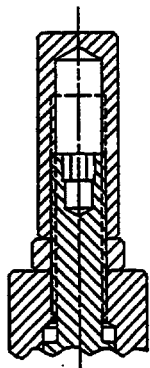
Pilot Circuits

Data Sheet

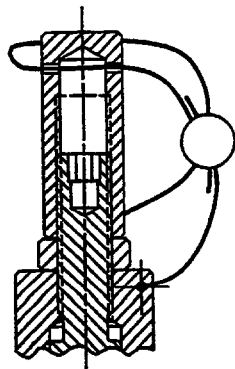
Pilot Adjustors



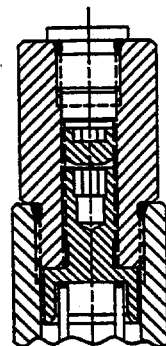
Standard Knob



TR
Tamper Resistant Option



TP
Tamper Proof Option



I
Internal Adjustor Option