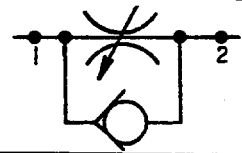


5 USGPM Δ 225 PSI
(18,9 LPM Δ 15,5 Bar)

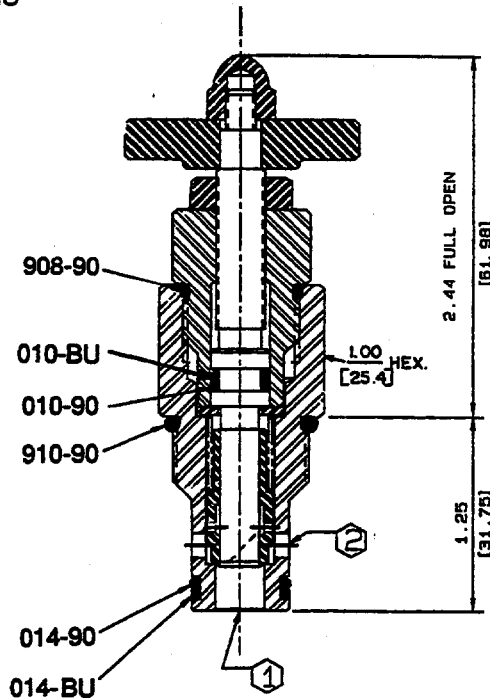
HSF603-M



Data Sheet

Flow Control Valve, Micro

400924HS

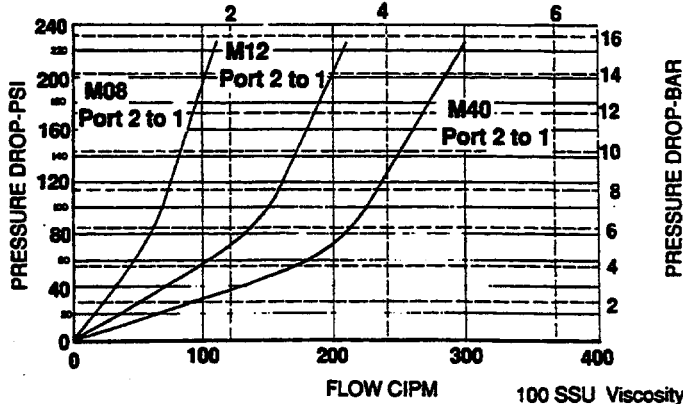


Form Tool Cavity
HS-600-2

Line Mount Block
BB1-08-C

Performance Curve

(at 5.5 turns open)
FLOW LPM



Application

The HSF-M valve is a non-pressure compensated finely adjustable orifice for adjustment of flow in one direction and allowing limited free flow in the other for use as uni-directional flow regulator actuator.

Operation

The main spool (sleeve) is held on the seat in the body by a spring. As the adjusting knob is turned counterclockwise, the adjusting screw is backed out of the sleeve. The adjusting screw regulates flow thru the side of the body into the center of the main sleeve and out port 1 at the bottom of the body. Flow (pressure) in the opposite direction (port 1) forces the sleeve to open against the spring and allows limited flow (depending on adjusting screw position) from port 1 to 2. Pressure curves indicate closed (worst) condition.

Features

This valve is constructed of steel parts and operating parts are hardened and ground as required. The cartridge is designed for easy service and field repair.

Specifications

Nominal flow at 225 PSI (15,5 bar)	Adjusting Screw			
	M08	M12	M40	
Port 1-2 (closed)	cipm lpm	1155 18,9	1155 18,9	1155 18,9
Port 2-1 (open max. controlled flow)	cipm lpm	110 1,8	210 3,2	300 4,8

Maximum operating pressure - 5000 psi (345 bar)

Turns, full open to close 7 7 7

Torque to adjust valve when under maximum pressure 15 in. lb. (1695 Nmm)

Viscosity range - 27-30 SSU at 100° F
35-2000 SSU at 100° F

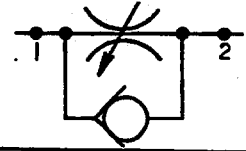
Operating temperature - 40° F to 350° F
(-39,6° C to 175° C).

Filtration - Maintain SAE Class 6, ISO 18/15

Seal kit - HSSK-600-AF

5 USGPM Δ 225 PSI
 (18,9 LPM Δ 15,5 Bar)

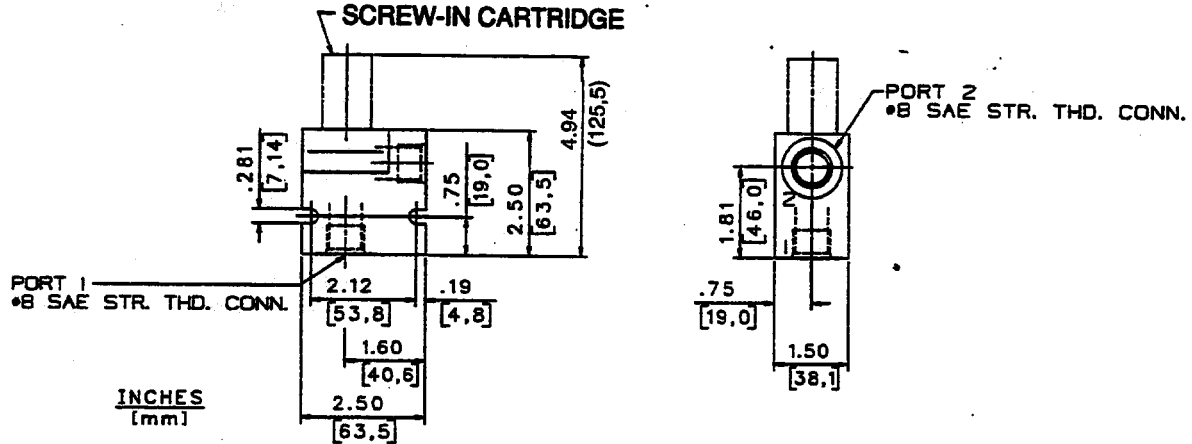
HSF603-M



Data Sheet

Line Mounted Specifications

HSF603-M**/BB1-08-C



How To Order

Screw-in Cartridge Only

HSF603-M**

Flow Range at 225 psi (15.5 bar)	
M08 =	110 cipm (1,8 lpm)
M12 =	210 cipm (3,4 lpm)
M40 =	300 cipm (4,9 lpm)

Cartridge With Line Mount Block

HSF603-M**/BB1-08-C