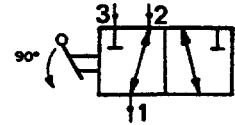


27 USGPM Δ 100 PSI
(102,2 LPM Δ 6,9 Bar)

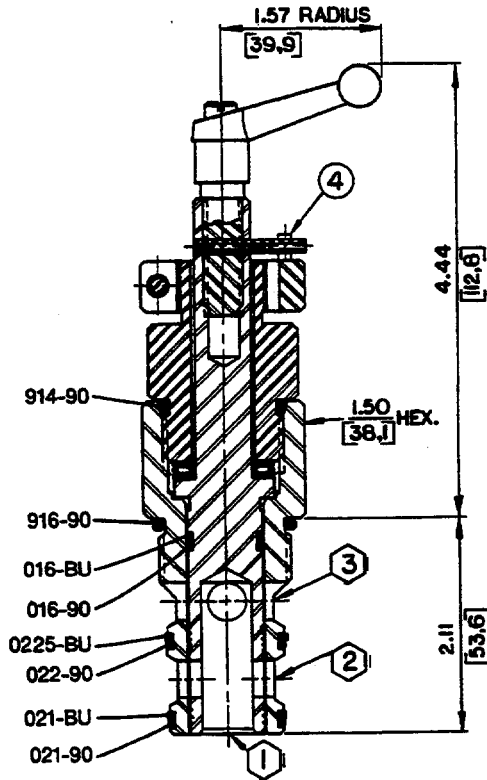
HS3W800-90



Data Sheet

Three-Way Directional Control Valve

400175HS



Form Tool Cavity
HSSCV-800-3

Line Mount Block
CK1-10-C

Application

The HS3W cartridge valve is used to connect one (common) port to either of two other ports, when manual lever is turned 90°.

Operation

Type HS3W-90 cartridge valve has a hollow main spool. Holes are drilled thru the circumference of the main spool. A lever is connected to the main spool. In one position of the lever, the holes in the spool line up with matching holes in the body and allow flow between hollow spool (port 1) and port 2. Rotating the lever 90° dis-aligns port 2 holes and lines up holes in spool with port 3—allowing flow between ports 1 and 3. The lever can be positioned after the valve has been installed, by lifting, rotating and releasing the handle.

Features

The lever can be positioned anywhere within a 360° circle. The valve is constructed of steel parts, operating parts are hardened and cartridge is designed for easy field service or repair.

Specifications

Maximum flow—27 USgpm Δ 100 psi
(102,2 lpm Δ 6,9 bar)

Maximum operating pressure—
5000 psi (345 bar)

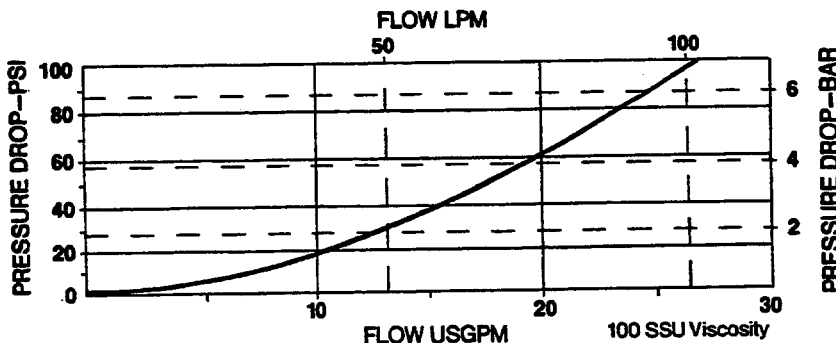
Viscosity range—27-30 SSU at 100°F
35-2000 SSU at 100°F

Seals—Viton

Operating temperature—-40°F to 350°F
(-39,6°C to 175°C)

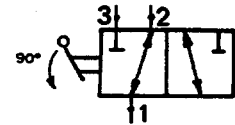
Filtration—Maintain SAE Class 5, ISO 17/14
Seal kit—HSSK-800-L

Performance Curve



27USGPM Δ 100PSI
(102,2 LPM Δ 6,9 Bar)

HS3W800-90

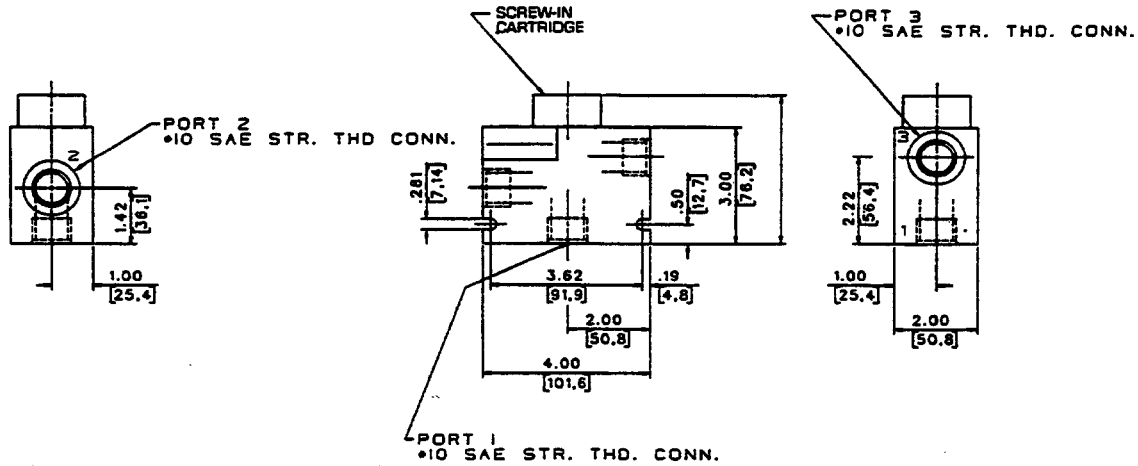


Data Sheet

Three-Way Directional Control Valve

Line Mount Specifications

HS3W800-90/CK1-10-C



INCHES
(mm)

How To Order

Screw-In Cartridge Only

HS3W800-90

Cartridge With Line Mount Block

HS3W800-90/CK1-10-C