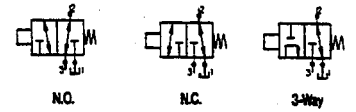


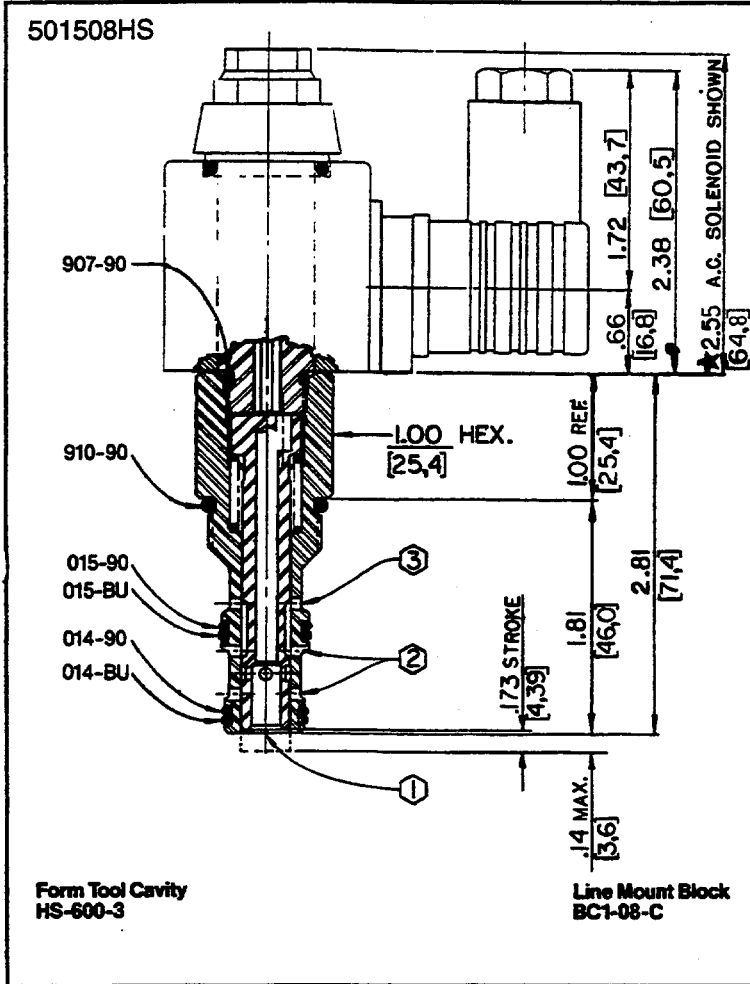
2.5 USGPM Δ 35 PSI
(9,5 LPM Δ 2,4 Bar)

HS3SV-602



Data Sheet

Three Way Directional Control Pilot Valve



Application

The HS3SV cartridge valve is used to allow, block or bypass flow in a system (depending on spool chosen) thru actuation of an operator.

Operation

The HS3SV valve can be actuated by one of several (electric) solenoids, an air (pneumatic) cylinder, or a knob (manual) operator. The main spool is available in several configurations. The spool is held in its normal position by a spring. Actuating the operator shifts the spool to open or close flow between various ports. NOTE: port 1 must be connected directly to tank. Deactuating the operator allows the spring to return the spool to original position.

Features

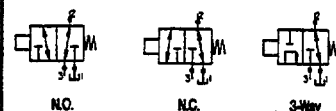
Valves are available with several spool configurations (for a variety of functions) and can be actuated by electric, pneumatic or manual operators. Valves are constructed of steel parts, operating parts are hardened, and ground as required. Cartridge is designed for easy service or field repair.

Specifications

- Maximum flow—2.5 USgpm Δ 35 psi
(9,5 lpm Δ 2,4 bar)
- Maximum operating pressure—
5000 psi (345 bar)
- Maximum leakage (port to port)— 20 in³/m
(328 cm³/m)
- Viscosity range—27-30 SSU at 100°F
35-2000 SSU at 100°F
- Seals—Viton
- Operating temperature
Solenoid operators only— -40°F to 140°F
(-39,6°C to 175°C)
- All other operators— -40°F to 350°F
(-39,6°C to 175°C)
- Filtration—Maintain SAE Class 5, ISO 17/14
- Seal kit—HSSK-600-K

2.5 USGPM Δ 35 PSI
(9,5 LPM Δ 2,4 Bar)

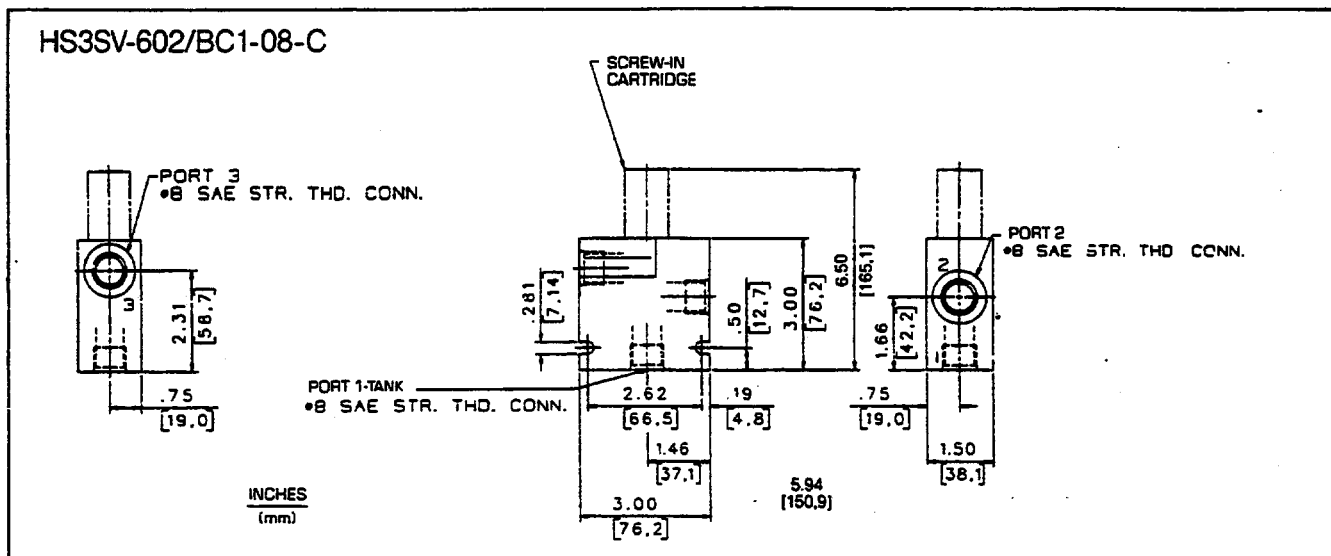
HS3SV-602



Data Sheet

Three Way Directional Control Pilot Valve

Line Mount Specifications



How To Order

Screw-In Cartridge Only

HS3SV__-602-____-____

Spools **	
O	Normally open 3 way
C	Normally closed 3 way
3	3 way diverter

**ALL SPOOLS ARE NORMALLY OPEN CROSS OVER

Operators	
0	(Standard) 115 VAC/60 Hz or 110 VAC/50 Hz Solenoid
1	230 VAC/60 Hz or 220 VAC/50 Hz Solenoid
2*	12 VDC Solenoid
3*	24 VDC Solenoid
AP*	Air (16 psi to 100 psi)
MAN*	Manual
HP*	Hydraulic Pilot Operator

*See DS 80150-1C for details.

Accessories	
Blank	None required
MO*	Manual Push Button Solenoid Override
MS*	Manual Screw Lock-In Solenoid Override

Electrical Connectors	
N	None required
S	(Standard) Cable Connector w/o Indicator Light
L	Cable Connector with Indicator Light
R	0.500 NPTF Connector w/o Indicator Light
W	0.500 NPTF Connector with Indicator Light
B*	3-pin Brad-Harrison Connector with Light
C*	3-pin Brad-Harrison Connector w/o Indicator Light

Cartridge With Line Mount Block

HS3SV__-602-____-____/BC1-08-C