

Side Ported Subplates D03 - Side Ported

Application:

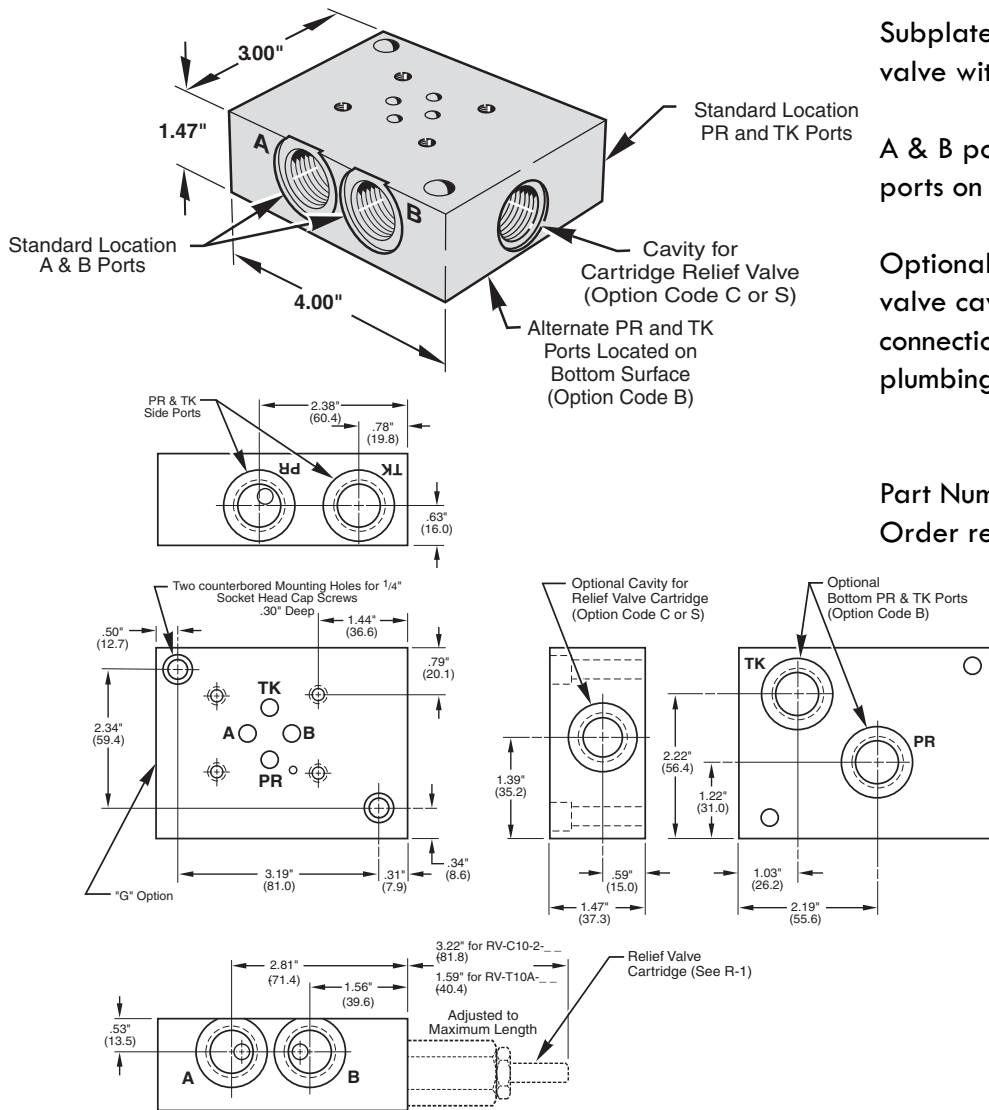
Subplate used for mounting directional valve with NFPA D03 Interface.

A & B ports on a common side, PR & TK ports on opposite side.

Optional features include cartridge relief valve cavity with the tank and pressure connections on the bottom surface to allow plumbing directly through the reservoir top.

Note:

Part Number includes the subplate only.
Order relief valve cartridge separately.



| * Thread Code | PR, TK, A & B |
|---------------|---------------|
| P6 | 3/8" NPT |
| S6 | #6 SAE |
| B6 | 3/8" BSPP |
| T6 | 3/8" BSPT |
| M6 | M14 x 1.5 |
| P8 | 1/2" NPT |
| S8 | #8 SAE |
| B8 | 1/2" BSPP |
| T8 | 1/2" BSPT |
| M8 | M18 x 1.5 |

3

MAGNALOY D03 SUBPLATE PART NUMBER BREAKDOWN

S P - A 0 3 P 6 - 1 / B Z

Product Code
SP - Subplate

Material Code
A - Aluminum
S - Ductile/Steel

NFPA Pattern Code
03 - D03

Thread Code
P - NPTF Pipe
S - SAE O'Ring
B - BSPP British Parallel
T - BSPT British Taper
M - Metric ISO 6149
(See Port Chart for Standard Sizes)

Options
Z - No Relief Cavity
B - Bottom PR-TK Ports (W/Side PR & TK)
C - Relief Valve Cavity C-10-2
G - Gauge Port #4 SAE or 1/4 NPTF
S - Relief Valve Cavity Sun T-10A
H - Hard Metric Threading (See Note 2, page 47)
M - Soft Metric Threading (See Note 3, page 47)
Note: For more than two combined options, consult factory.

Design Series