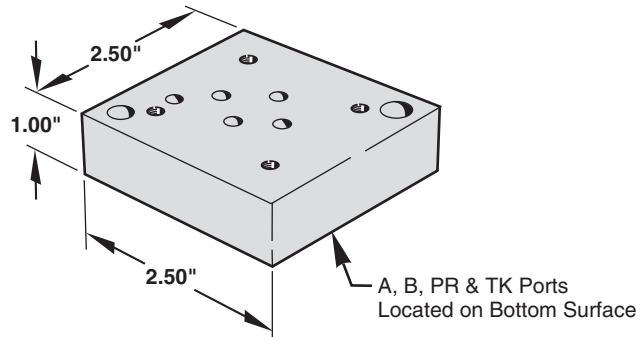


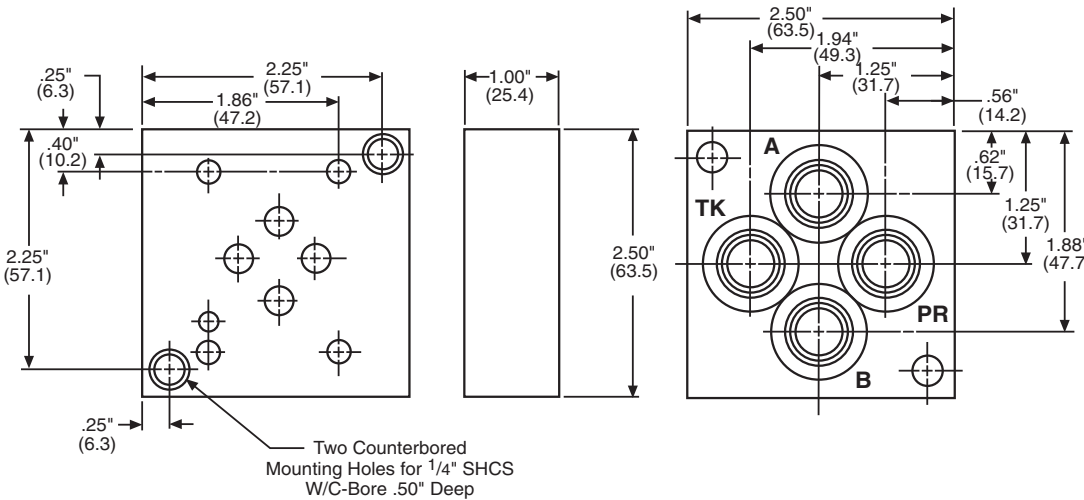
Application:

Subplate used for mounting directional valve with NFPA D03 Interface.

A, B, PR & TK ports on bottom surface.



3



Thread Code	PR, TK, A & B
P4	1/4" NPT
S4	#4 SAE
B4	1/4" BSPP
T4	1/4" BSPT
M4	M10 x 1.0
P6	3/8" NPT
S6	#6 SAE
B6	3/8" BSPP
T6	3/8" BSPT
M6	M14 x 1.5

MAGNALOY D03 SUPER SAVER SUBPLATE PART NUMBER BREAKDOWN

