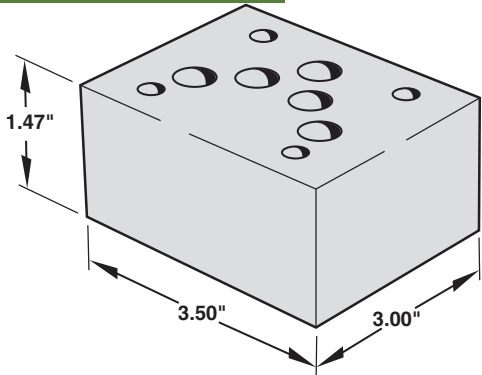


Manifold Accessories

D05 Tapping Plate

Application:

Module with NFPA D05 pattern for use between the valve and a mounting surface, providing additional ports where needed for external pilot connections, gauges, etc. Eliminates added plumbing.



Supplied Hardware

O-Rings — Viton (5) 5/8" OD x 1/2" ID x 1/16" CS

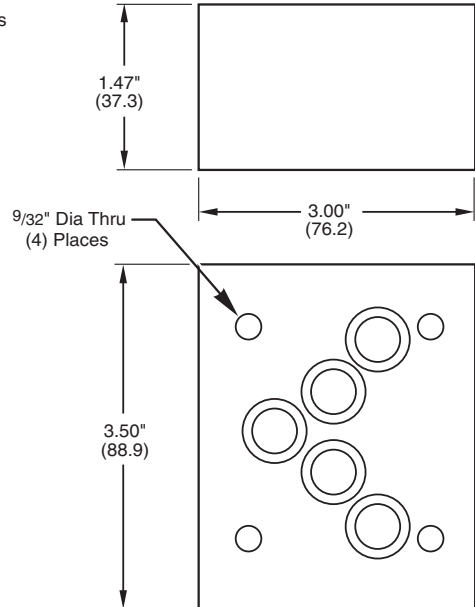
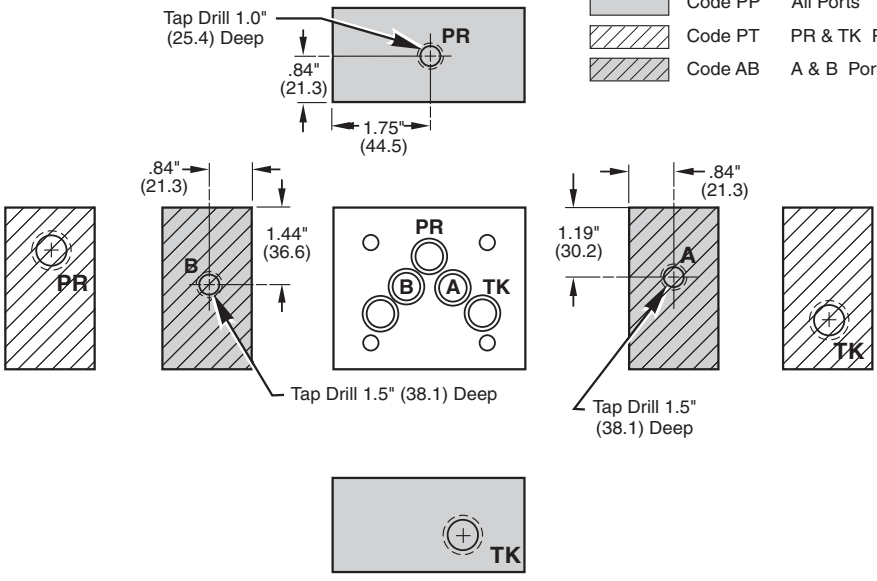
Part Numbers:

Aluminum	Ductile/Steel
MA-A05__-TP-__-1	MA-S05__-TP-__-1

SUGGESTED PORT LOCATIONS

Port Locations Legend

- Code PP All Ports
- Code PT PR & TK Ports
- Code AB A & B Ports



3

MAGNALOY MANIFOLD ACCESSORY PART NUMBER BREAKDOWN

