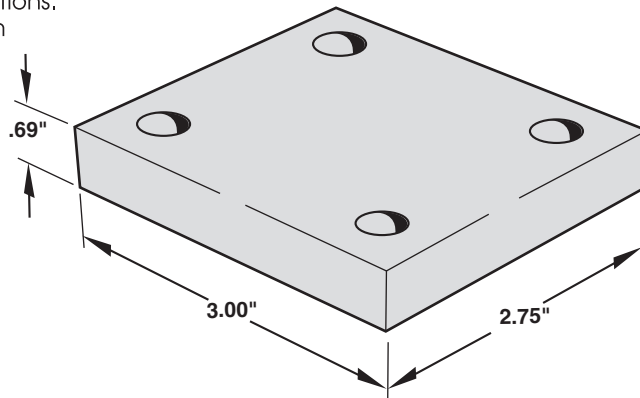
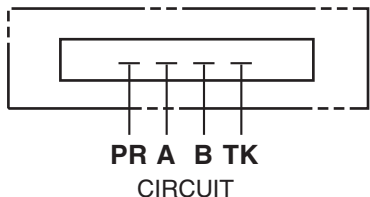


Manifold Accessories

D05 Orifice Plate

Applications:

- To mount between a DO5 4-way valve and a mounting surface.
- To provide for customer drilling of holes for orifices in any of the 5 port connections. Any port may be drilled to a maximum of .438" dia or may be left blocked.



Supplied Hardware

O-Rings — Viton (5) 5/8" OD x 1/2" ID x 1/16" CS

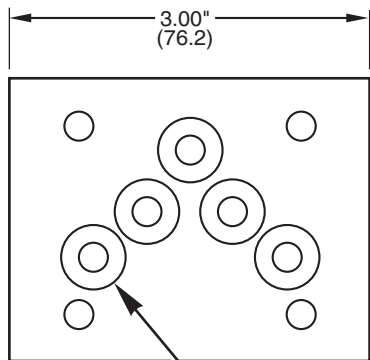
Note:

Maximum allowable drill is .438" dia.

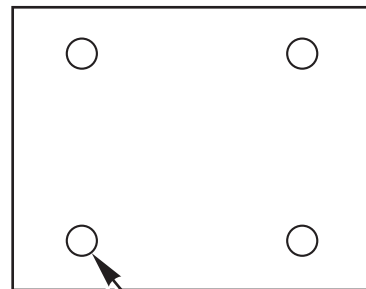
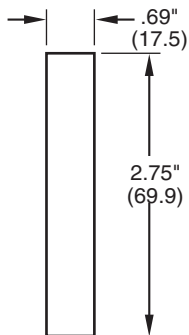
Part Numbers:

Aluminum	Ductile/Steel
MA-A05ZZ-OP-ZZ-0	MA-S05ZZ-OP-ZZ-0

3



Pocket for
5/8" O.D. O'Ring
(5) Places



MAGNALOY MANIFOLD ACCESSORY PART NUMBER BREAKDOWN

