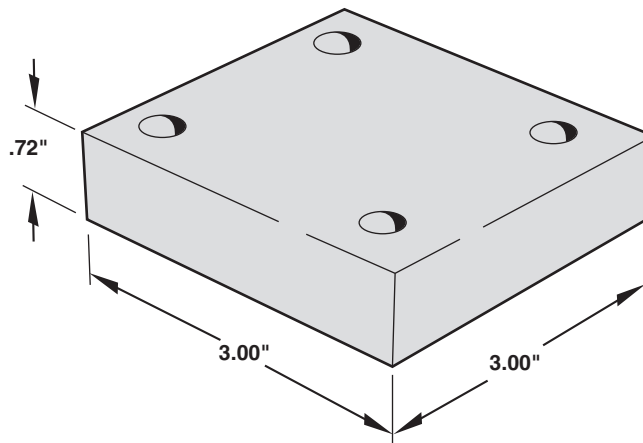
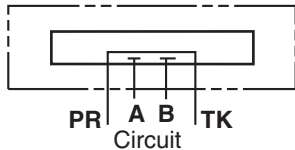


# Cover Plates

## D05 Cover Plate, Series Blank Off

### Application:

Seals all valve ports and provides the pressure port common to tank port when used as a flush out plate or as a substitute for directional valve in a series circuit.

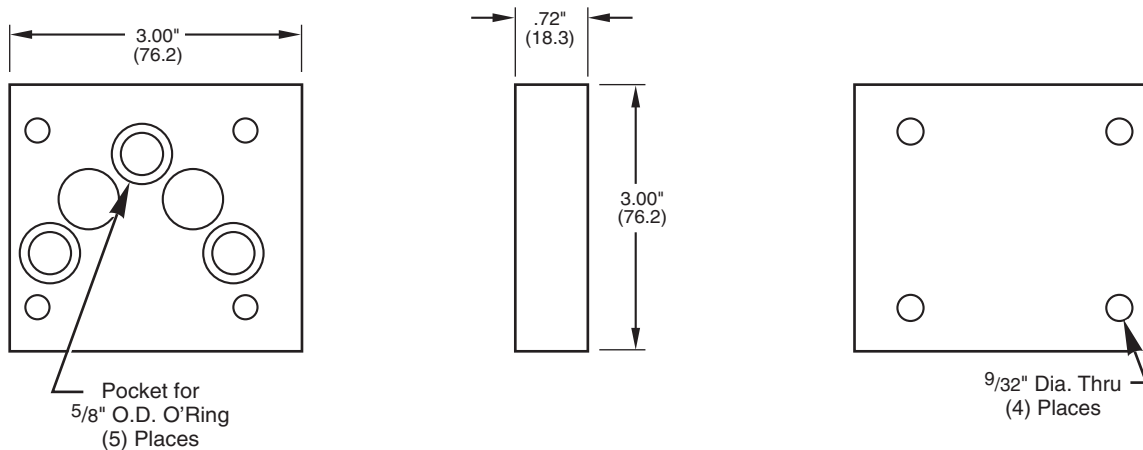


### Supplied Hardware

- Mounting Bolts — (4) M6-1.0 x 32mm S.H.C.S. (M - Mtg.Code)
- Mounting Bolts — (4) 1/4-20 x 1 1/4" S.H.C.S. (E - Mtg.Code)
- O-Rings — Viton (5) 5/8" OD x 1/2" ID x 1/16" CS

Part Numbers:	
Aluminum	Ductile/Steel
CP-ASS05_-1/Z	CP-SSS05_-1/Z

3



## MAGNALOY D05 COVER PLATE PART NUMBER BREAKDOWN

