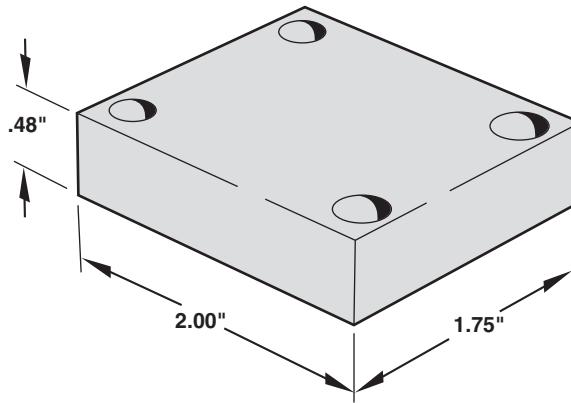
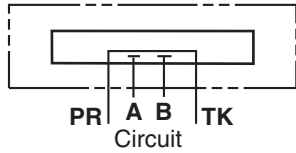


Application:

Seals all valve ports and provides the pressure port common to tank port when used as a flush out plate or as a substitute for directional valve in a series circuit.

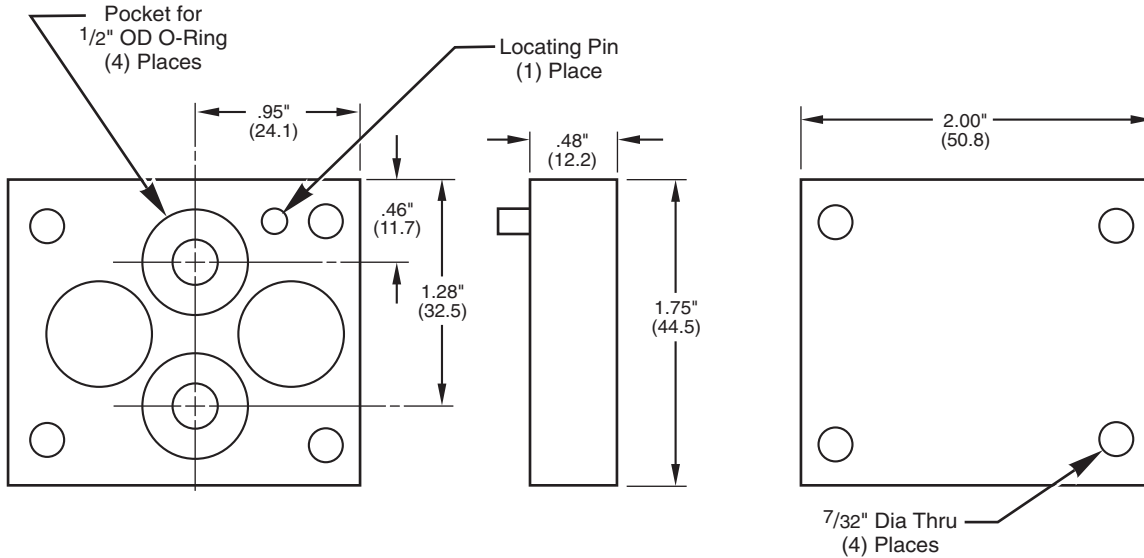


Supplied Hardware

- Mounting Bolts — (4) M5-.80 x 22mm S.H.C.S. (M - Mtg.Code)
- Mounting Bolts — (4) 10-24 x 7/8\" S.H.C.S. (E - Mtg.Code)
- O-Rings — Viton (4) 1/2\" OD x 3/8\" ID x 1/16\" CS
- Locating Pin — (1) 1/8\" Dia x 3/8\" Roll Pin

Part Numbers:	
Aluminum	Ductile/Steel
CP-ASS03_-1/Z	CP-SSS03_-1/Z

3



MAGNALOY D03 COVER PLATE PART NUMBER BREAKDOWN

