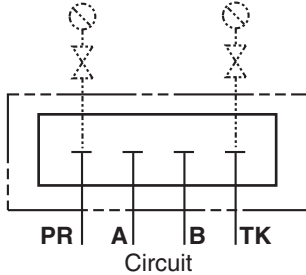
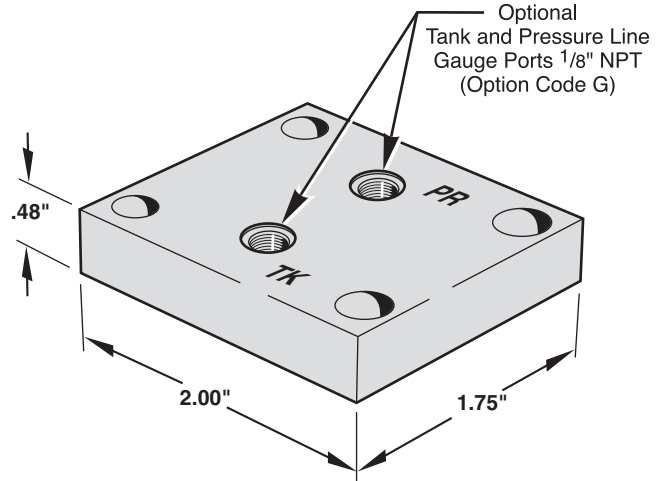


Application:

Seals and isolates all valve ports when used as substitute for directional valve. Gauge Port option provides pressure and tank line signal ports.



Note: (With Gauge Option)
Level seal pipe plugs are furnished to plug unused gauge ports.

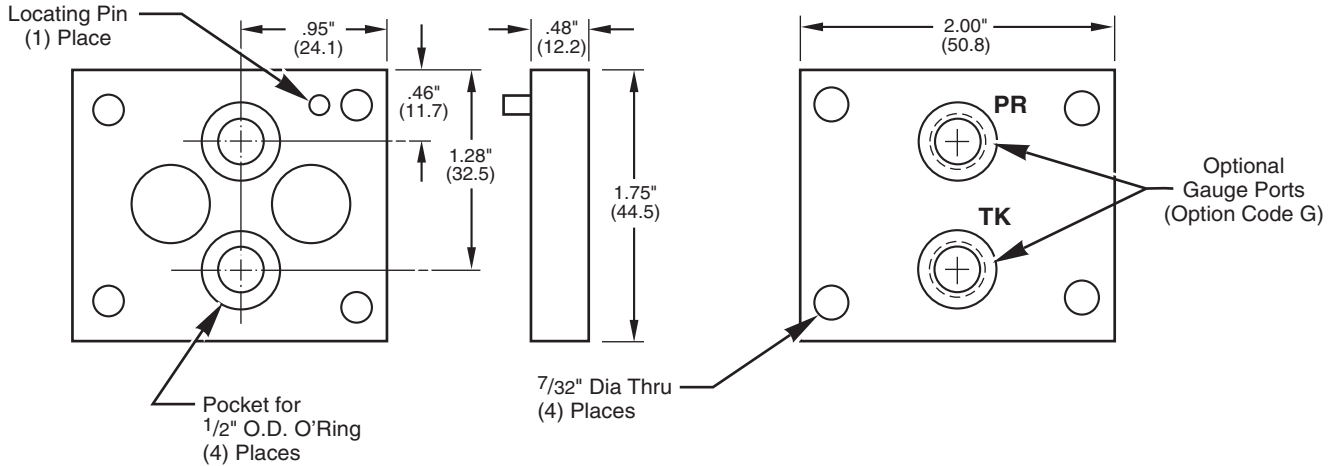


Supplied Hardware

- Mounting Bolts — (4) M5-.80 x 22mm S.H.C.S. (M - Mtg.Code)
- Mounting Bolts — (4) 10-24 x 7/8" S.H.C.S. (E - Mtg.Code)
- O-Rings — Viton (4) 1/2" OD x 3/8" ID x 1/16" CS
- Pipe Plugs — (2) 1/8" NPT Level Seal (See note above)
- Locating Pin — (1) 1/8" x 3/8" Roll Pin

Part Numbers:

Aluminum	Ductile/Steel
CP-ASP03_-1/Z	CP-SSP03_-1/Z
CP-ASP03_-1/G	CP-SSP03_-1/G



MAGNALOY D03 COVER PLATE PART NUMBER BREAKDOWN

