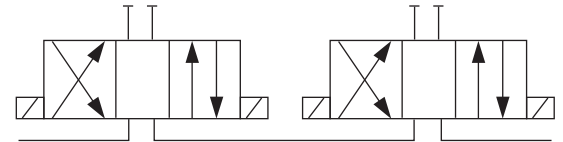
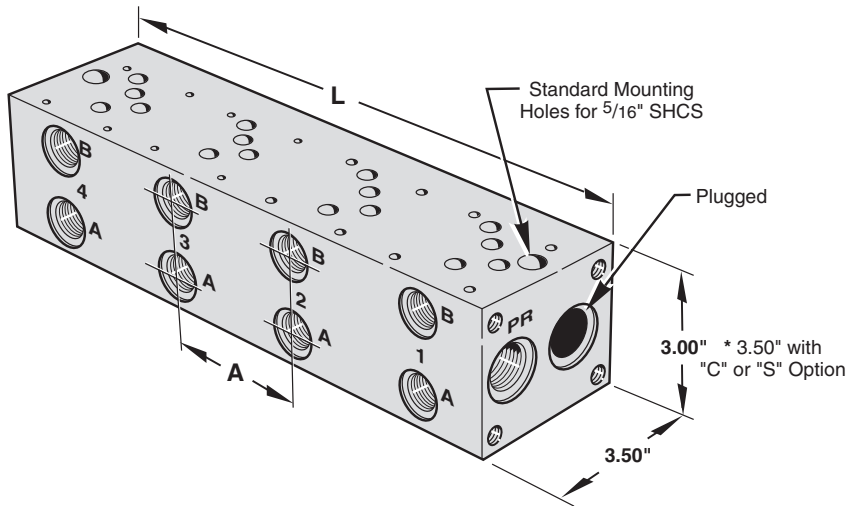
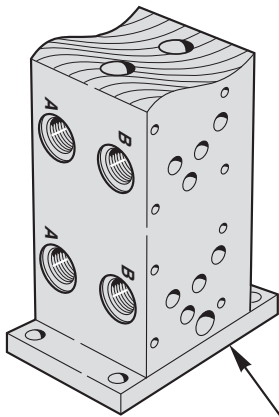


Features & Advantages

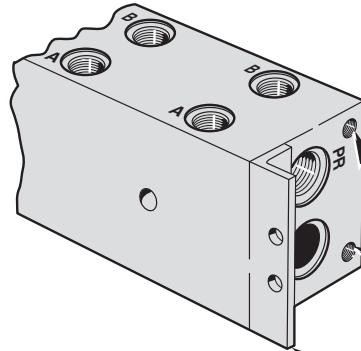
- + Available with SAE, NPT, BSPP, BSPT or Metric Threads to cover a wide range of applications.
- + Adequate clearance for 3/4" tube fittings.
- + Mounting bolt spacing allows standardized mounting pads.



3



Accessory Mounting Flange
(Non "C" or "S" Only)
(FK-A05)



Mounting Bracket Kit
(Request-No Charge)
(BK-A05)

Flange Mounting Holes
(Non "C" or "S" Only)

MAGNALOY D05 SERIES BAR MANIFOLD PART NUMBER BREAKDOWN

B M - A S S 0 5 P 3 - 0 2 - 1 / Z

Product Code
BM - Inline Bar Manifold

Material Code
A - Aluminum
S - Ductile/Steel

Circuit Code
SS - Series Circuit

NFPA Pattern Code
05 - D05

Thread Code
P - NPTF Pipe
S - SAE O'Ring
B - BSPP British Parallel
T - BSPT British Taper
M - Metric ISO 6149

(See Port Size Chart for Standard Port Sizes.)

Options

- Z - No Option
- B - Bottom PR-TK Ports
- C - Relief Valve Cavity C-10-2
- G - Gauge Port - #4 SAE or 1/4" NPTF
- G6 - Gauge Port - #6 SAE
- S - Relief Valve Cavity Sun T3A
- M - Soft Metric Threading (See Note 3, page 47)

Design Series

Number of Valve Stations

- 02 - 2 stations
- 03 - 3 stations
- etc.

Valve Spacing Code

- 3 - 3.25"
- 5 - 5.00"

