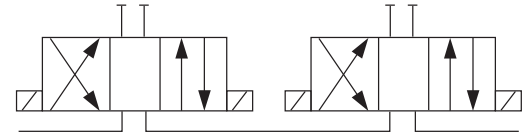
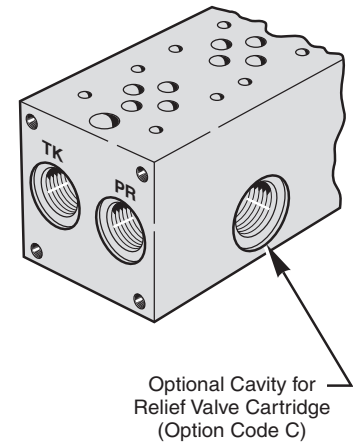
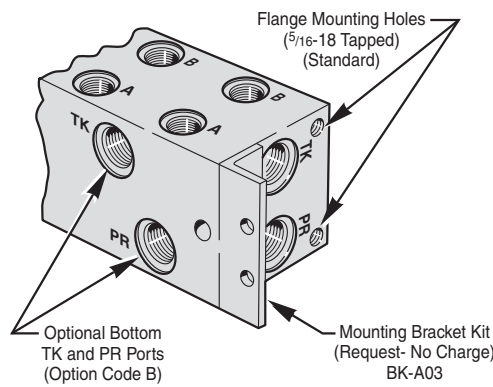
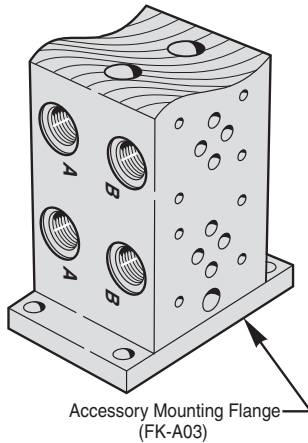


### FEATURES AND ADVANTAGES

- \* Available with SAE, NPT, BSPP, BSPT or Metric Threads to cover a wide range of applications.
- \* Adequate clearance for 5/8" tube fittings.
- \* Mounting bolt spacing allows standardized mounting pads.
- \* Tank and pressure lines may be connected at either end.



3



## MAGNALOY D03 SERIES BAR MANIFOLD PART NUMBER BREAKDOWN

**B M - A S S 0 3 S 2 - 0 1 - 0 / B**

Product Code  
BM-Inline Bar Manifold

Material Code  
A - Aluminum  
S - Steel

Circuit Code  
SS - Series Circuit

NFPA Pattern Code  
03 - D03

Thread Code  
P - NPTF Pipe  
S - SAE O'Ring  
B - BSPP British Parallel  
T - BSPT British Taper  
M - Metric ISO 6149

(See Port Size Chart for Standard Port Sizes)

Options

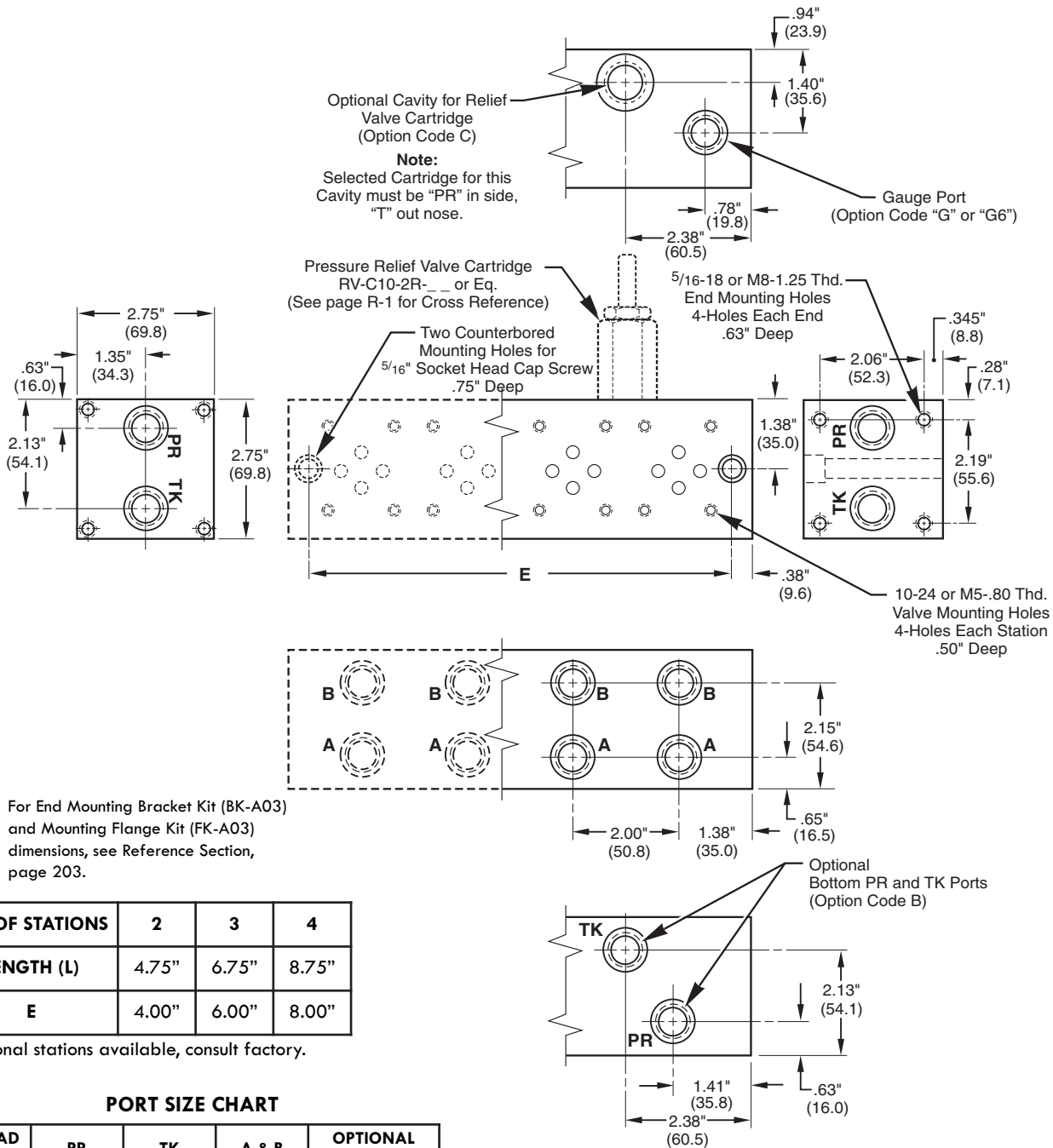
- Z - No Option
- B - Bottom PR-TK Ports
- C - Relief Valve Cavity C-10-2
- G - Gauge Port #4 SAE or 1/4" NPTF
- G6 - Gauge Port #6 SAE
- H - Hard Metric Threading (See Note 2, page 47)
- M - Soft Metric Threading (See Note 3, page 47)

Design Series

Number of Valve Stations  
02 - 2 stations  
03 - 3 stations  
etc.

Valve Spacing Code  
2 - 2.00"

# Inline Bar Manifold D03 Bar Manifold - Series



**NOTE:** For End Mounting Bracket Kit (BK-A03) and Mounting Flange Kit (FK-A03) dimensions, see Reference Section, page 203.

NO. OF STATIONS	2	3	4
LENGTH (L)	4.75"	6.75"	8.75"
E	4.00"	6.00"	8.00"

Additional stations available, consult factory.

### PORT SIZE CHART

THREAD CODE	PR	TK	A & B	OPTIONAL GAUGE PORTS
P	1/2" NPT	1/2" NPT	3/8" NPT	1/4" NPT
S	#8 SAE	#8 SAE	#8 SAE	#4 SAE G6 - #6 SAE
B	1/2" BSPP	1/2" BSPP	3/8" BSPP	-
T	1/2" BSPT	1/2" BSPT	3/8" BSPT	-
M	M18	M18	M18	-