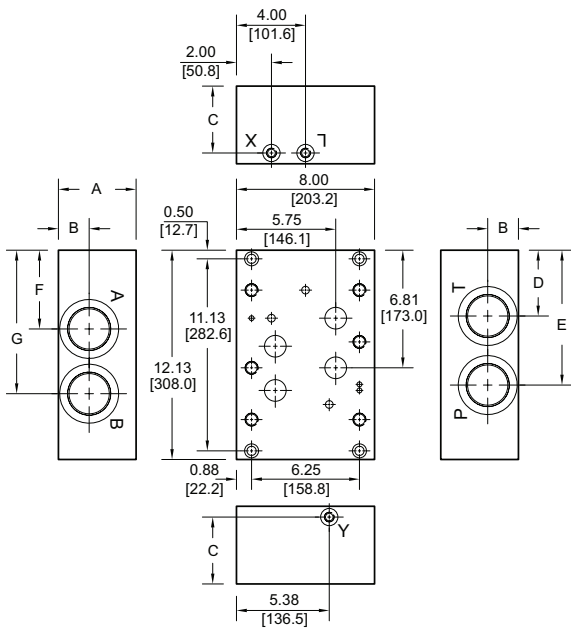


D10 Subplates

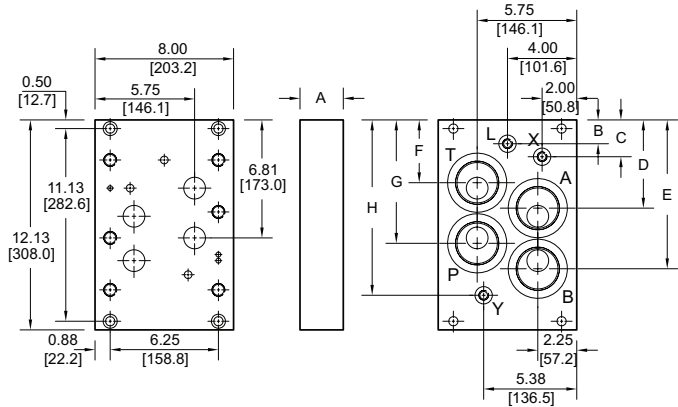
Side Ported Subplate

Valve mtg: UNC 0.75-10 x 1.63 [41.3] DP
 Subplate hardware kit is supplied.
 See page 136 for itemized list.



Back Ported Subplate

Valve mtg: UNC 0.75-10 x 1.63 [41.3] DP
 Subplate hardware kit is supplied.
 See page 136 for itemized list.



Dimension	A	B	C	D	E	F	G	H
*D10SPSO20P	3.50 [88.9]	1.75 [44.5]	2.88 [73.0]	3.81 [96.8]	7.13 [181.0]	5.22 [132.6]	8.31 [211.2]	--
D10SPSO24	4.00 [101.6]	1.75 [44.5]	3.38 [85.7]	3.81 [96.8]	7.13 [181.0]	5.22 [132.6]	8.31 [211.2]	--
D10SPSO32	4.50 [114.3]	1.78 [45.2]	3.88 [98.4]	3.81 [96.8]	7.81 [198.4]	4.56 [115.9]	8.31 [211.2]	--
*D10SPB20P	2.00 [50.8]	2.31 [58.7]	3.94 [100.0]	5.81 [147.6]	8.61 [218.7]	3.94 [100.0]	6.81 [173.0]	8.94 [227.0]
D10SPB24	2.50 [63.5]	1.38 [34.9]	2.13 [54.0]	5.09 [129.4]	8.59 [218.3]	3.63 [92.1]	7.13 [181.0]	10.13 [257.2]

Specifications, descriptions, and dimensional data are subject to correction or change without notice or incurring obligation.
 Download latest catalog page revisions at www.daman.com.

Ordering Information

Material	Valve Pattern	Product Type	Port Location	Port Threads
----------	---------------	--------------	---------------	--------------

For **coating options**
 see pages 245-246.

Material	
A	Aluminum - 6061-T6 3000 [†] psi • 20.7 MPa
D	Ductile Iron - D4512 5000 [†] psi • 34.5 MPa

[†] Working pressure should be considered in accordance with ISO 4413 to determine appropriate material type.

Product Type	
SP	Subplate

P, T, A, B Port Threads				X, Y, & L port size (reference)
20P	1.25-11.5 NPTF ANSI B1.20.3			0.38-18 NPTF ANSI B1.20.3
24P	1.50-11.5 NPTF ANSI B1.20.3	32P	2.00-11.5 NPTF ANSI B1.20.3	0.38-18 NPTF ANSI B1.20.3
24S	-24 SAE ISO 11926; SAE 1926	32S	-32 SAE ISO 11926; SAE 1926	-6 SAE ISO 11926; SAE 1926

Valve Pattern	
D10	ISO 4401-10-08 NFPA T3.5.1-D10 See Tech Information

Port Location	
SO	Side ported
B	Back ported