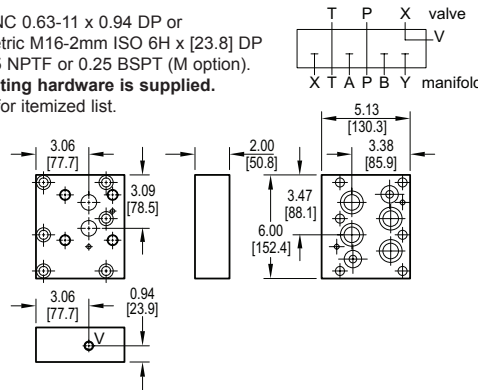


Relief Valve Adaptors for D08 Manifolds

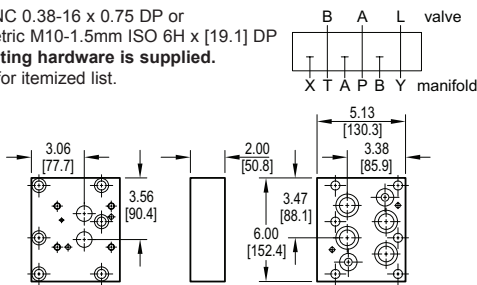
Adapt I08 (NFPA RV08) valve to D08 manifold

Valve mtg: UNC 0.63-11 x 0.94 DP or
Metric M16-2mm ISO 6H x [23.8] DP
Vent port: 0.25 NPTF or 0.25 BSPT (M option).
Adaptor mounting hardware is supplied.
See page 109 for itemized list.



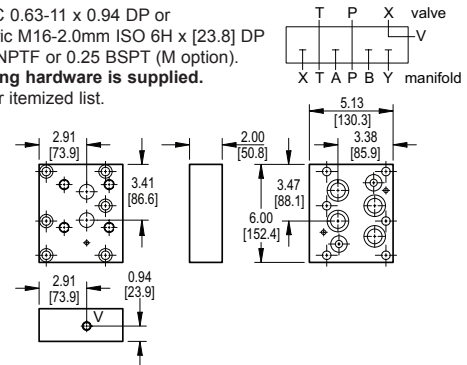
Adapt P08 valve to D08 manifold

Valve mtg: UNC 0.38-16 x 0.75 DP or
Metric M10-1.5mm ISO 6H x [19.1] DP
Adaptor mounting hardware is supplied.
See page 109 for itemized list.



Adapt R08 valve to D08 manifold

Valve mtg: UNC 0.63-11 x 0.94 DP or
Metric M16-2.0mm ISO 6H x [23.8] DP
Vent port: 0.25 NPTF or 0.25 BSPT (M option).
Adaptor mounting hardware is supplied.
See page 109 for itemized list.



Specifications, descriptions, and dimensional data are subject to correction or change without notice or incurring obligation. Download latest catalog page revisions at www.daman.com.

Ordering Information

Material	Valve Pattern	Manifold Pattern	Product Type	Bolt Threads
----------	---------------	------------------	--------------	--------------

For **coating options** see pages 245-246.

Material	
A	Aluminum - 6061-T6 3000 [†] psi • 20.7 MPa
D	Ductile Iron - D4512 5000 [†] psi • 34.5 MPa

[†] Working pressure should be considered in accordance with ISO 4413 to determine appropriate material type.

Manifold Pattern	
D08	ISO 4401-08-07 NFPA T3.5.1-D08 See Tech Information

Bolt Threads	
	Omit for inch (UNC) bolt kit.
M	Metric (ISO 6H) bolt kit

Valve Pattern	
	See Tech Information
I08	NFPA T3.5.1-RV08
P08	ISO 6264-08-11- [*] -97 ISO 5781-08-10-0-00 NFPA T3.5.1-RP08
R08	ISO 6264-06-09- [*] -97 NFPA T3.5.1-R08

Product Type	
RVA	Relief Valve Adaptor