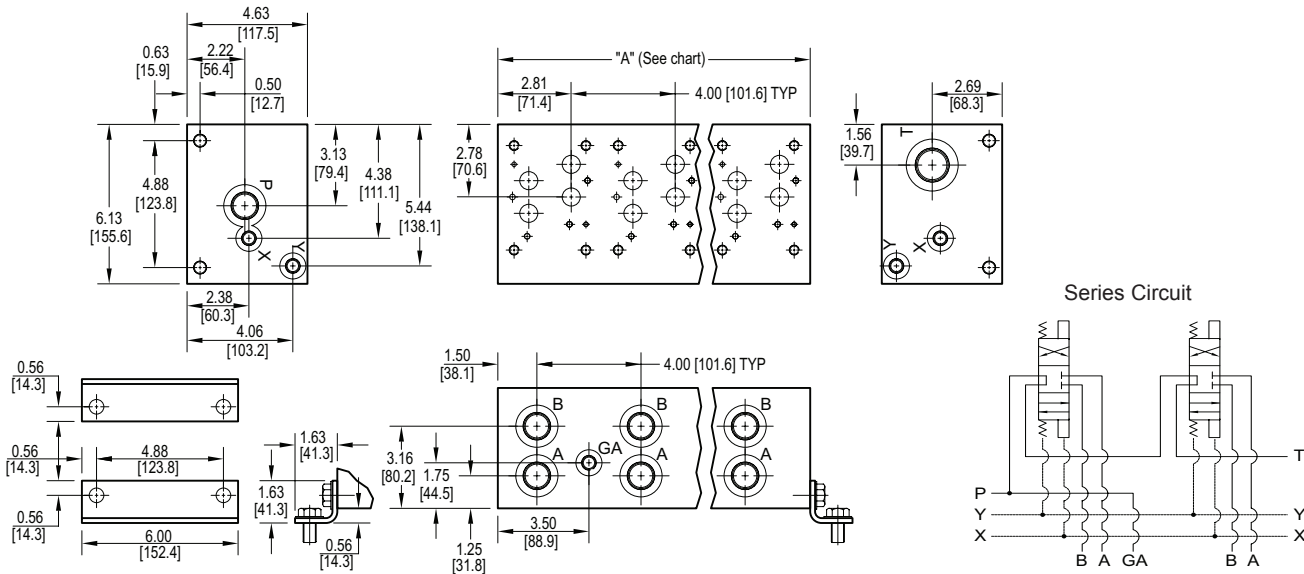


# D07 Series Circuit Manifold



All mounting hardware is supplied.  
See page 65 for itemized list.

No. of stations	02	03	04
"A" length (code 4 spa.) inch [mm]	8.00 [203.2]	12.00 [304.8]	16.00 [406.4]
apx. weight alum lb [kg]	23 [10]	32 [15]	40 [18]
apx. weight ferrous lb [kg]	68 [31]	103 [47]	137 [62]

Port code	Valve mtg.	Manifold mtg.
P, S	0.38-16 UNC x 1.00 [25] DP 0.25-20 UNC x 0.75 [19] DP	0.50-13 UNC x 0.88 [22.3] DP
B, M, T	M10 ISO 6H x 1.00 [25] DP M6 ISO 6H x 0.75 [19] DP	M12 ISO 6H x 0.88 [22.3] DP

Specifications, descriptions, and dimensional data are subject to correction or change without notice or incurring obligation.  
Download latest catalog page revisions at [www.daman.com](http://www.daman.com).

## Ordering Information

For **coating options**  
see pages 245-246.

Material	Valve Pattern	Circuit	No. of Stations	Valve Spacing	Port Threads	Options																																																																						
<table border="1"> <thead> <tr> <th colspan="2">Material</th> </tr> </thead> <tbody> <tr> <td><b>A</b></td> <td>Aluminum - 6061-T6 3000† psi • 20.7 MPa</td> </tr> <tr> <td><b>D</b></td> <td>Ductile Iron - D4512 5000† psi • 34.5 MPa</td> </tr> <tr> <td colspan="2">† Working pressure should be considered in accordance with ISO 4413 to determine appropriate material type.</td> </tr> </tbody> </table>	Material		<b>A</b>	Aluminum - 6061-T6 3000† psi • 20.7 MPa	<b>D</b>	Ductile Iron - D4512 5000† psi • 34.5 MPa	† Working pressure should be considered in accordance with ISO 4413 to determine appropriate material type.		<table border="1"> <thead> <tr> <th colspan="2">Circuit</th> </tr> </thead> <tbody> <tr> <td><b>S</b></td> <td>Series Circuit</td> </tr> </tbody> </table>	Circuit		<b>S</b>	Series Circuit	<table border="1"> <thead> <tr> <th colspan="2">Valve Pattern</th> </tr> </thead> <tbody> <tr> <td><b>D07</b></td> <td>ISO 4401-07-06 NFPA T3.5.1-D07 See Tech Information</td> </tr> </tbody> </table>	Valve Pattern		<b>D07</b>	ISO 4401-07-06 NFPA T3.5.1-D07 See Tech Information	<table border="1"> <thead> <tr> <th colspan="2">No. of Stations</th> </tr> </thead> <tbody> <tr> <td colspan="2">Aluminum</td> </tr> <tr> <td><b>02...04</b></td> <td>Available with spacing code 4</td> </tr> <tr> <td colspan="2">Ductile Iron</td> </tr> <tr> <td><b>02...04</b></td> <td>Available with spacing code 4</td> </tr> </tbody> </table>	No. of Stations		Aluminum		<b>02...04</b>	Available with spacing code 4	Ductile Iron		<b>02...04</b>	Available with spacing code 4	<table border="1"> <thead> <tr> <th colspan="2">Valve Spacing</th> </tr> </thead> <tbody> <tr> <td><b>4</b></td> <td>4.00 inch 101.6 mm</td> </tr> </tbody> </table>	Valve Spacing		<b>4</b>	4.00 inch 101.6 mm	<table border="1"> <thead> <tr> <th colspan="2">Port Threads</th> <th>P,A,B</th> <th>T</th> <th>X &amp; Y</th> <th>GA</th> </tr> </thead> <tbody> <tr> <td><b>P</b></td> <td>NPTF • ANSI B1.20.3</td> <td>0.75</td> <td>1.00</td> <td>0.38</td> <td>0.25</td> </tr> <tr> <td><b>S</b></td> <td>SAE • ISO 11926</td> <td>-12</td> <td>-16</td> <td>-6</td> <td>-6</td> </tr> <tr> <td><b>B</b></td> <td>BSPP • ISO 1179</td> <td>0.75</td> <td>1.00</td> <td>0.38</td> <td>none</td> </tr> <tr> <td><b>M</b></td> <td>ISO • ISO 6149</td> <td>M27</td> <td>M33</td> <td>M14</td> <td>none</td> </tr> <tr> <td><b>T</b></td> <td>BSPT • ISO 7</td> <td>0.75</td> <td>1.00</td> <td>0.38</td> <td>none</td> </tr> </tbody> </table>	Port Threads		P,A,B	T	X & Y	GA	<b>P</b>	NPTF • ANSI B1.20.3	0.75	1.00	0.38	0.25	<b>S</b>	SAE • ISO 11926	-12	-16	-6	-6	<b>B</b>	BSPP • ISO 1179	0.75	1.00	0.38	none	<b>M</b>	ISO • ISO 6149	M27	M33	M14	none	<b>T</b>	BSPT • ISO 7	0.75	1.00	0.38	none	<table border="1"> <thead> <tr> <th colspan="2">Options</th> </tr> </thead> <tbody> <tr> <td colspan="2">No options available.</td> </tr> </tbody> </table>	Options		No options available.	
Material																																																																												
<b>A</b>	Aluminum - 6061-T6 3000† psi • 20.7 MPa																																																																											
<b>D</b>	Ductile Iron - D4512 5000† psi • 34.5 MPa																																																																											
† Working pressure should be considered in accordance with ISO 4413 to determine appropriate material type.																																																																												
Circuit																																																																												
<b>S</b>	Series Circuit																																																																											
Valve Pattern																																																																												
<b>D07</b>	ISO 4401-07-06 NFPA T3.5.1-D07 See Tech Information																																																																											
No. of Stations																																																																												
Aluminum																																																																												
<b>02...04</b>	Available with spacing code 4																																																																											
Ductile Iron																																																																												
<b>02...04</b>	Available with spacing code 4																																																																											
Valve Spacing																																																																												
<b>4</b>	4.00 inch 101.6 mm																																																																											
Port Threads		P,A,B	T	X & Y	GA																																																																							
<b>P</b>	NPTF • ANSI B1.20.3	0.75	1.00	0.38	0.25																																																																							
<b>S</b>	SAE • ISO 11926	-12	-16	-6	-6																																																																							
<b>B</b>	BSPP • ISO 1179	0.75	1.00	0.38	none																																																																							
<b>M</b>	ISO • ISO 6149	M27	M33	M14	none																																																																							
<b>T</b>	BSPT • ISO 7	0.75	1.00	0.38	none																																																																							
Options																																																																												
No options available.																																																																												