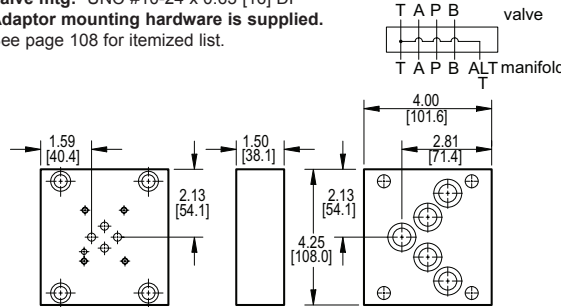


# Valve Adaptors for D06 Manifolds

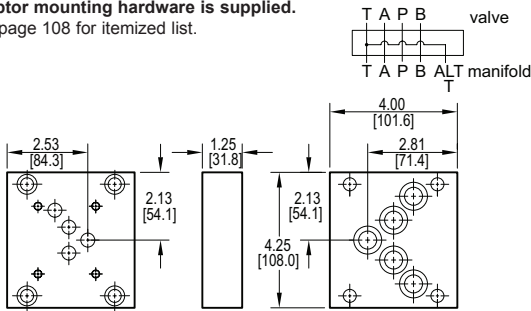
## Adapt D03 valve to D06 manifold

Valve mtg: UNC #10-24 x 0.63 [16] DP  
 Adaptor mounting hardware is supplied.  
 See page 108 for itemized list.



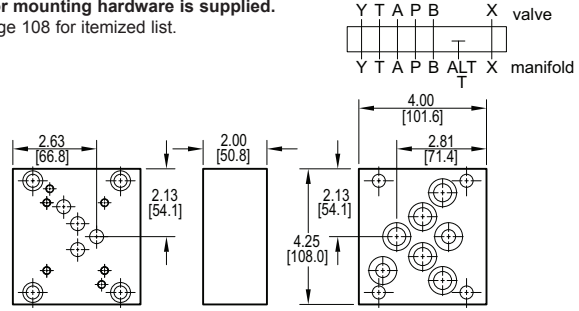
## Adapt D05 valve to D06 manifold

Valve mtg: UNC 0.25-20 x 0.56 [14.2] DP  
 Adaptor mounting hardware is supplied.  
 See page 108 for itemized list.



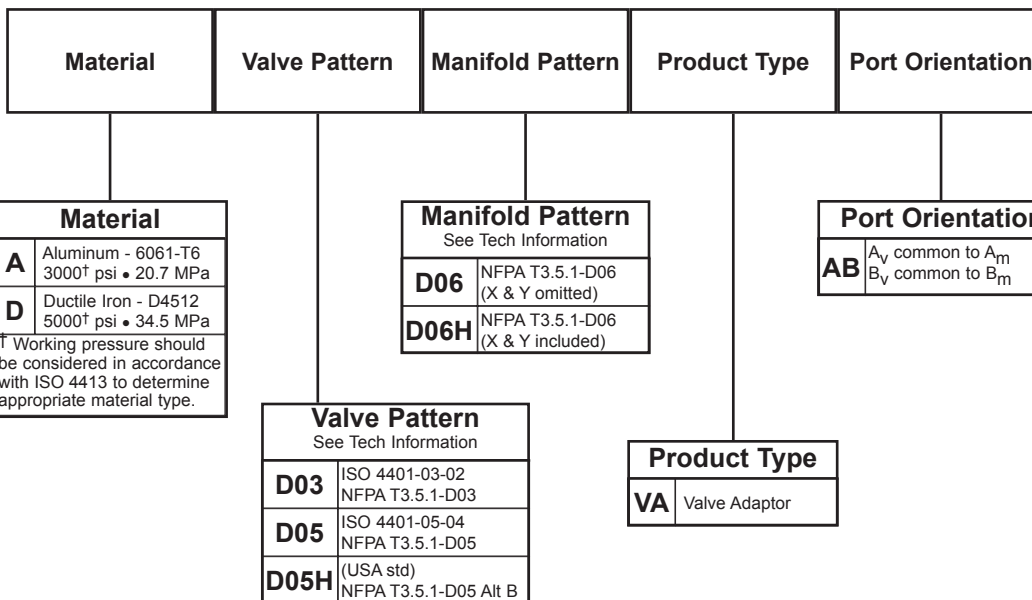
## Adapt D05H valve to D06H manifold

Valve mtg: UNC 0.25-20 x 0.50 [12.7] DP  
 Adaptor mounting hardware is supplied.  
 See page 108 for itemized list.



Specifications, descriptions, and dimensional data are subject to correction or change without notice or incurring obligation. Download latest catalog page revisions at [www.daman.com](http://www.daman.com).

# Ordering Information



For **coating options** see pages 245-246.