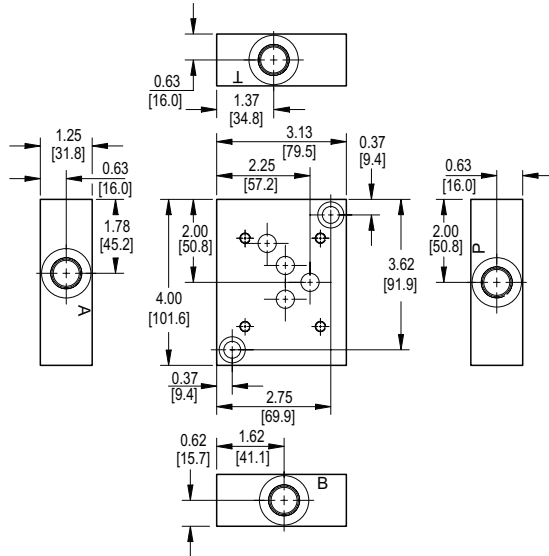


D05 Subplates

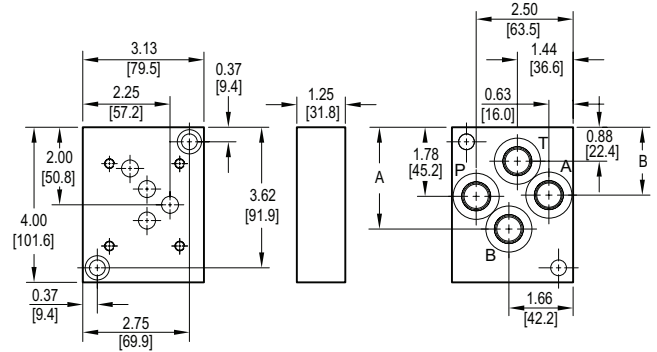
Side Ported Subplate

Valve mtg: UNC 0.25-20 x 0.75 DP or
Metric M6-1.0mm ISO 6H x [19.1] DP
Subplate hardware kit is supplied.
See page 134 for itemized list.



Back Ported Subplate

Valve mtg: UNC 0.25-20 x 0.75 DP or
Metric M6-1.0mm ISO 6H x [19.1] DP
Subplate hardware kit is supplied.
See page 134 for itemized list.



Dimension	A	B
*D05SPB6P	2.63 [66.8]	1.75 [44.5]
*D05SPB8B	2.94 [74.6]	2.00 [50.8]
*D05SPB8[M,P,S,T]	2.63 [66.8]	1.75 [44.5]

Specifications, descriptions, and dimensional data are subject to correction or change without notice or incurring obligation. Download latest catalog page revisions at www.daman.com.

Ordering Information



For **coating options**
see pages 245-246.

Material	
A	Aluminum - 6061-T6 3000† psi • 20.7 MPa
D	Ductile Iron - D4512 5000† psi • 34.5 MPa

† Working pressure should be considered in accordance with ISO 4413 to determine appropriate material type.

Product Type	
SP	Subplate

Port Threads	
6P	0.38-18 NPTF ANSI B1.20.3
8P	0.50-14 NPTF ANSI B1.20.3
8S	-8 SAE ISO 11926; SAE 1926
8B	0.50-14 BSPP ISO 1179; BS 2779
8M	M18 x 1.5 ISO 6149
8T	0.50-14 BSPT ISO 7; BS 21

Port Location	
S	Side ported
B	Back Ported

Valve Pattern	
D05	ISO 4401-05-04 NFFPA T3.5.1-D05 See Tech Information

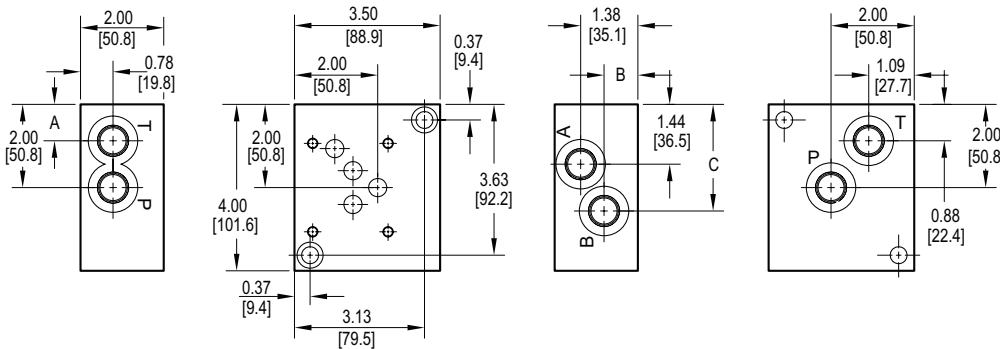
D05 Subplates

Dual Ported Subplate

Valve mtg: UNC 0.25-20 x 0.56 DP or
Metric M6-1.0mm ISO 6H x [14.2] DP

Subplate hardware kit is supplied.

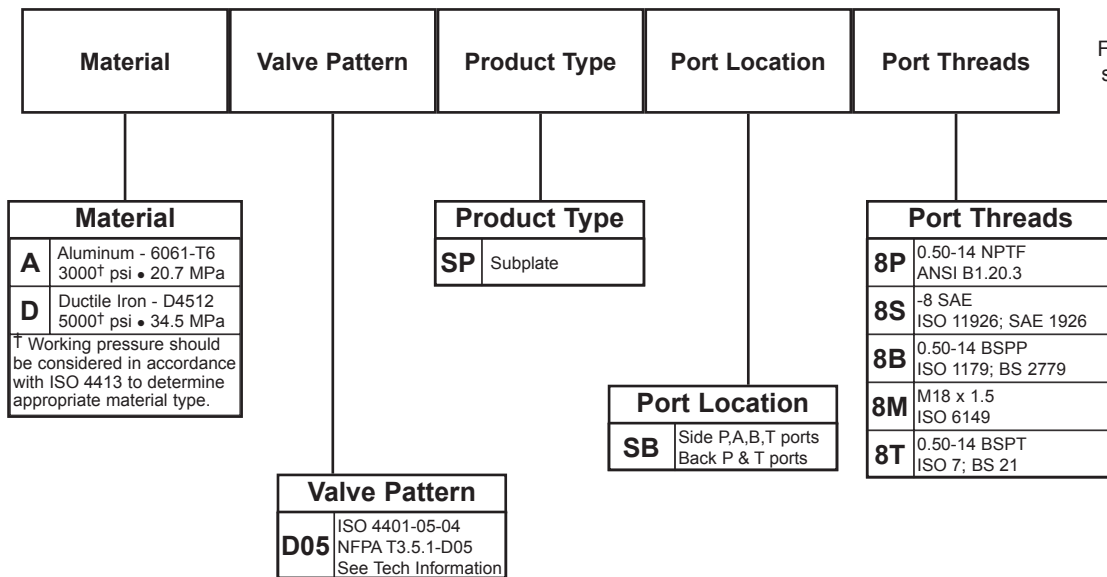
See page 134 for itemized list.



Dimension	A	B	C
*D05SPSB8B	0.66 [16.7]	0.78 [19.8]	2.81 [71.4]
*D05SPSB8[M,P,S,T]	0.88 [22.2]	1.38 [35.1]	2.56 [65.1]

Specifications, descriptions, and dimensional data are subject to correction or change without notice or incurring obligation. Download latest catalog page revisions at www.daman.com.

Ordering Information

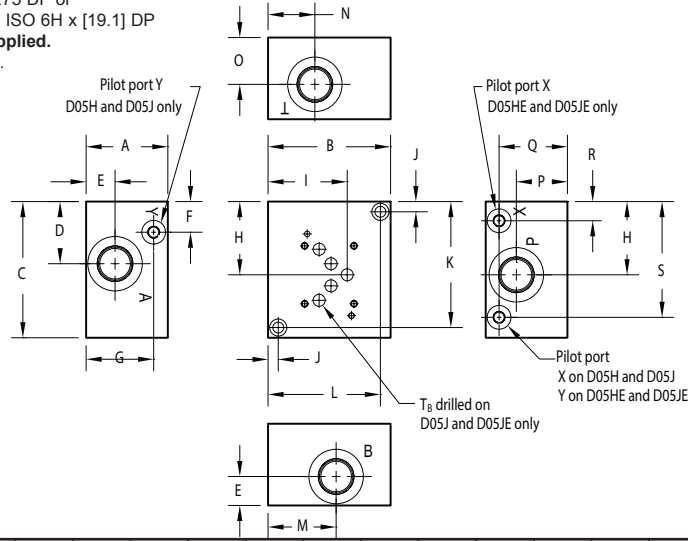


For coating options see pages 245-246.

D05 High Flow Subplates with Pilot Ports

Side Ported Subplate

Valve mtg: UNC 0.25-20 x 0.75 DP or
Metric M6-1.0mm ISO 6H x [19.1] DP
Subplate hardware kit is supplied.
See page 134 for itemized list.



Dimension	A	B	C	D	E	F	G	H	I	J	K	L	M	N	O	P	Q	R	S
D05HSPS12	1.75 [44.5]	3.75 [95.3]	4.75 [120.7]	2.13 [54.1]	0.88 [22.4]	0.81 [20.6]	0.88 [22.4]	2.37 [60.2]	2.53 [64.3]	0.38 [9.5]	4.37 [111.0]	3.38 [85.9]	1.88 [47.8]	1.88 [47.8]	0.88 [22.4]	0.88 [22.4]	0.88 [22.4]	--	3.94 [100.1]
D05HESPS12	1.75 [44.5]	3.75 [95.3]	4.75 [120.7]	2.13 [54.1]	0.88 [22.4]	--	--	2.37 [60.2]	2.53 [64.3]	0.38 [9.5]	4.37 [111.0]	3.38 [85.9]	1.88 [47.8]	1.88 [47.8]	0.88 [22.4]	0.88 [22.4]	0.44 [11.2]	1.00 [25.4]	3.94 [100.1]
D05JSPS16	3.00 [76.2]	4.50 [114.3]	5.00 [127.0]	2.28 [57.9]	1.06 [27.0]	1.25 [31.8]	2.50 [63.5]	2.69 [68.3]	2.91 [73.8]	0.38 [9.5]	4.63 [117.5]	4.13 [104.8]	2.50 [63.5]	1.72 [43.7]	1.72 [43.7]	1.88 [47.6]	2.50 [63.5]	--	4.19 [106.4]
D05JESPS16	3.00 [76.2]	4.50 [114.3]	5.00 [127.0]	2.28 [57.9]	1.06 [27.0]	--	--	2.69 [68.3]	2.91 [73.8]	0.38 [9.5]	4.63 [117.5]	4.13 [104.8]	2.50 [63.5]	1.72 [43.7]	1.72 [43.7]	1.88 [47.6]	2.25 [57.2]	1.13 [28.6]	4.25 [108.0]

Specifications, descriptions, and dimensional data are subject to correction or change without notice or incurring obligation. Download latest catalog page revisions at www.daman.com.

Ordering Information

Material	Valve Pattern	Product Type	Port Location	Port Threads
----------	---------------	--------------	---------------	--------------

For coating options see pages 245-246.

Material	
A	Aluminum - 6061-T6 3000† psi • 20.7 MPa
D	Ductile Iron - D4512 5000† psi • 34.5 MPa

† Working pressure should be considered in accordance with ISO 4413 to determine appropriate material type.

Valve Pattern	
See Tech Information	
D05H	(USA std.) NFFPA T3.5.1-D05 Alt B High flow
D05HE	ISO 4401-05-05 NFFPA T3.5.1-D05 Alt A High flow
D05J	(USA std.) NFFPA T3.5.1-D05 Alt B Extra high flow
D05JE	ISO 4401-05-05 NFFPA T3.5.1-D05 Alt A Extra high flow

Port Location	
S	Side ported

P, T, A, B Port Threads			X & Y port size (reference)
D05H or D05HE only	D05J or D05JE only		
12P	0.75-14 NPTF ANSI B1.20.3	16P	1.00-11.5 NPTF ANSI B1.20.3
12S	-12 SAE ISO 11926; SAE 1926	16S	-16 SAE ISO 11926; SAE 1926
12B	0.75-14 BSPP ISO 1179; BS 2779	16B	1.00-11 BSPP ISO 1179; BS 2779
12M	M27 x 2.0 ISO 6149	16M	M33 x 2.0 ISO 6149
12T	0.75-14 BSPT ISO 7; BS 21	16T	1.00-11 BSPT ISO 7; BS 21

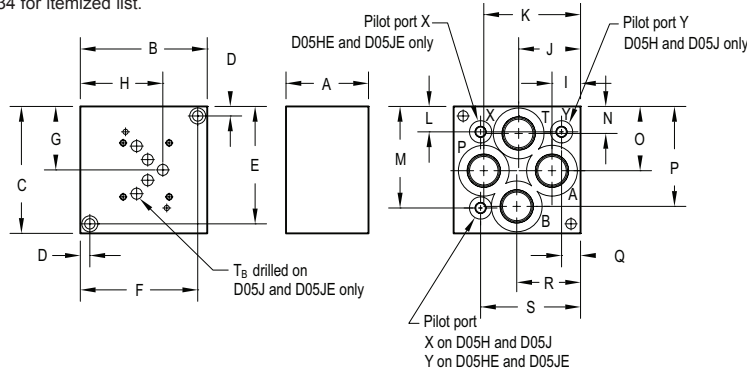
Product Type	
SP	Subplate

Custom Products
Standard Manifolds
Cover Plates
Valve Adaptors
Subplates
Servo Valve Subplates
Tapping Plates
DIN Cartridge Valve Bodies
Header and Junction Blocks
Technical Information

D05 High Flow Subplates with Pilot Ports

Back Ported Subplate

Valve mtg: UNC 0.25-20 x 0.75 DP or
Metric M6-1.0mm ISO 6H x [19.1] DP
Subplate hardware kit is supplied.
See page 134 for itemized list.



Dimension	A	B	C	D	E	F	G	H	I	J	K	L	M	N	O	P	Q	R	S
D05HSPB12	1.75 [44.5]	4.50 [114.3]	4.75 [120.7]	0.38 [9.5]	4.38 [111.3]	4.13 [104.9]	2.37 [60.2]	2.91 [73.9]	1.13 [28.6]	2.19 [55.6]	3.31 [84.1]	0.88 [22.2]	3.88 [98.4]	1.13 [28.7]	2.38 [60.5]	3.56 [90.4]	0.59 [15.1]	2.25 [57.2]	3.56 [90.5]
D05HESPB12	1.75 [44.5]	4.50 [114.3]	4.75 [120.7]	0.38 [9.5]	4.38 [111.3]	4.13 [104.9]	2.37 [60.2]	2.91 [73.9]	1.13 [28.6]	2.25 [57.2]	3.31 [84.1]	0.81 [20.6]	3.94 [100.1]	1.13 [28.7]	2.38 [60.5]	3.56 [90.4]	--	2.25 [57.2]	3.50 [88.9]
*D05JSPB16B	3.25 [82.6]	5.00 [127.0]	5.00 [127.0]	0.38 [9.5]	4.63 [117.5]	4.63 [117.5]	2.50 [63.5]	3.25 [82.6]	1.00 [25.4]	2.44 [61.9]	3.84 [97.6]	0.88 [22.2]	4.13 [104.8]	1.00 [25.4]	2.53 [64.3]	4.00 [101.6]	0.75 [19.1]	2.44 [61.9]	4.25 [108.0]
*D05JSPB16[M,P,S,T]	3.25 [82.6]	5.00 [127.0]	5.00 [127.0]	0.38 [9.5]	4.63 [117.5]	4.63 [117.5]	2.50 [63.5]	3.25 [82.6]	1.13 [28.6]	2.44 [61.9]	3.81 [96.8]	1.06 [27.0]	4.00 [101.6]	1.06 [27.0]	2.53 [64.3]	3.94 [100.1]	0.75 [19.1]	2.44 [61.9]	3.94 [100.1]
D05JESPB16	3.25 [82.6]	5.00 [127.0]	5.00 [127.0]	0.38 [9.5]	4.63 [117.5]	4.63 [117.5]	2.50 [63.5]	3.25 [82.6]	1.00 [25.4]	2.44 [61.9]	3.84 [97.6]	1.00 [25.4]	4.00 [101.6]	1.00 [25.4]	2.53 [64.3]	4.00 [101.6]	--	2.44 [61.9]	3.94 [100.1]

Specifications, descriptions, and dimensional data are subject to correction or change without notice or incurring obligation. Download latest catalog page revisions at www.daman.com.

Ordering Information

Material	Valve Pattern	Product Type	Port Location	Port Threads
----------	---------------	--------------	---------------	--------------

For **coating options** see pages 245-246.

Material	
A	Aluminum - 6061-T6 3000 [†] psi • 20.7 MPa
D	Ductile Iron - D4512 5000 [†] psi • 34.5 MPa

[†] Working pressure should be considered in accordance with ISO 4413 to determine appropriate material type.

Valve Pattern	
See Tech Information	
D05H	(USA std.) NFPA T3.5.1-D05 Alt B High flow
D05HE	ISO 4401-05-05 NFPA T3.5.1-D05 Alt A High flow
D05J	(USA std.) NFPA T3.5.1-D05 Alt B Extra high flow
D05JE	ISO 4401-05-05 NFPA T3.5.1-D05 Alt A Extra high flow

Port Location	
B	Back ported

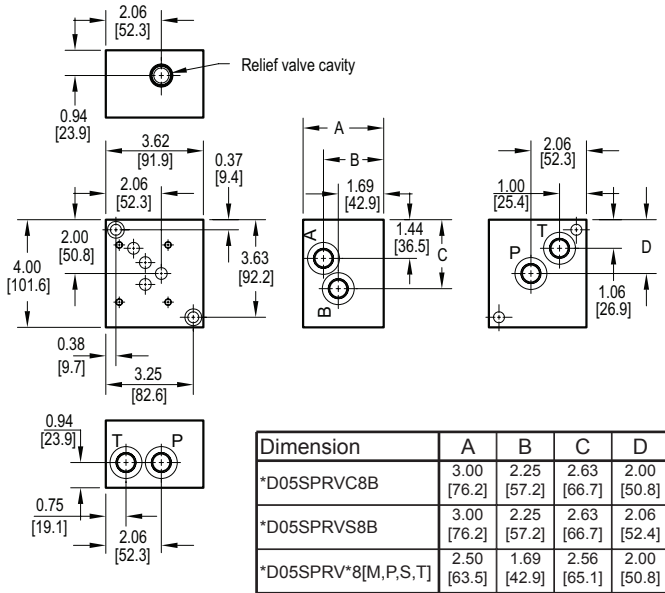
P, T, A, B Port Threads			X & Y port size (reference)	
D05H or D05HE only	D05J or D05JE only			
12P	0.75-14 NPTF ANSI B1.20.3	16P	1.00-11.5 NPTF ANSI B1.20.3	0.25-18 NPTF ANSI B1.20.3
12S	-12 SAE ISO 11926; SAE 1926	16S	-16 SAE ISO 11926; SAE 1926	-4 SAE ISO 11926; SAE 1926
12B	0.75-14 BSPP ISO 1179; BS 2779	16B	1.00-11 BSPP ISO 1179; BS 2779	0.25-19 BSPP ISO 1179; BS 2779
12M	M27 x 2.0 ISO 6149	16M	M33 x 2.0 ISO 6149	M10 x 1.0 ISO 6149
12T	0.75-14 BSPT ISO 7; BS 21	16T	1.00-11 BSPT ISO 7; BS 21	0.25-19 BSPT ISO 7; BS 21

Product Type	
SP	Subplate

D05 Subplates with Relief Cavity

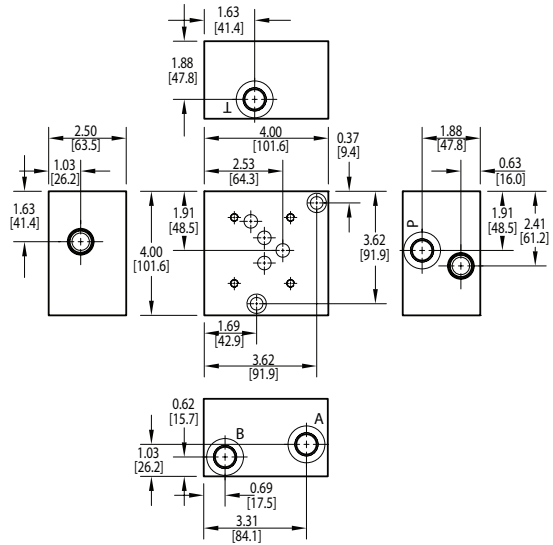
Dual Ported Subplate with Main Relief Cavity

Valve mtg: UNC 0.25-20 x 0.75 DP or
Metric M6-1.0mm ISO 6H x [19.1] DP
Subplate hardware kit is supplied.
See page 134 for itemized list.



Side Ported Subplate with Cylinder Port Crossover Relief Cavities

Valve mtg: UNC 0.25-20 x 0.75 DP or
Metric M6-1.0mm ISO 6H x [19.1] DP
Subplate hardware kit is supplied.
See page 135 for itemized list.



Specifications, descriptions, and dimensional data are subject to correction or change without notice or incurring obligation. Download latest catalog page revisions at www.daman.com.

Ordering Information

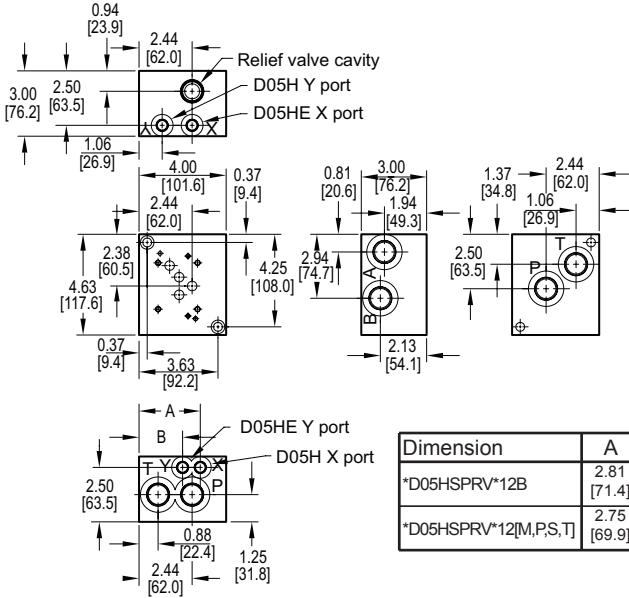
For coating options
see pages 245-246.

Material	Valve Pattern	Product Type	Circuit	Relief Cavity	Port Threads																																										
<table border="1"> <thead> <tr> <th colspan="2">Material</th> </tr> </thead> <tbody> <tr> <td>A</td> <td>Aluminum - 6061-T6 3000[†] psi • 20.7 MPa</td> </tr> <tr> <td>D</td> <td>Ductile Iron - D4512 5000[†] psi • 34.5 MPa</td> </tr> <tr> <td colspan="2">[†] Working pressure should be considered in accordance with ISO 4413 to determine appropriate material type.</td> </tr> </tbody> </table>	Material		A	Aluminum - 6061-T6 3000 [†] psi • 20.7 MPa	D	Ductile Iron - D4512 5000 [†] psi • 34.5 MPa	[†] Working pressure should be considered in accordance with ISO 4413 to determine appropriate material type.		<table border="1"> <thead> <tr> <th colspan="2">Valve Pattern</th> </tr> </thead> <tbody> <tr> <td>D05</td> <td>ISO 4401-05-04 NFPA T3.5.1-D05 See Tech Information</td> </tr> </tbody> </table>	Valve Pattern		D05	ISO 4401-05-04 NFPA T3.5.1-D05 See Tech Information	<table border="1"> <thead> <tr> <th colspan="2">Product Type</th> </tr> </thead> <tbody> <tr> <td>SP</td> <td>Subplate</td> </tr> </tbody> </table>	Product Type		SP	Subplate	<table border="1"> <thead> <tr> <th colspan="2">Circuit</th> </tr> </thead> <tbody> <tr> <td>RV</td> <td>Main Relief P to T</td> </tr> <tr> <td>CR</td> <td>Crossover Reliefs A to B and B to A</td> </tr> </tbody> </table>	Circuit		RV	Main Relief P to T	CR	Crossover Reliefs A to B and B to A	<table border="1"> <thead> <tr> <th colspan="2">Relief Cavity</th> </tr> </thead> <tbody> <tr> <td colspan="2">Omit if cavity not required</td> </tr> <tr> <td>C</td> <td>Common cavity: C-10-2 (P in nose) For valves w/1" hex max.</td> </tr> <tr> <td>S</td> <td>Sun Cavity: T-10A (P in nose) See Tech Info for valves.</td> </tr> </tbody> </table>	Relief Cavity		Omit if cavity not required		C	Common cavity: C-10-2 (P in nose) For valves w/1" hex max.	S	Sun Cavity: T-10A (P in nose) See Tech Info for valves.	<table border="1"> <thead> <tr> <th colspan="2">Port Threads</th> </tr> </thead> <tbody> <tr> <td>8P</td> <td>0.50-14 NPTF ANSI B1.20.3</td> </tr> <tr> <td>8S</td> <td>-8 SAE ISO 11926; SAE 1926</td> </tr> <tr> <td>8B</td> <td>0.50-14 BSPP ISO 1179; BS 2779</td> </tr> <tr> <td>8M</td> <td>M18 x 1.5 ISO 6149</td> </tr> <tr> <td>8T</td> <td>0.50-14 BSPT ISO 7; BS 21</td> </tr> </tbody> </table>	Port Threads		8P	0.50-14 NPTF ANSI B1.20.3	8S	-8 SAE ISO 11926; SAE 1926	8B	0.50-14 BSPP ISO 1179; BS 2779	8M	M18 x 1.5 ISO 6149	8T	0.50-14 BSPT ISO 7; BS 21
Material																																															
A	Aluminum - 6061-T6 3000 [†] psi • 20.7 MPa																																														
D	Ductile Iron - D4512 5000 [†] psi • 34.5 MPa																																														
[†] Working pressure should be considered in accordance with ISO 4413 to determine appropriate material type.																																															
Valve Pattern																																															
D05	ISO 4401-05-04 NFPA T3.5.1-D05 See Tech Information																																														
Product Type																																															
SP	Subplate																																														
Circuit																																															
RV	Main Relief P to T																																														
CR	Crossover Reliefs A to B and B to A																																														
Relief Cavity																																															
Omit if cavity not required																																															
C	Common cavity: C-10-2 (P in nose) For valves w/1" hex max.																																														
S	Sun Cavity: T-10A (P in nose) See Tech Info for valves.																																														
Port Threads																																															
8P	0.50-14 NPTF ANSI B1.20.3																																														
8S	-8 SAE ISO 11926; SAE 1926																																														
8B	0.50-14 BSPP ISO 1179; BS 2779																																														
8M	M18 x 1.5 ISO 6149																																														
8T	0.50-14 BSPT ISO 7; BS 21																																														

D05 High Flow Subplates with Pilot Ports and Relief Cavity

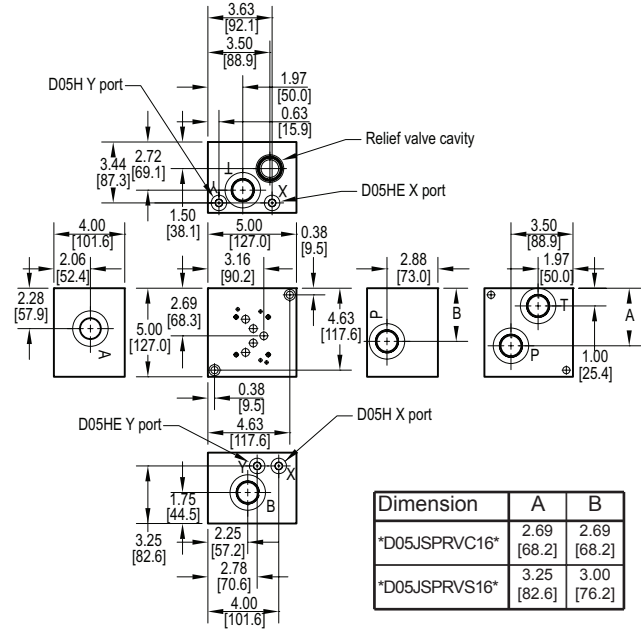
D05H High Flow Subplate with Main Relief Cavity

Valve mtg: UNC 0.25-20 x 0.75 DP or Metric M6-1.0mm ISO 6H x [19.1] DP
 Subplate hardware kit is supplied. See page 134 for itemized list.



D05J Extra High Flow Subplate with Main Relief Cavity

Valve mtg: UNC 0.25-20 x 0.75 DP or Metric M6-1.0mm ISO 6H x [19.1] DP
 Subplate hardware kit is supplied. See page 135 for itemized list.



Specifications, descriptions, and dimensional data are subject to correction or change without notice or incurring obligation. Download latest catalog page revisions at www.daman.com.

Ordering Information

Material	Valve Pattern	Product Type	Circuit	Relief Cavity	Port Threads
----------	---------------	--------------	---------	---------------	--------------

For coating options see pages 245-246.

Material	
A	Aluminum - 6061-T6 3000† psi • 20.7 MPa
D	Ductile Iron - D4512 5000† psi • 34.5 MPa

† Working pressure should be considered in accordance with ISO 4413 to determine appropriate material type.

Product Type	
SP	Subplate

Circuit	
RV	Main Relief P to T

Valve Pattern	
See Tech Information	
D05H	ISO 4401-05-05 NFPA T3.5.1-D05 Alt A & B High flow
D05J	ISO 4401-05-05 NFPA T3.5.1-D05 Alt A & B Extra high flow

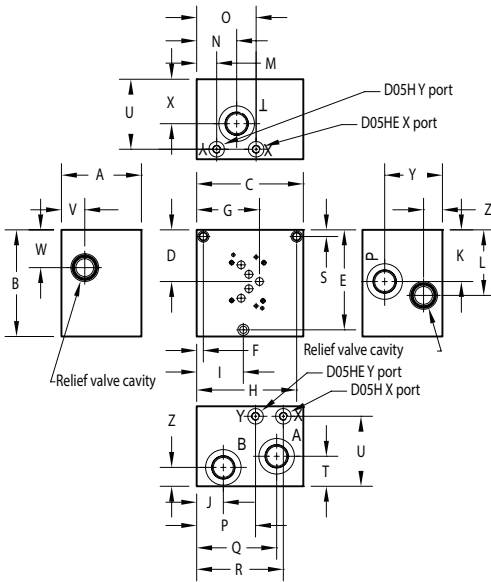
Relief Cavity	
C	Common cavity C-10-2 on D05H (P in nose) C-10-2 for valves w/1" hex max. C-16-2 on D05J (P in nose)
S	Sun Cavity T-3A on D05H (P in nose) T-16A on D05J (P in nose) See Tech Info for valves

P, T, A, B Port Threads			X & Y port size (reference)	
D05H only		D05J only		
12P	0.75-14 NPTF ANSI B1.20.3	16P	1.00-11.5 NPTF ANSI B1.20.3	0.25-18 NPTF ANSI B1.20.3
12S	-12 SAE ISO 11926; SAE 1926	16S	-16 SAE ISO 11926; SAE 1926	-4 SAE ISO 11926; SAE 1926
12B	0.75-14 BSPP ISO 1179; BS 2779	16B	1.00-11 BSPP ISO 1179; BS 2779	0.25-19 BSPP ISO 1179; BS 2779
12M	M27 x 2.0 ISO 6149	16M	M33 x 2.0 ISO 6149	M10 x 1.0 ISO 6149
12T	0.75-14 BSPT ISO 7; BS 21	16T	1.00-11 BSPT ISO 7; BS 21	0.25-19 BSPT ISO 7; BS 21

D05 High Flow Subplates with Pilot Ports and Relief Cavity

Side Ported Subplate with Cylinder Port
Crossover Relief Cavities

Valve mtg: UNC 0.25-20 x 0.75 DP or
Metric M6-1.0mm ISO 6H x [19.1] DP
Subplate hardware kit is supplied.
See page 135 for itemized list.



Dimension	A	B	C	D	E	F	G	H	I
*D05HSPCR*12*	4.50 [114.3]	5.00 [127.0]	5.00 [127.0]	2.41 [61.1]	4.63 [117.5]	--	3.03 [77.0]	4.63 [117.5]	2.13 [54.0]
*D05JSPCR*16*	4.50 [114.3]	5.00 [127.0]	5.00 [127.0]	2.41 [61.1]	4.63 [117.5]	--	3.03 [77.0]	4.63 [117.5]	2.13 [54.0]
*D05JSPCRS*16*	4.50 [114.3]	6.00 [152.4]	6.00 [152.4]	2.91 [73.8]	5.63 [142.9]	0.38 [9.7]	3.53 [89.7]	5.63 [142.9]	2.63 [66.7]

Dimension	J	K	L	M	N	O	P	Q	R
*D05HSPCR*12*	1.00 [25.4]	2.41 [61.1]	3.00 [76.2]	0.63 [15.9]	2.00 [50.8]	2.85 [72.3]	2.81 [71.4]	4.00 [101.6]	4.38 [111.1]
*D05JSPCR*16*	1.00 [25.4]	2.41 [61.1]	3.00 [76.2]	0.63 [15.9]	1.75 [44.5]	2.85 [72.3]	2.81 [71.4]	4.00 [101.6]	4.38 [111.1]
*D05JSPCRS*16*	1.50 [38.1]	2.91 [73.8]	3.69 [93.7]	1.13 [28.6]	2.25 [57.2]	3.35 [85.0]	3.31 [84.1]	4.50 [114.3]	4.88 [124.0]

Dimension	S	T	U	V	W	X	Y	Z
*D05HSPCR*12*	0.38 [9.5]	1.69 [42.9]	3.94 [100.0]	1.47 [37.3]	1.75 [44.5]	2.50 [63.5]	3.25 [82.6]	1.28 [32.5]
*D05HSPCRS*12*	0.38 [9.5]	1.69 [42.9]	3.94 [100.0]	1.31 [33.3]	1.75 [44.5]	2.50 [63.5]	3.25 [82.6]	1.06 [27.0]
*D05JSPCR*16*	0.38 [9.5]	1.69 [42.9]	3.94 [100.0]	1.31 [33.3]	1.75 [44.5]	2.50 [63.5]	3.25 [82.6]	1.06 [27.0]
*D05JSPCRS*16*	0.38 [9.5]	1.69 [42.9]	3.94 [100.0]	1.31 [33.3]	2.13 [54.0]	2.50 [63.5]	3.25 [82.6]	1.06 [27.0]

Specifications, descriptions, and dimensional data are subject to correction or change without notice or incurring obligation. Download latest catalog page revisions at www.daman.com.

Ordering Information

Material	Valve Pattern	Product Type	Circuit	Relief Cavity	Port Threads																																																																		
<table border="1"> <tr> <th colspan="2">Material</th> </tr> <tr> <td>A</td> <td>Aluminum - 6061-T6 3000† psi • 20.7 MPa</td> </tr> <tr> <td>D</td> <td>Ductile Iron - D4512 5000† psi • 34.5 MPa</td> </tr> <tr> <td colspan="2">† Working pressure should be considered in accordance with ISO 4413 to determine appropriate material type.</td> </tr> </table>	Material		A	Aluminum - 6061-T6 3000† psi • 20.7 MPa	D	Ductile Iron - D4512 5000† psi • 34.5 MPa	† Working pressure should be considered in accordance with ISO 4413 to determine appropriate material type.		<table border="1"> <tr> <th colspan="2">Valve Pattern</th> </tr> <tr> <td colspan="2">See Tech Information</td> </tr> <tr> <td>D05H</td> <td>ISO 4401-05-05 NFPA T3.5.1-D05 Alt A & B High flow</td> </tr> <tr> <td>D05J</td> <td>ISO 4401-05-05 NFPA T3.5.1-D05 Alt A & B Extra high flow</td> </tr> </table>	Valve Pattern		See Tech Information		D05H	ISO 4401-05-05 NFPA T3.5.1-D05 Alt A & B High flow	D05J	ISO 4401-05-05 NFPA T3.5.1-D05 Alt A & B Extra high flow	<table border="1"> <tr> <th colspan="2">Product Type</th> </tr> <tr> <td>SP</td> <td>Subplate</td> </tr> </table>	Product Type		SP	Subplate	<table border="1"> <tr> <th colspan="2">Circuit</th> </tr> <tr> <td>CR</td> <td>Crossover Reliefs A to B and B to A</td> </tr> </table>	Circuit		CR	Crossover Reliefs A to B and B to A	<table border="1"> <tr> <th colspan="2">Relief Cavity</th> </tr> <tr> <td>C</td> <td>Common cavity C-10-2 on D05H (P in nose) C-10-2 for valves w/1" hex max. C-16-2 on D05J (P in nose)</td> </tr> <tr> <td>S</td> <td>Sun Cavity T-3A on D05H (P in nose) T-16A on D05J (P in nose) See Tech Info for valves</td> </tr> </table>	Relief Cavity		C	Common cavity C-10-2 on D05H (P in nose) C-10-2 for valves w/1" hex max. C-16-2 on D05J (P in nose)	S	Sun Cavity T-3A on D05H (P in nose) T-16A on D05J (P in nose) See Tech Info for valves	<p>For coating options see pages 245-246.</p> <table border="1"> <tr> <th colspan="3">P, T, A, B Port Threads</th> </tr> <tr> <th colspan="2">D05H only</th> <th>D05J only</th> </tr> <tr> <td>12P</td> <td>0.75-14 NPTF ANSI B1.20.3</td> <td>16P</td> <td>1.00-11.5 NPTF ANSI B1.20.3</td> <td>X & Y port size (reference)</td> </tr> <tr> <td>12S</td> <td>-12 SAE ISO 11926; SAE 1926</td> <td>16S</td> <td>-16 SAE ISO 11926; SAE 1926</td> <td>-4 SAE ISO 11926; SAE 1926</td> </tr> <tr> <td>12B</td> <td>0.75-14 BSPP ISO 1179; BS 2779</td> <td>16B</td> <td>1.00-11 BSPP ISO 1179; BS 2779</td> <td>0.25-18 NPTF ANSI B1.20.3</td> </tr> <tr> <td>12M</td> <td>M27 x 2.0 ISO 6149</td> <td>16M</td> <td>M33 x 2.0 ISO 6149</td> <td>0.25-19 BSPP ISO 1179; BS 2779</td> </tr> <tr> <td>12T</td> <td>0.75-14 BSPT ISO 7; BS 21</td> <td>16T</td> <td>1.00-11 BSPT ISO 7; BS 21</td> <td>M10 x 1.0 ISO 6149</td> </tr> <tr> <td></td> <td></td> <td></td> <td></td> <td>0.25-19 BSPT ISO 7; BS 21</td> </tr> </table>	P, T, A, B Port Threads			D05H only		D05J only	12P	0.75-14 NPTF ANSI B1.20.3	16P	1.00-11.5 NPTF ANSI B1.20.3	X & Y port size (reference)	12S	-12 SAE ISO 11926; SAE 1926	16S	-16 SAE ISO 11926; SAE 1926	-4 SAE ISO 11926; SAE 1926	12B	0.75-14 BSPP ISO 1179; BS 2779	16B	1.00-11 BSPP ISO 1179; BS 2779	0.25-18 NPTF ANSI B1.20.3	12M	M27 x 2.0 ISO 6149	16M	M33 x 2.0 ISO 6149	0.25-19 BSPP ISO 1179; BS 2779	12T	0.75-14 BSPT ISO 7; BS 21	16T	1.00-11 BSPT ISO 7; BS 21	M10 x 1.0 ISO 6149					0.25-19 BSPT ISO 7; BS 21
Material																																																																							
A	Aluminum - 6061-T6 3000† psi • 20.7 MPa																																																																						
D	Ductile Iron - D4512 5000† psi • 34.5 MPa																																																																						
† Working pressure should be considered in accordance with ISO 4413 to determine appropriate material type.																																																																							
Valve Pattern																																																																							
See Tech Information																																																																							
D05H	ISO 4401-05-05 NFPA T3.5.1-D05 Alt A & B High flow																																																																						
D05J	ISO 4401-05-05 NFPA T3.5.1-D05 Alt A & B Extra high flow																																																																						
Product Type																																																																							
SP	Subplate																																																																						
Circuit																																																																							
CR	Crossover Reliefs A to B and B to A																																																																						
Relief Cavity																																																																							
C	Common cavity C-10-2 on D05H (P in nose) C-10-2 for valves w/1" hex max. C-16-2 on D05J (P in nose)																																																																						
S	Sun Cavity T-3A on D05H (P in nose) T-16A on D05J (P in nose) See Tech Info for valves																																																																						
P, T, A, B Port Threads																																																																							
D05H only		D05J only																																																																					
12P	0.75-14 NPTF ANSI B1.20.3	16P	1.00-11.5 NPTF ANSI B1.20.3	X & Y port size (reference)																																																																			
12S	-12 SAE ISO 11926; SAE 1926	16S	-16 SAE ISO 11926; SAE 1926	-4 SAE ISO 11926; SAE 1926																																																																			
12B	0.75-14 BSPP ISO 1179; BS 2779	16B	1.00-11 BSPP ISO 1179; BS 2779	0.25-18 NPTF ANSI B1.20.3																																																																			
12M	M27 x 2.0 ISO 6149	16M	M33 x 2.0 ISO 6149	0.25-19 BSPP ISO 1179; BS 2779																																																																			
12T	0.75-14 BSPT ISO 7; BS 21	16T	1.00-11 BSPT ISO 7; BS 21	M10 x 1.0 ISO 6149																																																																			
				0.25-19 BSPT ISO 7; BS 21																																																																			