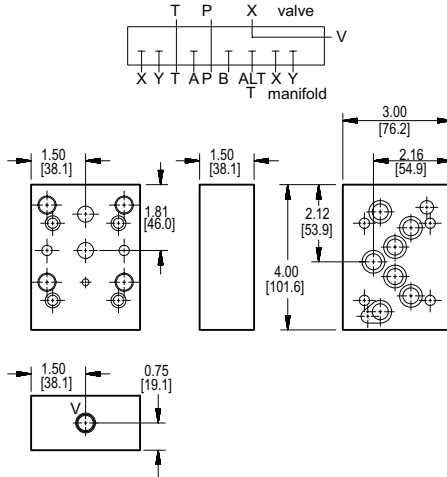


Relief Valve Adaptors for D05(H) Manifolds

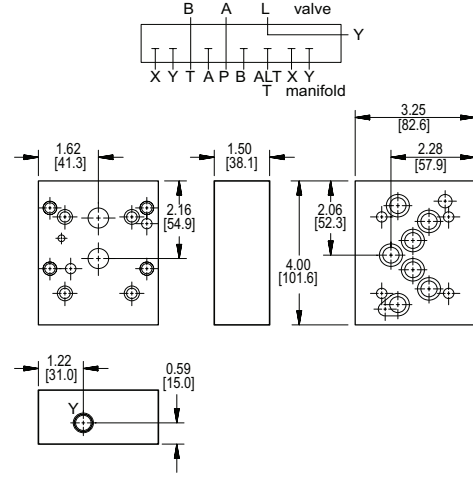
Adapt I06 (NFPA R06) valve to D05H manifold

Valve mtg: UNC 0.50-13 x 1.00 DP or
Metric M12 x 1.75mm ISO 6H x [25.4] DP
Vent port: 0.25 NPTF or 0.25 BSPT (M option).
Adaptor mounting hardware is supplied.
See page 108 for itemized list.



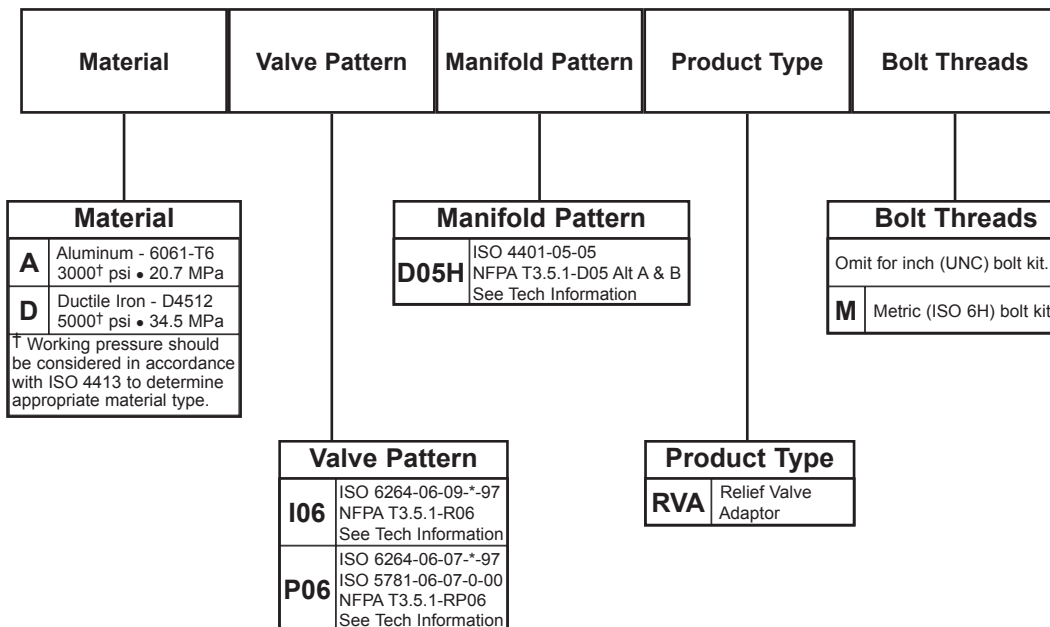
Adapt P06 valve to D05H manifold

Valve mtg: UNC 0.38-16 x 1.00 DP or
Metric M10-1.5mm ISO 6H x [25.4] DP
Vent port: 0.25 NPTF or 0.25 BSPT (M option).
Adaptor mounting hardware is supplied.
See page 108 for itemized list.



Specifications, descriptions, and dimensional data are subject to correction or change without notice or incurring obligation. Download latest catalog page revisions at www.daman.com.

Ordering Information



For **coating options** see pages 245-246.