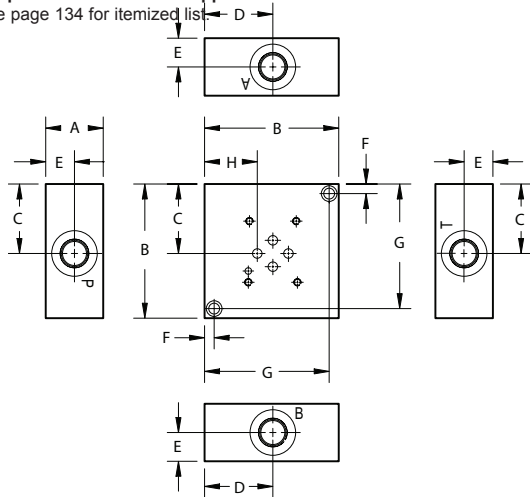


D03 Subplates

Side Ported Subplate

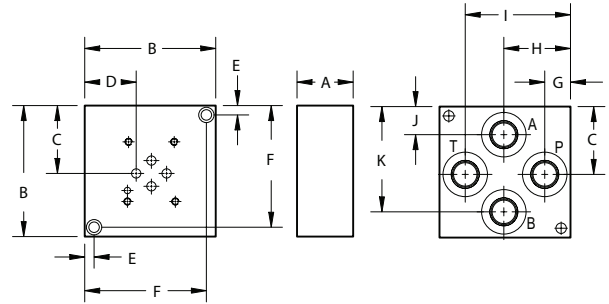
Valve mtg: UNC #10-24 x 0.63 DP or
Metric M5-0.8mm ISO 6H x [16] DP
Subplate hardware kit is supplied.
See page 134 for itemized list.



Dimension	A	B	C	D	E	F	G	H
*D03SPS4P	1.00	2.50	1.31	1.25	0.50	0.25	2.25	0.88
D03SPS6	[25.4]	[63.5]	[33.3]	[31.8]	[12.7]	[6.4]	[57.2]	[22.4]
D03SPS8	1.50	3.50	1.81	1.78	0.75	0.25	3.25	1.38
	[38.1]	[88.9]	[46.0]	[45.2]	[19.1]	[6.4]	[82.6]	[34.9]
D03SPS12	1.75	4.00	2.06	2.03	0.88	0.38	3.63	1.63
	[44.5]	[101.6]	[52.4]	[51.6]	[22.2]	[9.5]	[92.1]	[41.3]

Back Ported Subplate

Valve mtg: UNC #10-24 x 0.63 DP or
Metric M5-0.8mm ISO 6H x [16] DP
Subplate hardware kit is supplied.
See page 134 for itemized list.



Dimension	A	B	C	D	E	F	G	H	I	J	K
*D03SPB4P	1.00	2.50	1.31	0.88	0.25	2.25	0.66	1.28	1.91	0.75	1.88
	[25.4]	[63.5]	[33.3]	[22.4]	[6.4]	[57.2]	[16.7]	[32.5]	[48.4]	[19.1]	[47.6]
*D03SPB6B	1.00	2.50	1.25	0.84	0.25	2.25	0.51	1.25	1.98	0.52	1.97
	[25.4]	[63.5]	[31.8]	[21.4]	[6.4]	[57.2]	[13.0]	[31.8]	[50.4]	[13.2]	[50.0]
*D03SPB6[M,P,S,T]	1.00	2.50	1.31	0.88	0.25	2.25	0.59	1.28	1.97	0.69	1.94
	[25.4]	[63.5]	[33.3]	[22.4]	[6.4]	[57.2]	[15.1]	[32.5]	[50.0]	[17.5]	[49.2]
D03SPB8	1.50	3.50	1.81	1.38	0.25	3.25	0.69	1.78	2.81	0.75	2.81
	[38.1]	[88.9]	[46.0]	[34.9]	[6.4]	[82.6]	[17.5]	[45.2]	[71.4]	[19.1]	[71.4]
D03SPB12	1.50	4.50	2.31	1.88	0.38	4.13	0.94	2.28	3.56	0.94	3.56
	[38.1]	[114.3]	[58.8]	[47.6]	[9.5]	[104.8]	[23.8]	[57.9]	[90.5]	[23.8]	[90.5]

Specifications, descriptions, and dimensional data are subject to correction or change without notice or incurring obligation. Download latest catalog page revisions at www.daman.com.

Ordering Information



For coating options see pages 245-246.

Material	
A	Aluminum - 6061-T6 3000† psi • 20.7 MPa
D	Ductile Iron - D4512 5000† psi • 34.5 MPa

† Working pressure should be considered in accordance with ISO 4413 to determine appropriate material type.

Product Type	
SP	Subplate

Port Location	
S	Side ported
B	Back Ported

Valve Pattern	
D03	ISO 4401-03-02 NFPA T3.5.1-D03 See Tech Information

Port Threads					
4P	0.25-18 NPTF ANSI B1.20.3				
6P	0.38-18 NPTF ANSI B1.20.3	8P	0.50-14 NPTF ANSI B1.20.3	12P	0.75-14 NPTF ANSI B1.20.3
6S	-6 SAE ISO 11926; SAE 1926	8S	-8 SAE ISO 11926; SAE 1926	12S	-12 SAE ISO 11926; SAE 1926
6B	0.38-19 BSPP ISO 1179; BS 2779	8B	0.50-14 BSPP ISO 1179; BS 2779	12B	0.75-14 BSPP ISO 1179; BS 2779
6M	M14 x 1.5 ISO 6149	8M	M18 x 1.5 ISO 6149	12M	M27 x 2.0 ISO 6149
6T	0.38-19 BSPT ISO 7; BS 21	8T	0.50-14 BSPT ISO 7; BS 21	12T	0.75-14 BSPT ISO 7; BS 21

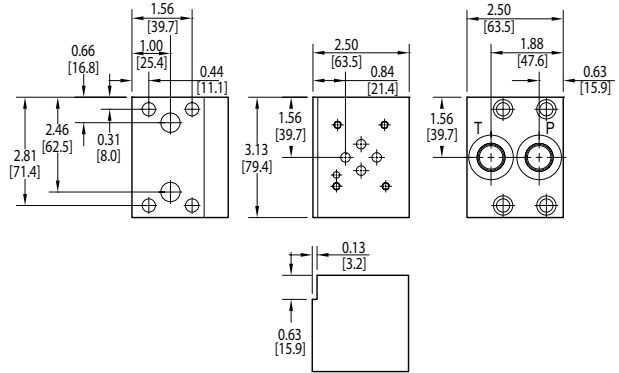
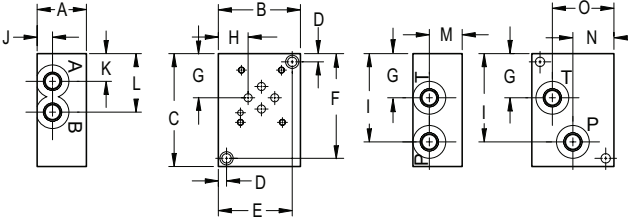
D03 Subplates

Dual Ported Subplate

Valve mtg: UNC #10-24 x 0.50 DP or
Metric M5-0.8mm ISO 6H x [12.7] DP
Subplate hardware kit is supplied.
See page 134 for itemized list.

Motor Mounted Subplate

Available with NPTF or SAE ports only.
Valve mtg: UNC #10-24 x 0.63 DP
Subplate hardware kit is supplied.
See page 134 for itemized list.



Dimension	A	B	C	D	E	F	G	H
D03SPSB6	1.50 [38.1]	2.50 [63.5]	3.44 [87.4]	0.25 [6.4]	2.25 [57.2]	3.19 [81.0]	1.34 [34.0]	0.91 [23.1]
D03SPSB8	2.00 [50.8]	2.75 [69.9]	3.75 [95.3]	0.25 [6.4]	2.50 [63.5]	3.50 [88.9]	1.34 [34.0]	0.91 [23.1]

Dimension	I	J	K	L	M	N	O
*D03SPSB6B	2.69 [68.3]	0.50 [12.7]	0.72 [18.3]	1.78 [45.2]	1.00 [25.4]	1.25 [31.8]	1.88 [47.8]
*D03SPSB6[M,P,S,T]	2.69 [68.3]	0.47 [11.9]	0.84 [21.4]	1.78 [45.2]	1.00 [25.4]	1.25 [31.8]	1.88 [47.8]
*D03SPSB8B	3.00 [76.2]	0.88 [22.2]	0.69 [17.5]	1.97 [50.0]	1.38 [34.9]	1.44 [36.5]	1.94 [49.2]
*D03SPSB8[M,P,S,T]	3.00 [76.2]	0.88 [22.2]	0.69 [17.5]	1.94 [49.2]	1.38 [34.9]	1.44 [36.5]	1.94 [49.2]

Specifications, descriptions, and dimensional data are subject to correction or change without notice or incurring obligation. Download latest catalog page revisions at www.daman.com.

Ordering Information



For **coating options**
see pages 245-246.

Material	
A	Aluminum - 6061-T6 3000 [†] psi • 20.7 MPa
D	Ductile Iron - D4512 5000 [†] psi • 34.5 MPa

[†] Working pressure should be considered in accordance with ISO 4413 to determine appropriate material type.

Product Type	
SP	Subplate

Port Location	
SB	Side P,A,B,T ports Back P & T ports
M	Motor mounting 8P or 8S ports only

Valve Pattern	
D03	ISO 4401-03-02 NFPA T3.5.1-D03 See Tech Information

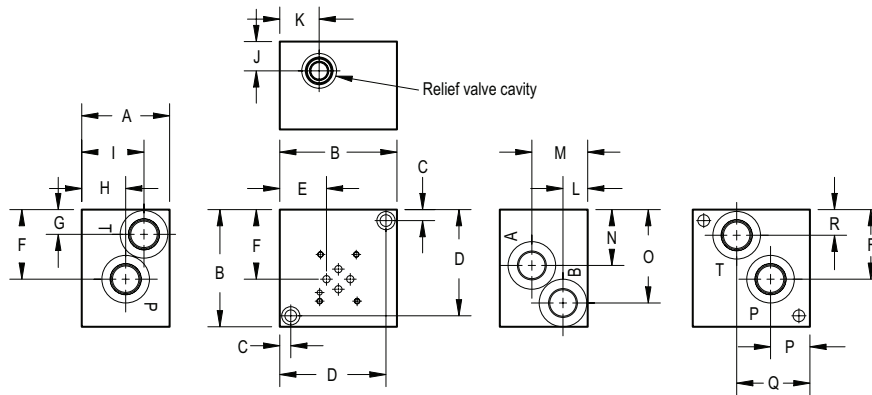
Port Threads			
Port location SB only		Port location SB or M	
6P	0.38-18 NPTF ANSI B1.20.3	8P	0.50-14 NPTF ANSI B1.20.3
6S	-6 SAE ISO 11926; SAE 1926	8S	-8 SAE ISO 11926; SAE 1926
6B	0.38-19 BSPP ISO 1179; BS 2779	Port location SB only	
6M	M14 x 1.5 ISO 6149	8B	0.50-14 BSPP ISO 1179; BS 2779
6T	0.38-19 BSPT ISO 7; BS 21	8M	M18 x 1.5 ISO 6149
		8T	0.50-14 BSPT ISO 7; BS 21

D03 Subplates with Relief Cavity

Dual Ported Subplate with Main Relief Cavity

Valve mtg: UNC #10-24 x 0.63 DP or
Metric M5-0.8mm ISO 6H x [16] DP

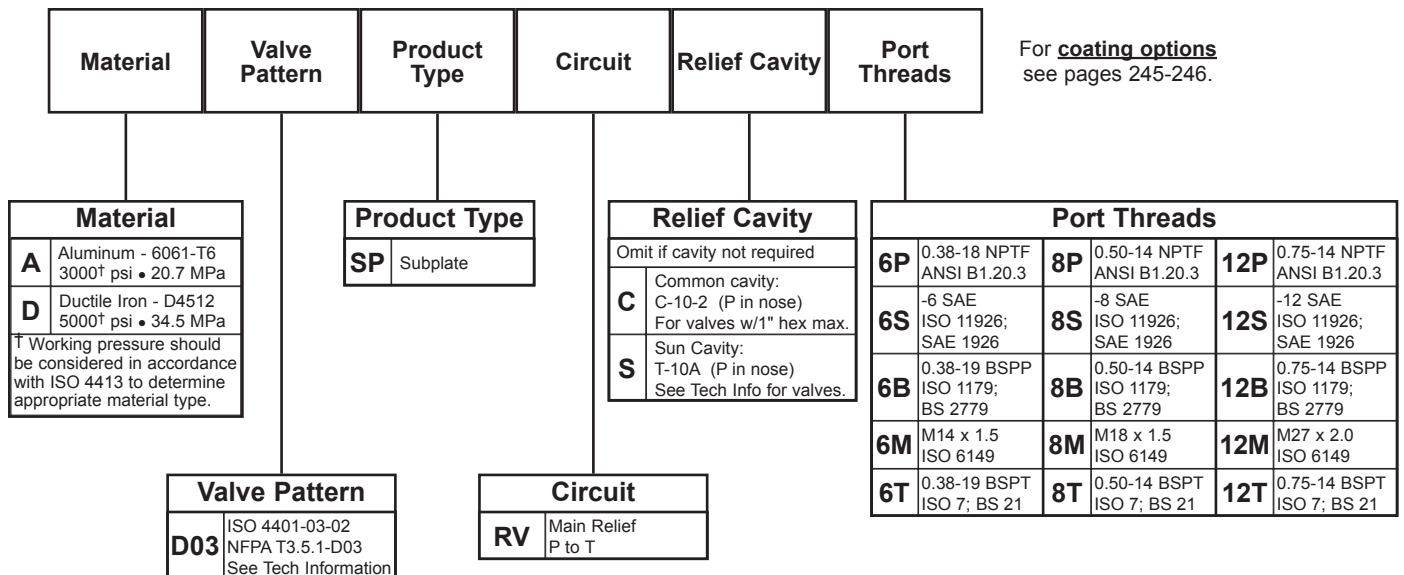
Subplate hardware kit is supplied.
See page 134 for itemized list.



Dimension	A	B	C	D	E	F	G	H	I	J	K	L	M	N	O	P	Q	R
*D03SPRV*6*	2.25 [57.2]	3.00 [76.2]	0.31 [7.9]	2.69 [68.3]	0.97 [24.6]	2.00 [50.8]	0.69 [17.5]	1.66 [42.1]	1.66 [42.1]	0.88 [22.2]	0.84 [21.3]	0.88 [22.2]	1.63 [41.3]	1.53 [38.9]	2.37 [60.2]	0.97 [24.6]	1.69 [42.9]	0.69 [17.5]
*D03SPRV*8*	3.00 [76.2]	3.50 [88.9]	0.38 [9.5]	3.12 [79.4]	1.34 [34.1]	2.19 [55.6]	0.81 [20.6]	1.50 [38.1]	2.00 [50.8]	1.00 [25.4]	1.09 [22.8]	0.84 [21.4]	1.91 [48.4]	1.72 [43.6]	2.53 [64.3]	1.09 [22.8]	2.25 [57.2]	0.81 [20.6]
*D03SPRV*12*	3.00 [76.2]	4.00 [101.6]	0.38 [9.5]	3.63 [92.1]	1.59 [40.5]	2.38 [60.3]	0.84 [21.4]	1.50 [38.1]	2.13 [54.0]	1.00 [25.4]	1.34 [34.1]	0.84 [21.4]	1.91 [48.4]	1.91 [48.4]	3.19 [81.0]	1.34 [34.1]	2.50 [63.5]	0.88 [22.2]

Specifications, descriptions, and dimensional data are subject to correction or change without notice or incurring obligation. Download latest catalog page revisions at www.daman.com.

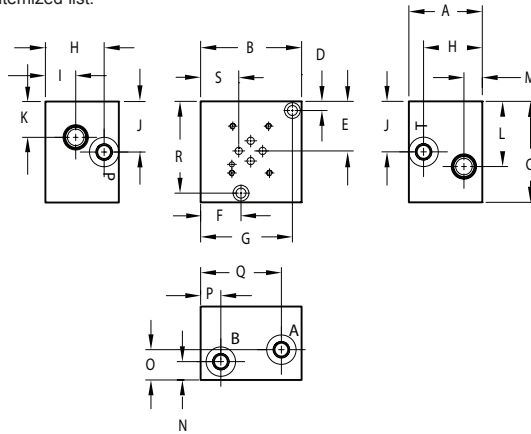
Ordering Information



D03 Subplates with Relief Cavity

Side Ported Subplate with Cylinder Port Crossover Relief Cavities

Valve mtg: UNC #10-24 x 0.63 DP or
Metric M5-0.8mm ISO 6H x [16] DP
Subplate hardware kit is supplied.
See page 134 for itemized list.



Dimension	A	B	C	D	E	F	G	H	I	J	K	L	M	N	O	P	Q	R	S
*D03SPCR*6*	2.50 [63.5]	3.50 [88.9]	3.50 [88.9]	0.31 [7.9]	1.69 [42.9]	1.41 [35.7]	3.19 [81.0]	2.00 [50.8]	1.03 [26.2]	1.72 [43.7]	1.22 [31.0]	2.22 [56.4]	0.63 [16.0]	0.63 [16.0]	1.03 [26.2]	0.69 [17.5]	2.81 [71.4]	3.19 [81.0]	1.33 [33.7]
*D03SPCR*12*	4.00 [101.6]	5.00 [127.0]	4.50 [114.3]	0.38 [9.5]	2.00 [50.8]	2.50 [63.5]	2.50 [63.5]	3.00 [76.2]	1.25 [31.8]	2.00 [50.8]	1.50 [38.1]	2.50 [63.5]	1.00 [25.4]	1.25 [31.8]	1.38 [35.1]	1.00 [25.4]	4.00 [101.6]	4.13 [104.8]	2.06 [52.8]

Specifications, descriptions, and dimensional data are subject to correction or change without notice or incurring obligation. Download latest catalog page revisions at www.daman.com.

Ordering Information

For **coating options**
see pages 245-246.

Material	Valve Pattern	Product Type	Circuit	Relief Cavity	Port Threads																																																												
<table border="1"> <thead> <tr> <th colspan="2">Material</th> </tr> </thead> <tbody> <tr> <td>A</td> <td>Aluminum - 6061-T6 3000[†] psi • 20.7 MPa</td> </tr> <tr> <td>D</td> <td>Ductile Iron - D4512 5000[†] psi • 34.5 MPa</td> </tr> <tr> <td colspan="2">[†] Working pressure should be considered in accordance with ISO 4413 to determine appropriate material type.</td> </tr> </tbody> </table>	Material		A	Aluminum - 6061-T6 3000 [†] psi • 20.7 MPa	D	Ductile Iron - D4512 5000 [†] psi • 34.5 MPa	[†] Working pressure should be considered in accordance with ISO 4413 to determine appropriate material type.		<table border="1"> <thead> <tr> <th colspan="2">Valve Pattern</th> </tr> </thead> <tbody> <tr> <td>D03</td> <td>ISO 4401-03-02 NFPA T3.5.1-D03 See Tech Information</td> </tr> </tbody> </table>	Valve Pattern		D03	ISO 4401-03-02 NFPA T3.5.1-D03 See Tech Information	<table border="1"> <thead> <tr> <th colspan="2">Product Type</th> </tr> </thead> <tbody> <tr> <td>SP</td> <td>Subplate</td> </tr> </tbody> </table>	Product Type		SP	Subplate	<table border="1"> <thead> <tr> <th colspan="2">Circuit</th> </tr> </thead> <tbody> <tr> <td>CR</td> <td>Crossover Reliefs A to B and B to A</td> </tr> </tbody> </table>	Circuit		CR	Crossover Reliefs A to B and B to A	<table border="1"> <thead> <tr> <th colspan="4">Relief Cavity</th> </tr> </thead> <tbody> <tr> <td colspan="4">Omit if cavity not required</td> </tr> <tr> <td>C</td> <td colspan="3">Common cavity: C-10-2 (P in nose) For valves w/1" hex max.</td> </tr> <tr> <td>S</td> <td colspan="3">Sun Cavity: T-10A (P in nose) See Tech Info for valves.</td> </tr> </tbody> </table>	Relief Cavity				Omit if cavity not required				C	Common cavity: C-10-2 (P in nose) For valves w/1" hex max.			S	Sun Cavity: T-10A (P in nose) See Tech Info for valves.			<table border="1"> <thead> <tr> <th colspan="4">Port Threads</th> </tr> </thead> <tbody> <tr> <td>6P</td> <td>0.38-18 NPTF ANSI B1.20.3</td> <td>12P</td> <td>0.75-14 NPTF ANSI B1.20.3</td> </tr> <tr> <td>6S</td> <td>-6 SAE ISO 11926; SAE 1926</td> <td>12S</td> <td>-12 SAE ISO 11926; SAE 1926</td> </tr> <tr> <td>6B</td> <td>0.38-19 BSPP ISO 1179; BS 2779</td> <td>12B</td> <td>0.75-14 BSPP ISO 1179; BS 2779</td> </tr> <tr> <td>6M</td> <td>M14 x 1.5 ISO 6149</td> <td>12M</td> <td>M27 x 2.0 ISO 6149</td> </tr> <tr> <td>6T</td> <td>0.38-19 BSPT ISO 7; BS 21</td> <td>12T</td> <td>0.75-14 BSPT ISO 7; BS 21</td> </tr> </tbody> </table>	Port Threads				6P	0.38-18 NPTF ANSI B1.20.3	12P	0.75-14 NPTF ANSI B1.20.3	6S	-6 SAE ISO 11926; SAE 1926	12S	-12 SAE ISO 11926; SAE 1926	6B	0.38-19 BSPP ISO 1179; BS 2779	12B	0.75-14 BSPP ISO 1179; BS 2779	6M	M14 x 1.5 ISO 6149	12M	M27 x 2.0 ISO 6149	6T	0.38-19 BSPT ISO 7; BS 21	12T	0.75-14 BSPT ISO 7; BS 21
Material																																																																	
A	Aluminum - 6061-T6 3000 [†] psi • 20.7 MPa																																																																
D	Ductile Iron - D4512 5000 [†] psi • 34.5 MPa																																																																
[†] Working pressure should be considered in accordance with ISO 4413 to determine appropriate material type.																																																																	
Valve Pattern																																																																	
D03	ISO 4401-03-02 NFPA T3.5.1-D03 See Tech Information																																																																
Product Type																																																																	
SP	Subplate																																																																
Circuit																																																																	
CR	Crossover Reliefs A to B and B to A																																																																
Relief Cavity																																																																	
Omit if cavity not required																																																																	
C	Common cavity: C-10-2 (P in nose) For valves w/1" hex max.																																																																
S	Sun Cavity: T-10A (P in nose) See Tech Info for valves.																																																																
Port Threads																																																																	
6P	0.38-18 NPTF ANSI B1.20.3	12P	0.75-14 NPTF ANSI B1.20.3																																																														
6S	-6 SAE ISO 11926; SAE 1926	12S	-12 SAE ISO 11926; SAE 1926																																																														
6B	0.38-19 BSPP ISO 1179; BS 2779	12B	0.75-14 BSPP ISO 1179; BS 2779																																																														
6M	M14 x 1.5 ISO 6149	12M	M27 x 2.0 ISO 6149																																																														
6T	0.38-19 BSPT ISO 7; BS 21	12T	0.75-14 BSPT ISO 7; BS 21																																																														