

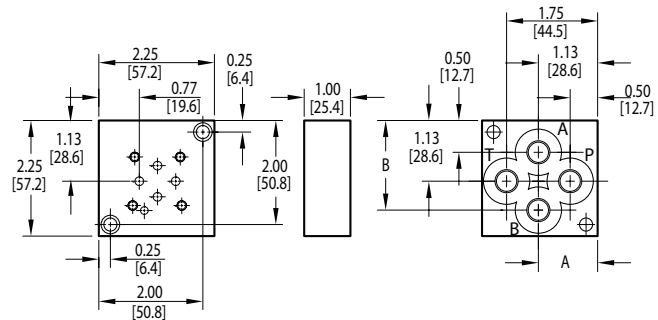
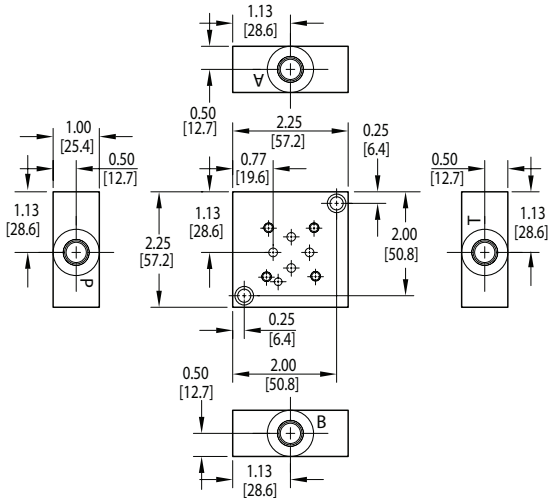
D02 Subplates

Side Ported Subplate

Valve mtg: UNC #10-24 x 0.56 DP or
Metric M5-0.8mm ISO 6H x [14] DP
Subplate hardware kit is supplied.
See page 134 for itemized list.

Back Ported Subplate

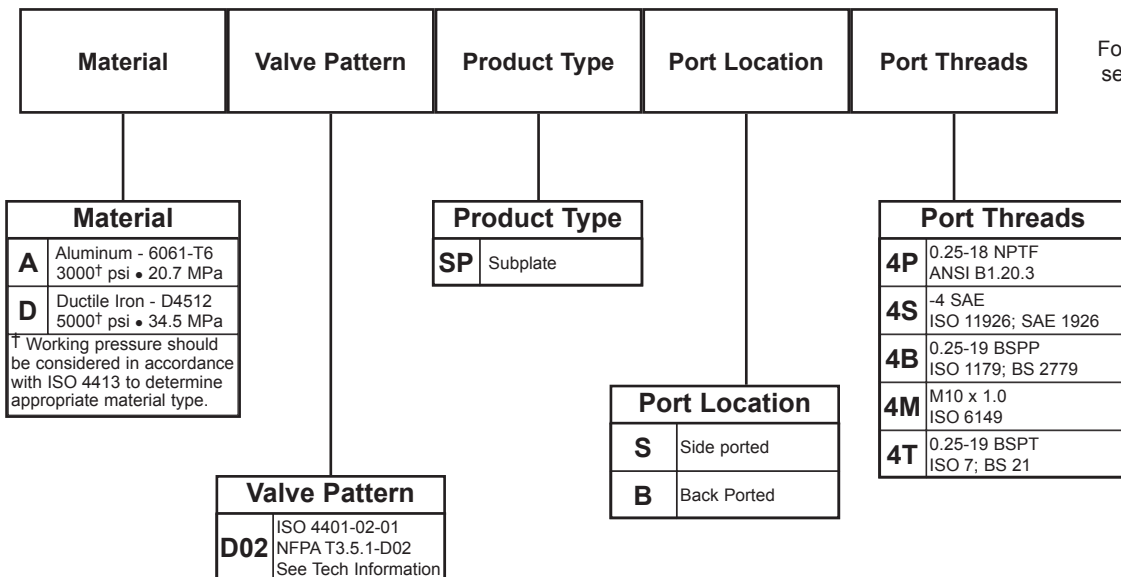
Valve mtg: UNC #10-24 x 0.56 DP or
Metric M5-0.8mm ISO 6H x [14] DP
Subplate mounting hardware is supplied.
See page 134 for itemized list.



Dimension	A	B
*D02SPB4P	1.22 [31.0]	1.88 [47.6]
*D02SPB4T		
*D02SPB4S	1.13 [28.6]	1.75 [44.5]
*D02SPB4B		
*D02SPB4M		

Specifications, descriptions, and dimensional data are subject to correction or change without notice or incurring obligation. Download latest catalog page revisions at www.daman.com.

Ordering Information



For **coating options**
see pages 245-246.