



*A more robust
and reliable
filter assembly*

F7L Series Duplex Filter Assemblies

Medium Pressure Hydraulic Filter Assemblies

Features

- 2,400 psi (166 bar) operating pressure
- 40, 80 & 100 gpm (151, 303 & 379 lpm) nominal flow rates
- SAE -24 straight thread or SAE 4-bolt flange ports
- Elements available with $\beta_{X(C)} \geq 1000$ Glas-Tech® media
- Optional visual & electrical indicators
- Self locking transfer valve
- Automatic bleed-over valve

Technical Data

Pressure & Temperature Rating

Operating Pressure:	2,400 psi (166 bar)
Proof Pressure:	3,600 psi (248 bar)
Burst Pressure:	8,000 psi (552 bar)
Operating Temperature:	-40°F to +250°F (-40°C to +121°C)

Materials of Construction

Head:	Durable Iron
Bowl:	Carbon Steel

Bypass Options

Bypass Valve Setting:	100 psid (6.9 bar) ±10%
	Non-Bypass

Differential Pressure Indicators

Visual Indicator :	75 psid (5.2 bar) ±10% activation, manual reset
Visual & Electrical Indicator:	75 psid (5.2 bar) ±10% activation 12 to 220 Volt AC/DC, 2.5 AMP, 60VA, 40W Contacts - SPST NO or NC, DIN Connector
Thermal Lockout Options:	Lockout below 70°F (21°C) Release above 95°F (35°C)

Seal Material Options

Seal Material:	Buna Viton®
----------------	----------------

Filter Assembly (Housing & Element) Weight

Size	040	080	100
Weight	68 lbs (30.8 kg)	84 lbs (38.1 kg)	98 lbs (44.5 kg)



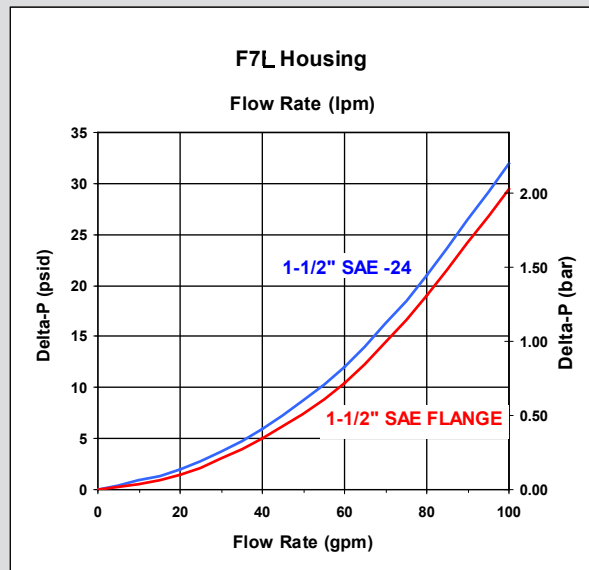
Elements

PTI filter elements are manufactured with the highest quality materials. PTI filter elements feature multi-layer construction for increased dirt-holding capacity and low pressure drop. PTI elements provide cost-effective contamination control for the most demanding applications. All elements are tested to the latest industry standards including ISO 16889 procedure for multipass efficiency testing.

Filtration Rating			
Multipass Test results per old ISO 4572 and new ISO 16889 test procedures			
Particle size (x) in microns at which the Beta Ratio (β) is greater than or equal to the indicated value (200 or 1000).			
	Per ISO 4572	Per ISO 16889	
Code	$\beta_x \geq 200$	$\beta_{x(c)} \geq 200$	$\beta_{x(c)} \geq 1000$
V	1μm	4.2μm	4.2μm
G	3μm	5μm	7μm
H	6μm	7μm	9μm
K	12μm	12μm	15μm
J	23μm	21μm	24μm

The PTI Technologies F7L series of medium pressure hydraulic filter assemblies utilize PG Series filter elements. Please refer to the PG Series Filter Element brochure for flow vs. pressure drop curves.

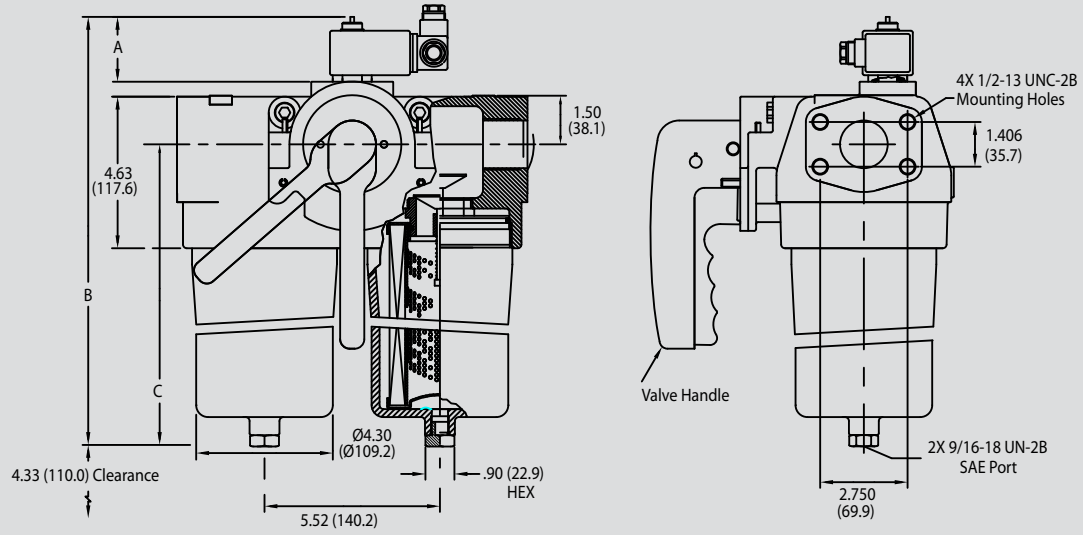
Flow Rate/Pressure Drop Curves



Pressure drop curves are based on 150 SUS (32 cSt) petroleum base hydraulic fluid of 0.9 S.G.
Filter Assembly ΔP = Housing ΔP + Element ΔP

Dimensions*

* Dimensions in inches (mm)



Dimensions

Nominal Flow	-040	-080	-081	-100
Dimension A	2.56 (65.0)	1.95 (49.5)	1.95 (49.5)	1.95 (49.5)
Dimension B	12.80 (325.1)	17.40 (442.0)	17.40 (442.0)	21.97 (558.0)
Dimension C	8.80 (223.5)	13.40 (340.4)	13.40 (340.4)	17.96 (456.2)

Ordering Information

F7L Series Filters

Assembly:

F7L	XXX	X	X	-	X	X	X	X	X	X
TBL 1	TBL 2	TBL 3	TBL 4	TBL 5	TBL 6	TBL 7	TBL 8	TBL 9		

Table 1 Size

Code	Nominal Flow
040	40 gpm (151 lpm)
080	80 gpm (303 lpm)
100	100 gpm (379 lpm)

Table 2 Filtration Rating

Code	Micron Rating	Media
V	$\beta_{4.2(c)} \geq 1000$	Glas-Tech
G	$\beta_{7(c)} \geq 1000$	Glas-Tech
H	$\beta_{9(c)} \geq 1000$	Glas-Tech
K	$\beta_{15(c)} \geq 1000$	Glas-Tech
J	$\beta_{24(c)} \geq 1000$	Glas-Tech
N	No Filter Element	

Table 3 Collapse

Code	Collapse Rating
H	300 psid (20 bar)
U	3,000 psid (207 bar)
N	No Filter Element

Table 4 Seals

Code	Material
B	Buna
V	Viton®

Viton® is a registered trademark of DuPont Performance Elastomers

Table 5 Port

Code	Option
P	1-1/2" SAE (-24)
4	1-1/2" SAE Flange Code 61*

* SAE J518

Table 6 Thermal Lockout

Code	Option
O	None
T*	Thermal Lockout - NO
U*	Normally Closed - NC

* Options only available for M code Indicator (See Table 7)

*Thermal Lockout of Electrical signal only

Table 7 Indicator

Code	Option
D	Visual 75 psid (5.0 bar) ±10% Manual Reset
M	Visual/Electrical 75 psid (5.0 bar) ±10%
P	None (Blind Plug)

Table 8 Bypass

Code	Option
L	100 psid (6.9 bar) ±10%
N	None

Table 9 Drain Port

Code	Option
X	Vent & Drain Ports

Element:

PG	XXX	-	X	X	-	X
TBL 1	TBL 2	TBL 3	TBL 4			

Table 1 Size

Code	For Use With:
050	F7L 040
080	F7L 080
120	F7L 100

Table 2 Filtration Rating

Code	Micron Rating	Media
V	$\beta_{4.2(c)} \geq 1000$	Glas-Tech
G	$\beta_{7(c)} \geq 1000$	Glas-Tech
H	$\beta_{9(c)} \geq 1000$	Glas-Tech
K	$\beta_{15(c)} \geq 1000$	Glas-Tech
J	$\beta_{24(c)} \geq 1000$	Glas-Tech

Table 3 Collapse

Code	Collapse Rating
H	300 psid (21 bar)
U	3,000 psid (207 bar)

Table 4 Options

Code	Option
Omit	Standard Element
W	DryPak™ Configuration



PTI Technologies Inc.
501 Del Norte Boulevard - Oxnard, California 93030
800-331-2701 • 805-604-3700
www.ptitechnologies.com



©2015 An ESCO Technologies Company. All Rights Reserved.

F01127 Rev.7

PTI Technologies Inc
is certified to
ISO standards