



F1L 025 Series T-Type Hydraulic Filter Assemblies

Medium Pressure Hydraulic Filter Assemblies

Features

- 2,000 psi (138 bar) operating pressure
- 25 gpm (95 lpm) nominal flow rate
- Elements available with $\beta_{X(C)} \geq 1000$ Glas-Tech® media
- SAE -16 straight thread ports
- Optional visual & visual/electrical indicators

Technical Data

Pressure & Temperature Rating

Operating Pressure:	2,000 psi (138 bar)
Proof Pressure:	3,000 psi (207 bar)
Burst Pressure:	6,000 psi (414 bar)
Operating Temperature:	-40°F to +250°F (-40°C to +121°C)

Materials of Construction

Head:	Aluminum Alloy
Bowl:	Steel

Bypass Valve

Bypass Valve Setting:	50 psid (3.4 bar) ±10% Integrated Into Housing
-----------------------	---

Differential Pressure Indicators

Visual Indicator :	32 psid (2.2 bar) ±10% activation, manual reset 32 psid (2.2 bar) ±10% activation, self reset
Visual Electrical Indicator:	32 psid (2.2 bar) ±10% activation Contacts - SPDT NO or NC, DIN Connector
Thermal Lockout Options:	Lockout below 70°F (21°C) Release above 95°F (35°C) Contacts - SPDT NO or NC, DIN Connector

Seal Material Options

Seal Material:	Buna Ethlene Propylene Viton®
----------------	-------------------------------------

Filter Assembly (Housing & Element) Weight

Size	025
Weight	8.7 lbs (4.0 kg)

*A more robust
and reliable
filter assembly*

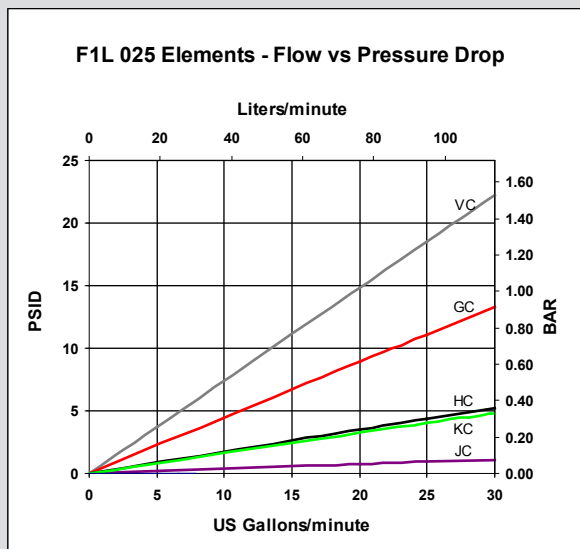
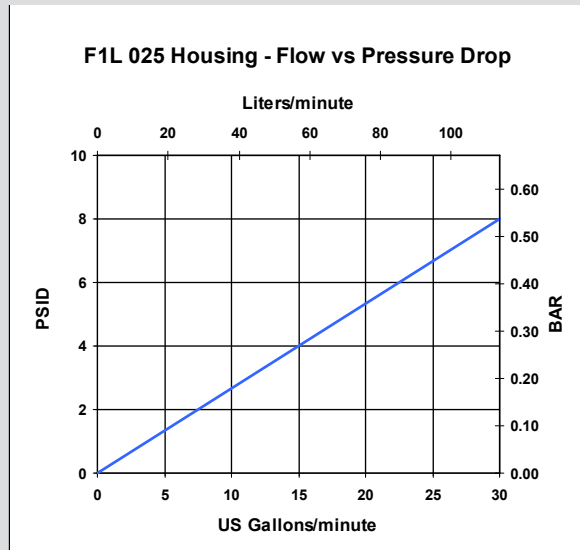


Elements

PTI filter elements are manufactured with the highest quality materials. PTI filter elements feature multi-layer construction for increased dirt-holding capacity and low pressure drop. PTI elements provide cost-effective contamination control for the most demanding applications. All elements are tested to the latest industry standards including ISO 16889 procedure for multipass efficiency testing.

Filtration Rating			
Multipass Test results per old ISO 4572 and new ISO 16889 test procedures			
Particle size (x) in microns at which the Beta Ratio (β) is greater than or equal to the indicated value (200 or 1000).			
	Per ISO 4572	Per ISO 16889	
Media	$\beta_x \geq 200$	$\beta_{x(c)} \geq 200$	$\beta_{x(c)} \geq 1000$
V	1	4.2	4.2
G	3	5	7
H	6	7	9
K	12	12	15
J	23	21	24

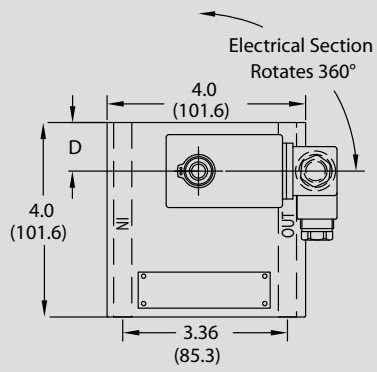
Flow Rate/Pressure Drop Curves



Pressure drop curves are based on 150 SUS (32 cSt) petroleum base hydraulic fluid of 0.9 S.G.
 Filter Assembly ΔP = Housing ΔP + Element ΔP

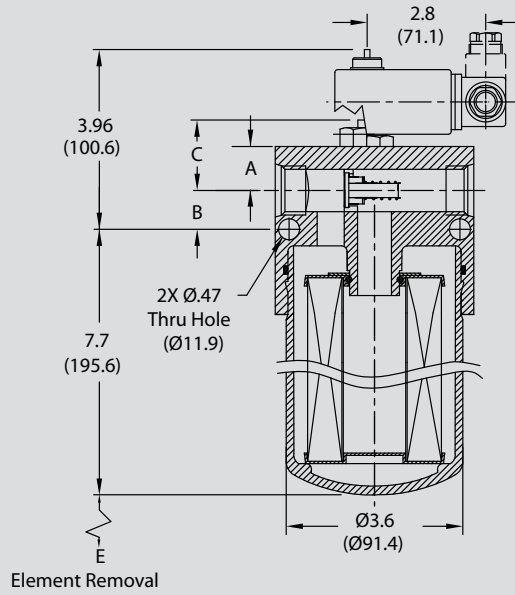
Assembly Dimensions*

* Dimensions in inches (mm)



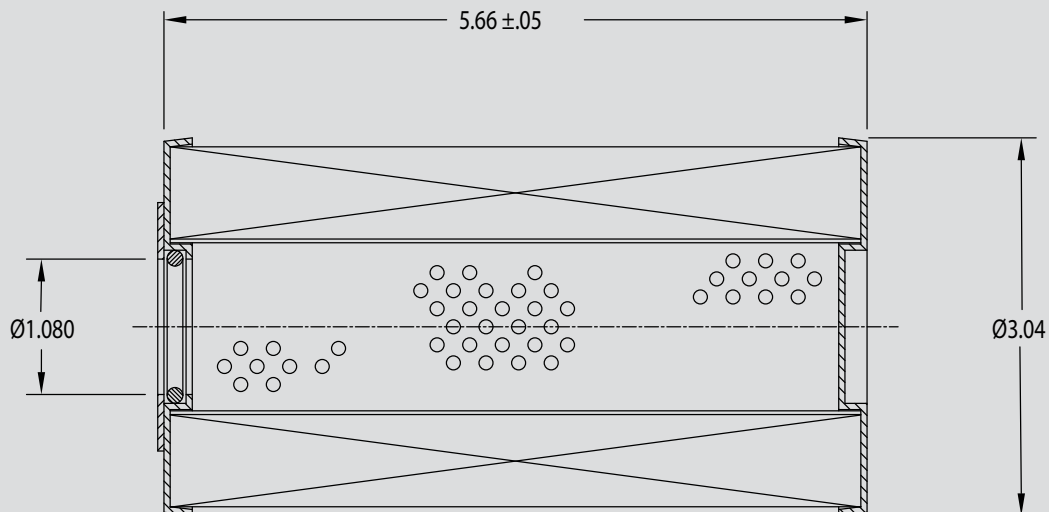
Dimensions

A	B	C	D	E
0.90	1.01	1.80	0.78	4.3
(22.9)	(25.7)	(45.7)	(19.8)	(109)



Element Dimensions*

* Dimensions in inches (mm)



Ordering Information

Assembly:

F1LXXX X X - X X X X X X

TBL 1 TBL 2 TBL 3 TBL 4 TBL 5 TBL 6 TBL 7 TBL 8 TBL 9

Table 1 Size

Code	Nominal Flow
025	25 gpm (95 lpm)

Table 2 Filtration Rating

Code	Micron Rating	Media
G	$\beta_{7(c)} \geq 1000$	Glas-Tech
H	$\beta_{9(c)} \geq 1000$	Glas-Tech
J	$\beta_{24(c)} \geq 1000$	Glas-Tech
B	3 μm	Cellulose
C	10 μm	Cellulose
D	25 μm	Cellulose
N	No Filter Element	

Table 3 Collapse

Code	Collapse Rating
C	75 psid (5 bar)
N	No Filter Element

Table 4 Seals

Code	Material
B	Buna
E	Ethylene Propylene
V	Viton®

Viton® is a registered trademark of DuPont Performance Elastomers

Table 5 Port

Code	Option
M	1" SAE (-16)

Table 6 Thermal Lockout

Code	Option
O	None
T*	Thermal Lockout - N.O.
U*	Thermal Lockout - N.C.

* Options only available for K code Indicator (See Table 7)

Table 7 Indicator

Code	Option
B	Visual 32 psid (2.2 bar) $\pm 10\%$ Manual Reset
K	Visual/Electrical 32 psid (2.2 bar) $\pm 10\%$
Q	Visual 32 psid (2.2 bar) $\pm 10\%$ Self Resetting

Table 8 Bypass

Code	Option
H	50 psid (3.4 bar) $\pm 10\%$

Table 9 Drain Port

Code	Option
N	None

Element:

F1L - 025 - X X - X

TBL 1 TBL 2 TBL 3 TBL 4

Table 1 Size

Code	Nominal Flow
025	25 gpm (95 lpm)

Table 2 Filtration Rating

Code	Micron Rating	Media
G	$\beta_{7(c)} \geq 1000$	Glas-Tech
H	$\beta_{9(c)} \geq 1000$	Glas-Tech
J	$\beta_{24(c)} \geq 1000$	Glas-Tech
B	3 μm	Cellulose
C	10 μm	Cellulose
D	25 μm	Cellulose
N	No Filter Element	

Table 3 Collapse

Code	Collapse Rating
C	75 psid (5 bar)

Table 4 Seals

Code	Material
B	Buna
E	Ethylene Propylene
V	Viton

