

LMD 951

Maximum pressure 16 - 25 bar
Flow rates to 1200 l/min



Technical data

Filter housing (Materials)

- Head: Anodised Aluminium
- Housing: Anodised Aluminium
- Manifolds: Welded - Painted black
- Bypass valve: Steel
- 3-way ball valve: Steel body - Stainless Steel ball
- Check valve: Cast Iron body - AISI 304 leaf

Pressure

- SAE + DIN Flange
- Working pressure: 16 bar (1,6 MPa)
- Test pressure: 25 bar (2,5 MPa)

Temperature

- From -25 °C to +110 °C

Bypass valve

- Opening pressure 3,5 bar ±10%
- Other opening pressures on request.

Number of filter elements

- LMD 951: 2 filter elements CU950-3

Δp Elements type

- Microfibre filter elements series N: 20 bar
- Fluid flow through the filter element from OUT to IN.

Seals

- FPM series V

LMD 951 FILTERS ARE PROVIDED FOR VERTICAL MOUNTING

Weights (kg)

- LMD951 102 (DN 80) - 130 (DN 100)

Volumes (dm³)

- LMD951 62 (DN 80) - 66 (DN 100)

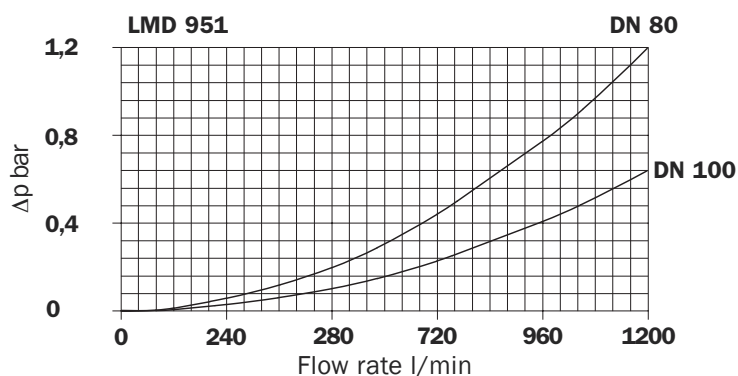
Connections

- LMD 951: In-line Inlet/Outlet
- Same side

Filter housings Δp pressure drop

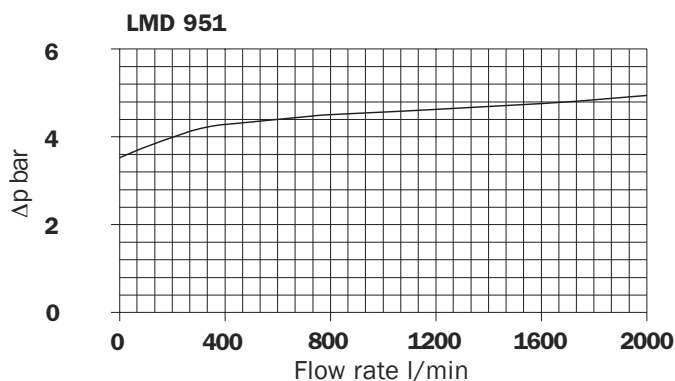
The curves are plotted utilising mineral oil with density of 0,86 kg/dm³ to ISO 3968.

Δp varies proportionally with density.



Valves

Bypass valve pressure drop

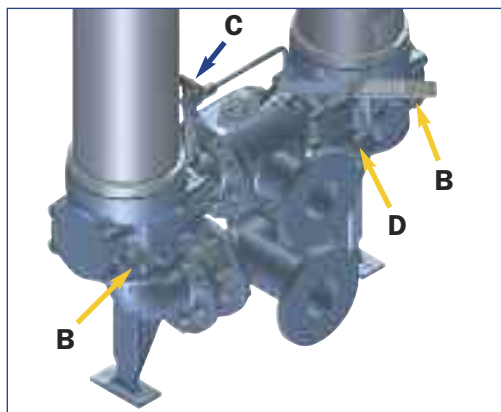
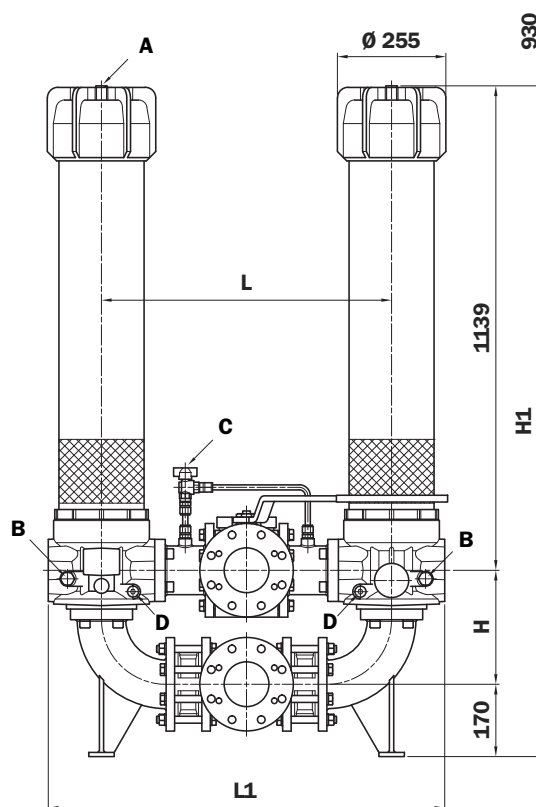
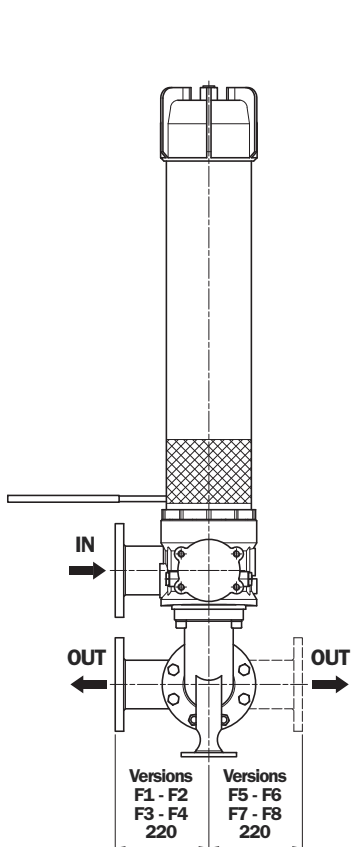


Recommended maximum flow rate

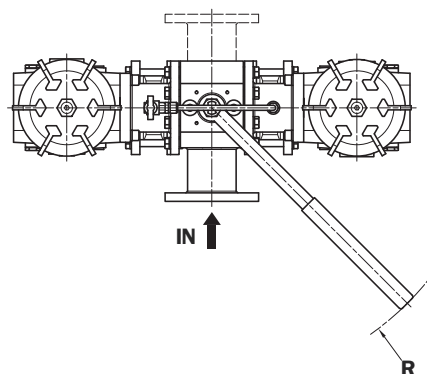
- Pressure drop of filter assembly equal to Δp 0,6 bar.
- Oil kinematic viscosity 30 mm²/s (cSt).
- Density 0,86 kg/dm³.

Leng.	Filtration					
	A03	A06	A10	A16	A25	M25
LMD 951	1	625	650	700	760	830
Connection: Flange SAE 3000 3"						
Flow rate l/min						
LMD 951	1	780	820	900	1000	1150
Connection: Flange SAE 3000 4"						
Flow rate l/min						

LMD 951



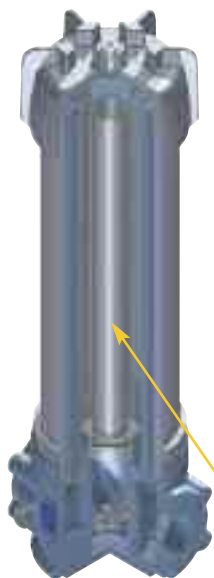
Filter fixing holes LMD 951



LMD 951

Fit one differential indicator for individual filter assembly.

Option P02 for LMD 951



Option P02 "Internal tube for reduced flow rates" is recommended for flow rates lower than:
LMD 951 - 150 l/min
The use of option P02 allows the operating fluid to fill the filter housing completely.

P02 "Internal tube for reduced flow rates"

LMD 951

Filter Length	H mm	H1 mm	L mm	L1 mm	R mm
DN 80	221	1530	588	838	370
DN 100	268	1577	682	932	650

LMD 951 - Flange DIN

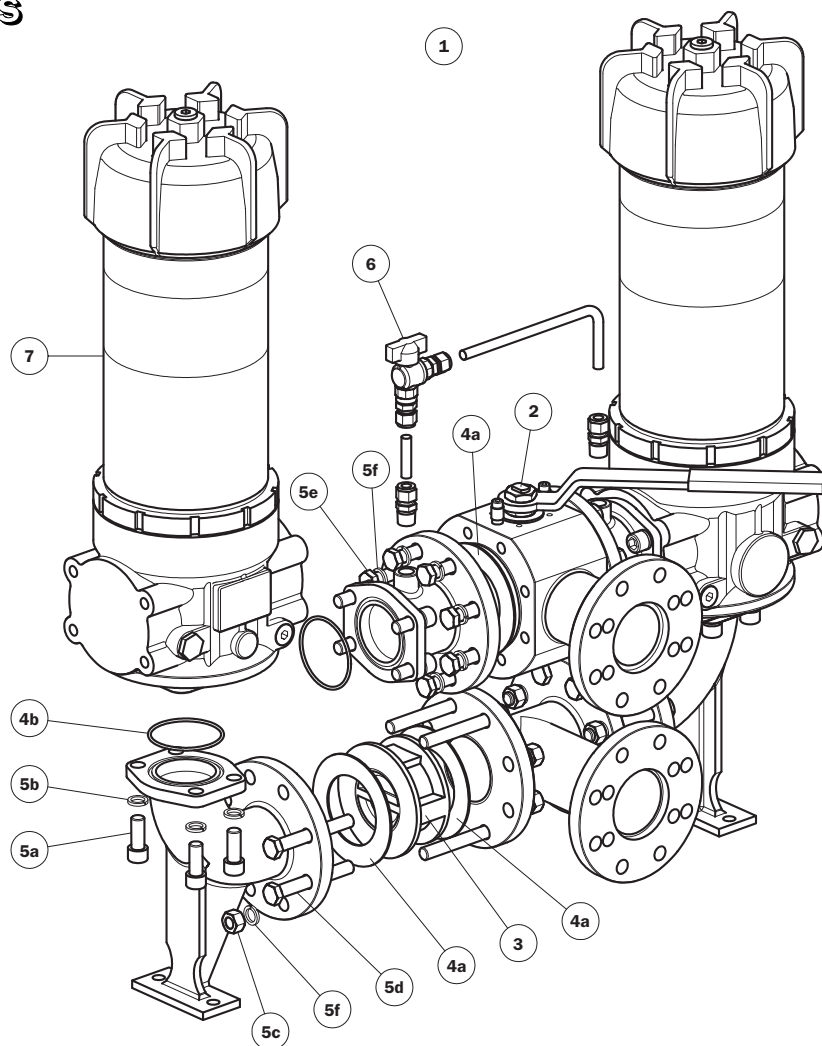
Type	Size
D1	PN 16 DN 80
D2	PN 16 DN 100
D3	= D1 In-Line connections
D4	= D2 In-Line connections

LMD 951 - Flange SAE

Type	Size
F1	3" SAE 3000 psi/M
F2	4" SAE 3000 psi/UNC
F3	3" SAE 3000 psi/M
F4	4" SAE 3000 psi/UNC
F5	= F1 In-Line connections
F6	= F2 In-Line connections
F7	= F3 In-Line connections
F8	= F4 In-Line connections

A	Breather plug G 1/2" - A/F 10
B	Indicator port Plug T2 - A/F 30
C	Compensation valve
D	Oil drain plug G 1/2" - A/F 10

Spare parts



Item	Description	Q.ty	FILTER Series	
			F1 - F2 - F5 - F6 / D1 - D3 (3" SAE / DIN PN16 DN 80)	F3 - F4 - F7 - F8 / D2 - D4 (4" SAE / DIN PN16 DN 100)
1	Filter assembly	1	See order table	
2	3-way ball valve PN 16	1	3" SAE 3000 psi/M 02001135 3" SAE 3000 psi/UNC 02001438	4" SAE 3000 psi/M 02001162 4" SAE 3000 psi/UNC 02001439
3	One-way valve	2	02001418	02001419
4	Seals kit	1	02050388	02050389
4a	Flat seal	6	In according to DN 80	In according to DN 100
4b	IN-OUT O-Ring	4	O-R 4337 Ø 85,32 x 3,53 FPM	O-R 4437 Ø 110,7 x 3,53 FPM
5	Threaded fasteners kit	1	02049056	02049057
5a	Hexagon socket screws	16	EN ISO 4072-M16x40-10.9	EN ISO 4072-M16x45-10.9
5b	Spring washers	16	DIN 7980-16	
5c	Nuts	16	EN ISO 4032-M16-10	
5d	Hexagon bolt screws	16	EN ISO 4014-M16x120-10.9	EN ISO 4014-M16x130-10.9
5e	Hexagon bolt screws	16	EN ISO 4017-M16x55-10.9	
5f	Spring washers	32	UNI 1751-B - DIN 127-B 16	
6	G 1/2" Ball Valve Kit with straight fittings	1	02025043	
7	Filter	2	See order table LMP9513xxF1/3xxxNPOx page 241	
-	Filter spare parts Item 7	2	See spare parts table LMP 951 page 240	
-	Filter seals kit Item 7	2	See spare parts table LMP 951 page 240	

Ordering information LMD 951

Filter assembly	1	2	3	4	5	6	7	8a
LMD								
Example: LMD	951	3	B	V	F1	A10	N	P01

Filter element	1	2	6	4	7	8b
CU						
Example: CU	950	3	A10	V	N	P01

1 - Style

Filter	Filter element
951	950 1 + 1 filter elements

2 - Filter length

951	3
------------	----------

3 - Valves

S	Without bypass
B	With bypass

4 - Filter seals

V	FPM
----------	-----

5 - Connections

LMD 951 - Flange DIN

Type	Size
D1	PN 16 DN 80
D2	PN 16 DN 100
D3	= D1 In-Line connections
D4	= D2 In-Line connections

LMD 951 - Flange SAE

Type	Size
F1	3" SAE 3000 psi/M
F2	4" SAE 3000 psi/UNC
F3	3" SAE 3000 psi/M
F4	4" SAE 3000 psi/UNC
F5	= F1 In-Line connections
F6	= F2 In-Line connections
F7	= F3 In-Line connections
F8	= F4 In-Line connections

6 - Filter element

A03	Inorganic microfibre 3 µm	Absolute filtration Inorganic Microfibre βx (c) ≥ 1000
A06	Inorganic microfibre 6 µm	
A10	Inorganic microfibre 10 µm	
A16	Inorganic microfibre 16 µm	
A25	Inorganic microfibre 25 µm	
M25	Wire mesh 25 µm	Nominal Filtration
M60	Wire mesh 60 µm	
M90	Wire mesh 90 µm	

7 - Max filter element differential pressure

N	Δp 20 bar
----------	-----------

8 - Option

a - Filter

P01	MP Filtri standard
P02	With internal tube for reduced flow rate
Pxx	Customer request

b - Filter element

P01	MP Filtri standard
Pxx	Customer request

For Clogging Indicator:
See page 324

MP Filtri - The filter functions as described in this bulletin are valid exclusively for original MP Filtri filter elements and replacement parts. All rights reserved.

The data in this publication are purely guideline. MP Filtri reserves the right to make changes to the models described herein at any time it deems fit in relation to technical or commercial requirements. The colours of the products shown on the cover are purely guideline. Copyright. All rights reserved.