



CLEAN OIL
BRIGHT IDEAS

Desorber D40

Water Removal from Oil - Max. 8.0 L/hour
Applications e.g.: Paper Mills, Steel Mills, Waste Oil

CJC™ Product Sheet

THE APPLICATION

CJC™ Desorber D40 is used for **removal of water from oils in**

- Paper Mills
- Steel Mills
- Waste Oil Recovery Plants
- Biodiesel Plants
- Power Industry
- Large Hydraulic Systems

The advantage of the CJC™ Desorbers is that the water removal ability is unaffected by viscosity and additive package. The Desorber treats mineral oils as well as synthetic fluids, and is even able to break stable emulsions.

The Desorber D40 is able to remove up to **8 L/h** of water, and can dry the oil down to a water content of **<200 ppm**, depending on the oil type.

Intended for:

- Oil volumes less than 25,000 L
- Viscosity range ISO VG 32-680

THE FUNCTION

The desorption process is based on the principle that heated air can effectively hold large quantities of water. In the Desorber the oil, preheated to **60-80°C**, is met by a counter flow of cold, dry air. The air is heated very quickly by the hot oil and will absorb any water present until the air is saturated.

Water in oil leads to change in viscosity, reduced filter ability, reduced lubricity, formation of rust, bacterial growth and increased degradation of the oil - all factors that lead to reduced lifetime of both system components and the oil.

FEATURES

- Removes water even from emulsified oil
- Extends the lifetime of both oil and components
- Prevents uncontrolled shut downs and reduces maintenance costs
- Easy to connect and operate



The CJC™ Desorber D40

	Dimensions CJC™ Desorber D40
Size (L x B x H)	1.4 x 1.3 x 2.1 m
Weight	975 kg
Water removal, max.	8.0 L / hour
Voltage	3 x 400 V
Frequency	50 Hz
Current	36 A
Pump Flow	1400 L/hour
Blower capacity	110 m³/h
Heat capacity	18 kW
Max rise of Temperature	+70 °C
Power consumption	25 kW
Power reduction because of heat exchanger	70 %
Cooling media	Water or air
Oil connections	DN40 / PN16
Material	Stainless steel and black steel

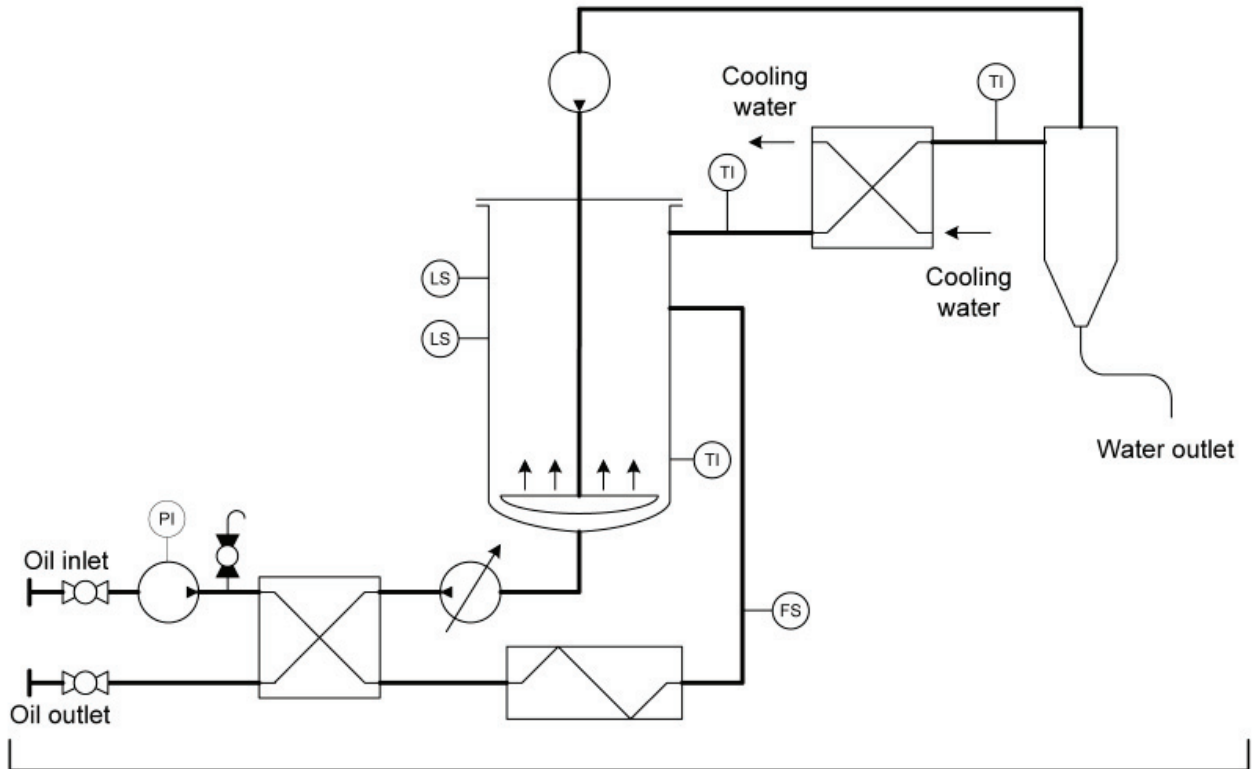



CLEAN OIL
BRIGHT IDEAS

CJC™ Product Sheet

Desorber D40

Water Removal from Oil - Max. 8.0 L/hour
Applications e.g.: Paper Mills, Steel Mills, Waste Oil



This document has been prepared by C.C.Jensen A/S of Svendborg, Denmark, and remains the property of the company. Reproduction or use this document without the consent of C.C.Jensen A/S or its subsidiaries is prohibited. All rights reserved.				
Tolerance:	 C.C.Jensen A/S Løvholmen 13, DK-5700 Svendborg Denmark FAX NO. +45 62 22 46 15 PHONE +45 63 21 20 14	Sign	Date	
Customer:		Constr.	TIK	21.01.2009
Project:	CJC Desorber D40 GP-C2DE2H1 Piping diagram	Appr.	TIK	21.01.2009
Ref.:		Rev.	Appr.	Date.
Weight:		A	TIK	21.01.2009
		Drawing no. 7000053		