

AQUAMET®

Woltmann Water Meters

50mm - 500mm (2" - 20")



AQUAMET

A removable mechanism type Woltmann Water Meter with magnetic drive and vacuum sealed register.

STANDARDS

Conforms to ISO 4064, Class-B.

APPLICATION

Water Distribution Network
Industrial / Commercial Water Supply
Boilers

FEATURES

- Leak proof and sealed totaliser
- Magnetic drive
- Repairable without interrupting water supply
- Removable mechanism ensures easy maintenance
- Totaliser protected by metallic cover.
- Reliable sensitive metrology and low pressure loss.

OPTIONS

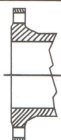
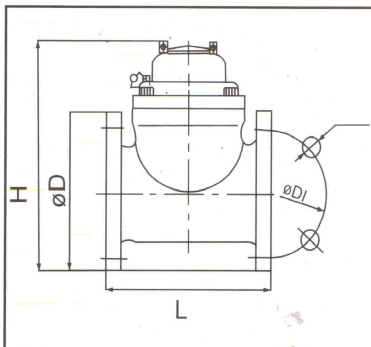
- Hot water meters (<90°C) & (<120°C)
- Pulse output water meters.
- Zenner Water Meter with EEC Mark.
- Water Meters Suitable for ETP/Dirty Water.
- Dirt Box (50mm to 500mm).
- Electro Magnetic Flow Meters (15mm to 1000mm).

METROLOGICAL PERFORMANCE:

Size of meter	Acc(%)	50mm	65mm	80mm	100mm	125mm	150mm	200mm	250mm	300mm	350mm	400mm	500mm
Minimum flow Q min	m ³ /h ±5	0.45	.75	1.20	1.80	3.00	4.50	7.50	12.00	18.00	21.00	30.00	45.00
Transitional flow Qt	m ³ /h ±2	3	5	8	12	20	30	50	80	120	160	200	300
Nominal flow Qn	m ³ /h ±2	15	25	40	60	100	150	250	400	600	800	1000	1500
Maximum flow Q max	m ³ /h ±2	30	50	80	120	200	300	500	800	1200	1600	2000	3000
Minimum Reading	m ³	0.0002	0.0002	0.0002	0.0002	0.002	0.002	0.002	0.002	0.002	0.1	0.1	0.1
Maximum Reading	m ³	→	9999999	←	→	9999999 X 10	←	→	9999999	←			
Temperature Suitability	°C	50°C											
Working Pressure	Mpa	≤1.6 MPa											

DIMENSIONS

Size of meter	50mm	65mm	80mm	100mm	125mm	150mm	200mm	250mm	300mm	350mm	400mm	500mm
Length (L) mm	200	200	225	250	250	300	350	450	500	500	600	800
Height (H) mm	232	242	252	262	290	325	352	470	492	592	631	740
Weight kg	10.6	12.6	15.4	18.6	30	31.6	46	94	114	125	199	340



FLANGE DETAILS

Size of meter	50 mm	65 mm	80 mm	100 mm	125 mm	150 mm	200 mm	250 mm	300 mm	350 mm	400 mm	500 mm
Bolt Circle (øD) mm	125	145	160	180	210	240	295	355	410	460	515	620
Dia of Flange hole	19	19	19	19	19	23	23	28	28	20	24	24
Number of Bolts	4	4	8	8	8	8	12	12	12	16	16	20
Flange outer dia (øD) mm	165	185	200	220	250	285	340	405	460	505	565	670